

Optimum™ Mortice Lock Palladium and Verona Furniture, 4 Point

ASSA ABLOY

The global leader in
door opening solutions

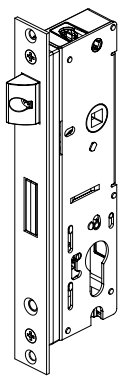
Installation Instructions

Application: Provides multipoint locking with secure deadlocking for aluminium hinged doors. Palladium Xtra furniture available with daylatch snib and LockAlert features.

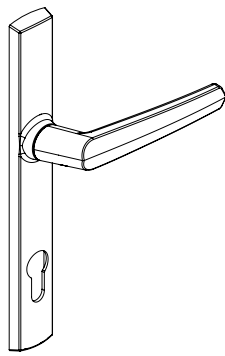
Tools Required:

- Drill
- 3.2mm Drill Bit
- 10.0mm Drill Bit
- 20.0mm Drill Bit
- Phillips Screwdriver #2
- Square Screwdriver #1

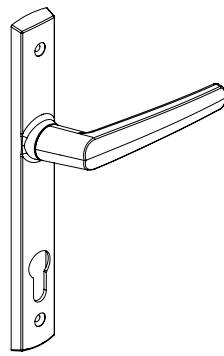
Pack Contents



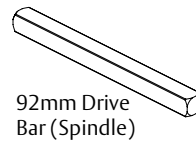
4-Point Lock



Exterior Furniture
(Aria Furniture shown)

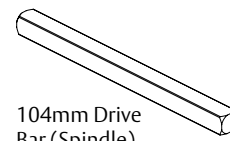


Interior Furniture
(Aria Furniture shown)

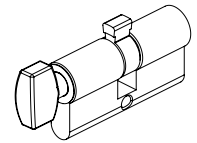
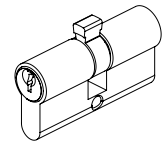


92mm Drive
Bar (Spindle)

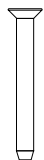
or



104mm Drive
Bar (Spindle)



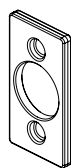
M4 Furniture fixing screws



M5 Cylinder fixing screw



8g x 7.5 Screws



2mm Latch Packer



Latch wear pad



Shootbolt Rod
1.3m



Shootbolt Rod
1.0m



Steel 'D' Tip

or



Plastic 'D' Tip



Steel Rod Tip Pin

Screw Selection

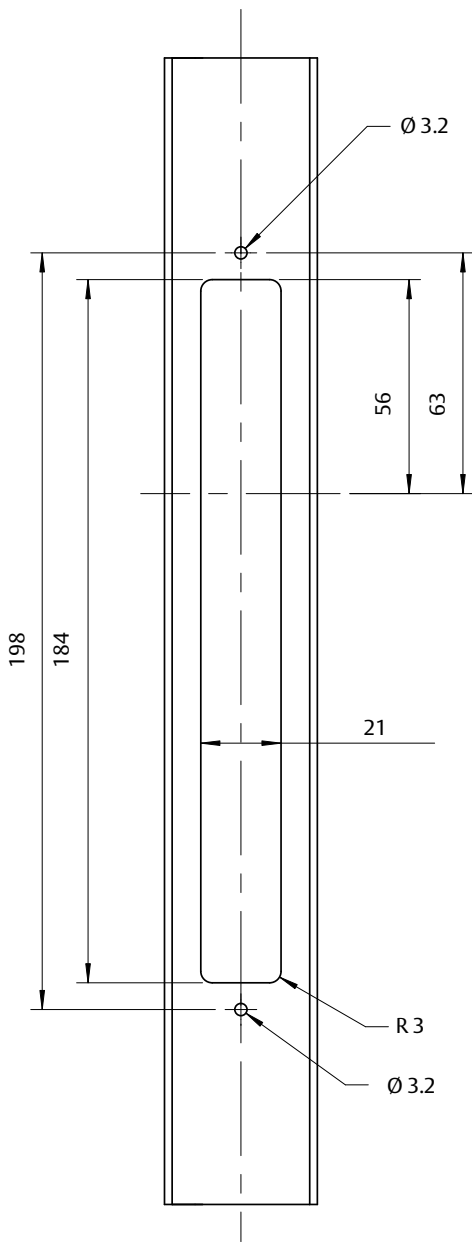
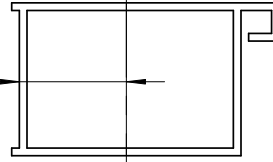
| Screw | Stile Width |
|-----------|-------------|
| M4 x 49mm | 38 - 43mm |
| M4 x 55mm | 43 - 49mm |
| M4 x 60mm | 46 - 55mm |
| M4 x 65mm | 55 - 58mm |

1. Door Preparation

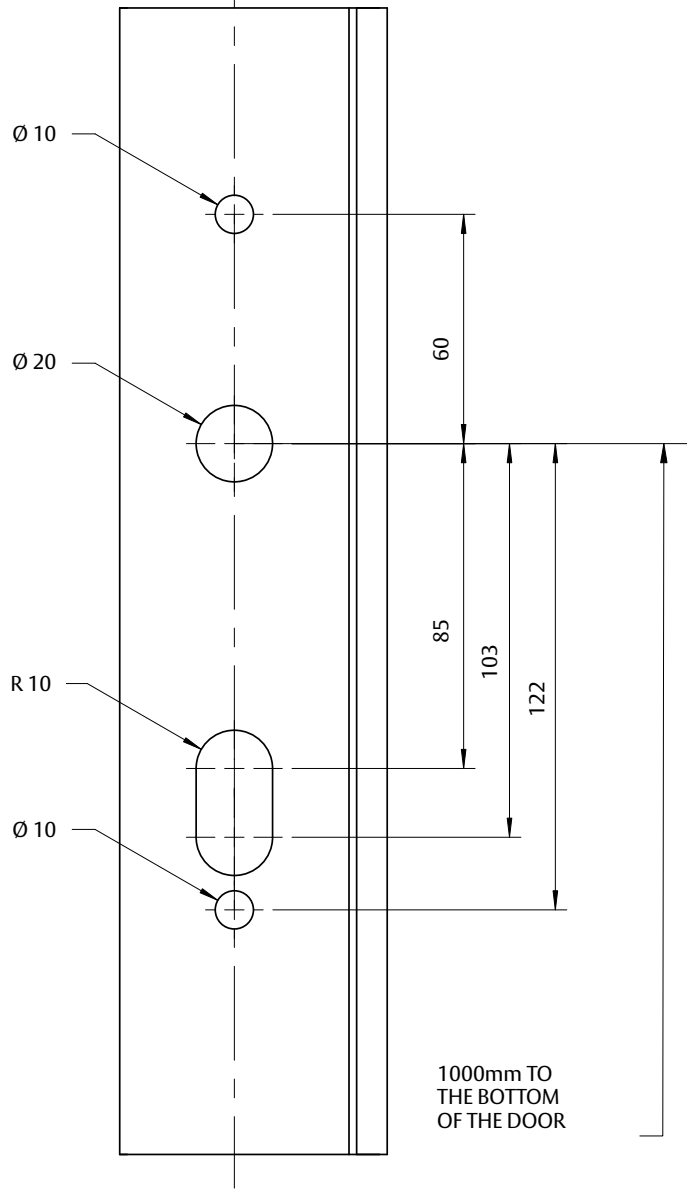
Route the door as shown in the routing diagram.

- 30mm BACKSET ROUTING IS 28mm FROM FACE
- 40mm BACKSET ROUTING IS 38mm FROM FACE
- 50mm BACKSET ROUTING IS 48mm FROM FACE
- 60mm BACKSET ROUTING IS 58mm FROM FACE

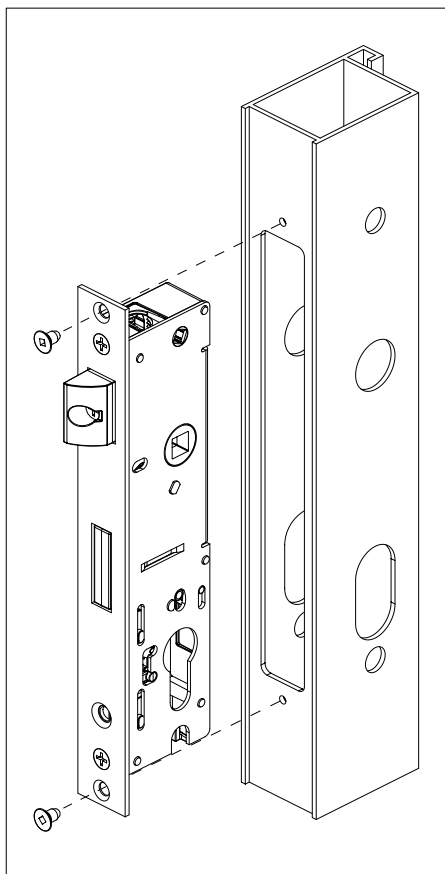
TOP VIEW OF STILE



FRONT VIEW OF STILE

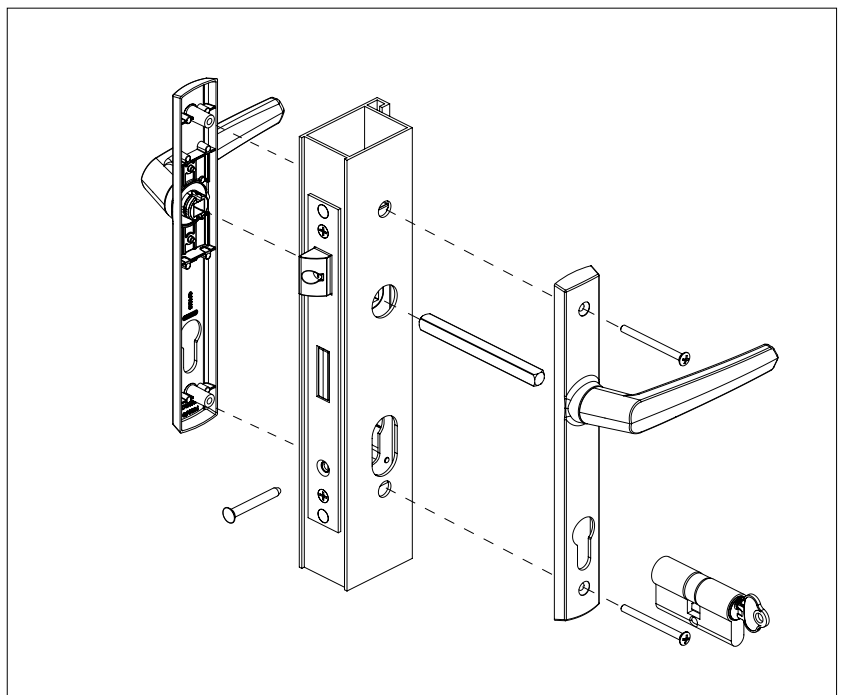


SIDE VIEW OF STILE



2. Fixing Lock

- Place the lock assembly into the stile
- Fix the lock onto the stile using the two 8g x 7.5 screws



3. Fixing Furniture and Cylinder

- Insert the drive bar (spindle) through the square drive hole in the lock
- Place the furniture onto the drive bar. For security, ensure the interior handle is on the inside of the house
- Place the cylinder through the cylinder hole
- Fix cylinder using the M5 cylinder fixing screw as supplied
- Fix together the furniture using the two M4 furniture fixing screws. See screw selection chart to determine correct screw length

Note: If fixing Palladium Xtra Furniture with daylatch snib and LockAlert, refer to separate Palladium Xtra Furniture instructions enclosed.

4. Assembly of Shootbolt Rod Ends

Trim the lock rods to length allowing for:

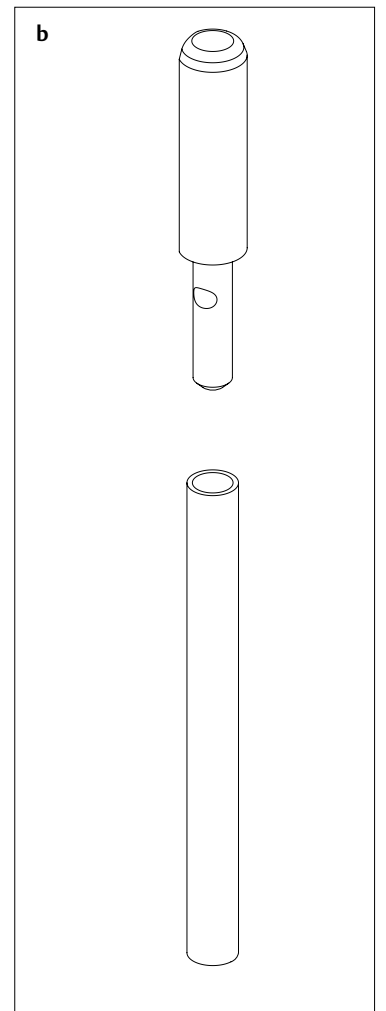
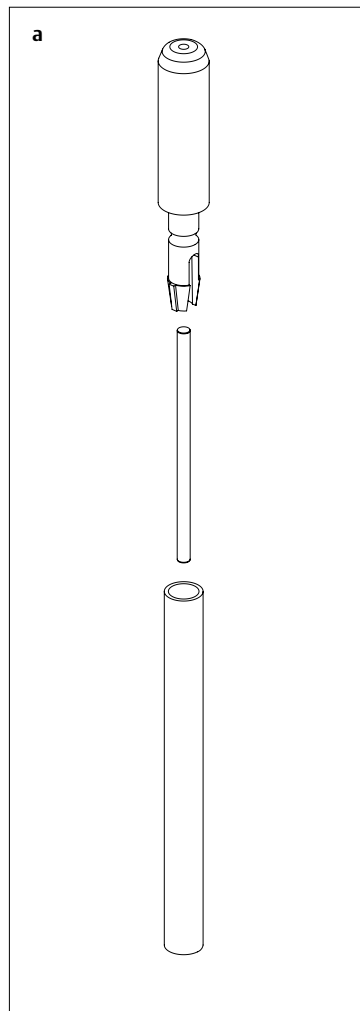
- A throw of 18mm
- Length of 'D' tip 44mm
- Engagement into lock racks of 11mm

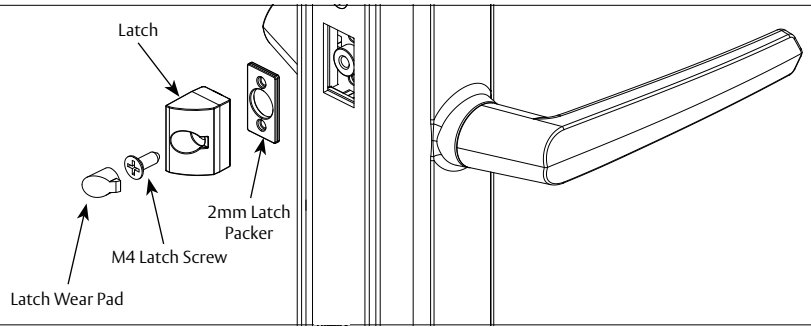
a) Plastic Rod Ends

- Insert the steel pin into the plastic 'D' tip. The steel pin should be inserted from the open end rather than the smaller drainage hole
- Insert the combined part into the top of the shootbolt rod
- Crimp the shootbolt rod, by applying pressure on the shootbolt rod in line with the groove around the 'D' tip to ensure the two parts cannot be easily separated. A tool is available for this purpose (P84042)
- Repeat steps 1-3 again for the bottom shootbolt rod
- Insert the rods from the top and bottom of the stile and screw into the lock

b) Stainless Steel Rod Ends

- Insert the supplied stainless steel 'D' tips into the top of the shootbolt rod
- Crimp the shootbolt rod, by applying pressure on the shootbolt rods in line with the 'D' tip shank to ensure the two parts cannot be easily separated. A tool is available for this purpose (P84042)
- Repeat steps 1-3 again for the bottom shootbolt rod
- Insert the rods from the top and bottom of the stile and screw into the lock

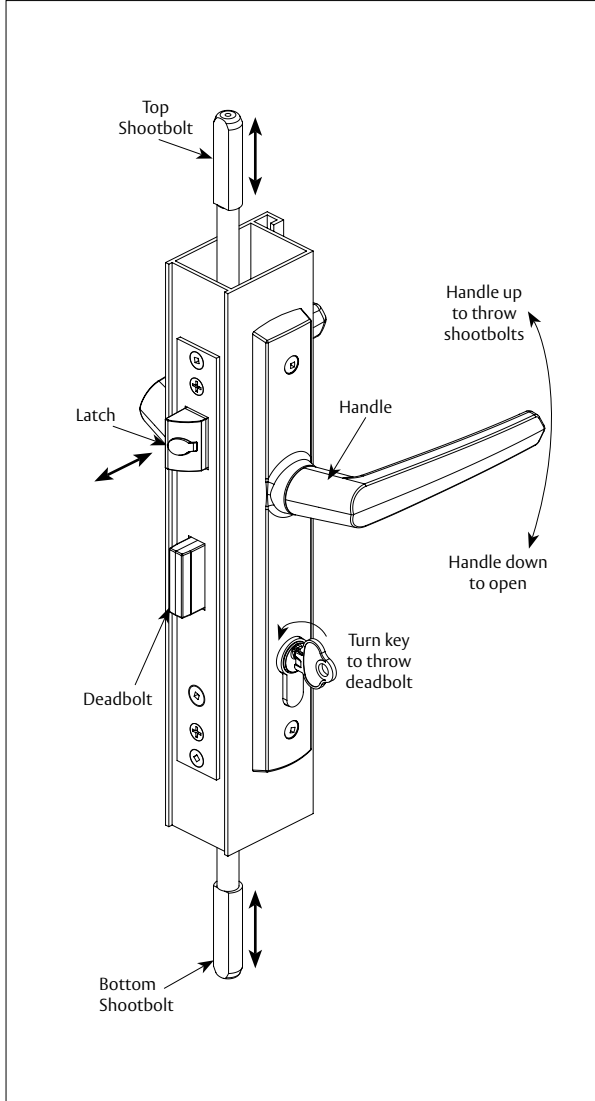




5. Latch Reversal

- Turn cylinder to lock latch
- Undo the M4 latch screw
- Reverse the latch as desired
- Refasten the M4 latch screw to secure the latch
- Insert the latch wear pad

Note: 2mm Latch Packer is provided to allow for latch projection adjustment. An additional 2mm packer is available for purchase.



6. Lock operation

Deadlocking Operation

- Pull the door shut. The door will self-latch
- Turn the key towards the edge of the door to deadlock
- The door is now secure from exterior and interior

Shootbolt Operation

- Lift the handle to engage the shootbolts (either when door is unlocked or locked)
- To retract the shootbolts ensure door is unlocked. Push the handle down and release

Opening Operation

- Turn the key away from the door edge to deactivate the deadlock
- If shootbolts are engaged, push handle down and release
- Retract the latch

| Troubleshooting | |
|---------------------------------------|---|
| Do I need to tap holes? | No. All screws are self tapping. |
| The furniture screws do not tighten | Ensure the screws line up with the screw boss on the exterior handle. |
| Do I have to use the supplied screws? | For best performance, it is recommended that only the supplied screws are used. |
| The key function does not operate | Ensure the motion of the latch is not restricted. Ensure the shootbolts are either fully engaged or fully retracted. |

WARRANTY

ASSA ABLOY New Zealand Ltd ("ASSA ABLOY") guarantees its products against defects in workmanship and materials.

If within 10 years of purchase a product is found to be defective, ASSA ABLOY will supply the same or equivalent product free of charge.

All electrical and electronic components used in ASSA ABLOY's range of products excluding batteries are guaranteed for a period of 12 months from the date of proof of purchase, unless stated otherwise.

ASSA ABLOY assumes no liability under the guarantee for the following:

1. Improper installation or failure to follow fitting instructions.
2. Failure due to improper maintenance.
3. Fair wear and tear.
4. Indirect or consequential loss or damage.
5. Cost of removal and/or replacement.
6. Cost of freight and/or travelling time.
7. Damage to or deterioration of plated finishes (soft finishes). As deterioration is possible under some environmental conditions, these finishes are excluded from this guarantee.
8. Any modification or repairs to a product, as supplied, unless authorised by ASSA ABLOY.
9. Use of replacement parts other than authorised parts.
10. Malfunction or failure of the product due to the use of non-genuine ASSA ABLOY parts.

Nothing in the ASSA ABLOY New Zealand Limited Warranty excludes, restricts or modifies any condition, warranty, right or liability implied or protected by law where to do so would render the Warranty, or any part of it, void.

10
YEAR
WARRANTY

