

L7714SDSIL Sliding Door Closer

LOCKWOOD

ASSA ABLOY

Installation Instructions

Application: Automatically closes sliding doors.

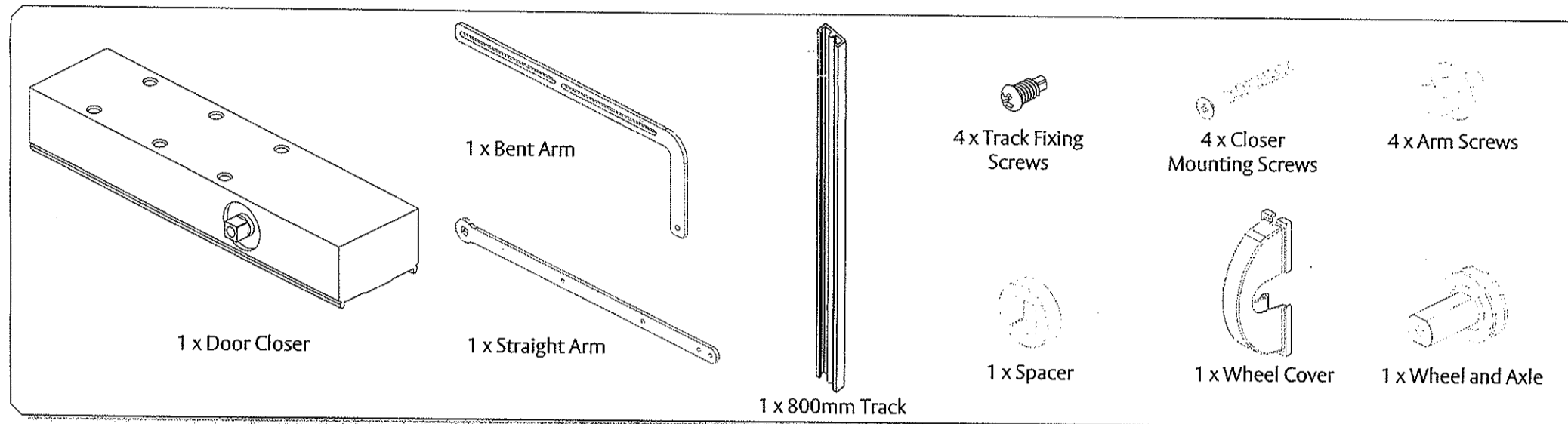
Door Specifications:

- Maximum Door Height 2500mm
- Maximum Door Width 1200mm
- Maximum Door Weight 60kg
- Minimum Reveal Depth (Door Frame Thickness) 70mm

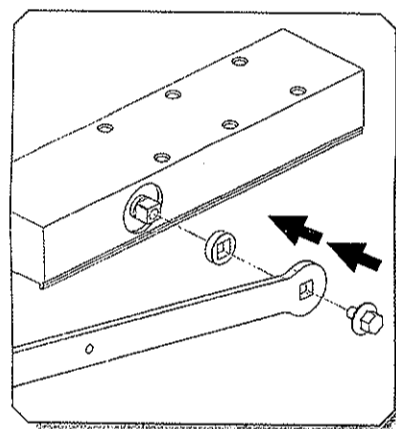
Tools Required:

- 5mm Hexagonal Allen Key
- Adjustable Spanner
- Drill
- 2.5mm Drill Bit
- 3.0mm Drill Bit
- Phillips Screwdriver
- Flat Head Screwdriver

Pack Contents



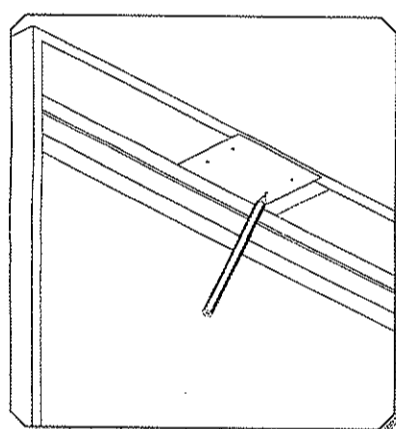
1. BEFORE BEGINNING, MAKE SURE THAT THE SLIDING DOOR IS CLEAN AND FREE SLIDING. Clean dust and debris from the track. See reverse for the sliding door troubleshooting guide.



2. ASSEMBLE THE DOOR CLOSER AND STRAIGHT ARM

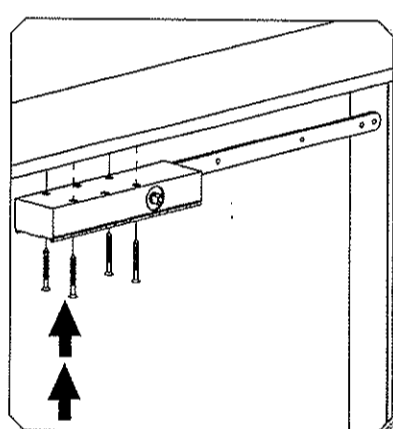
- Place the spacer onto the square drive shaft.
- Secure the straight arm onto the Closer unit using the arm screw.

Note: Arm Orientation - The Straight Arm square hole has been designed with a 10° pre-load. Ensure that the straight arm points away from the side of the closer that the cover plate attaches to.



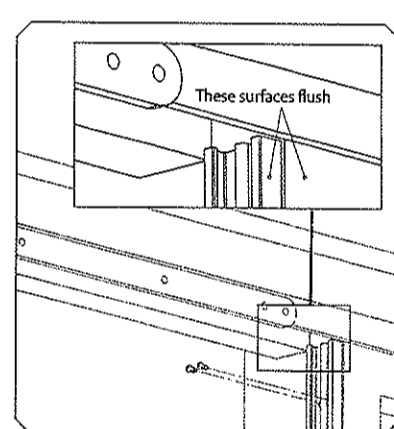
3. MARK POSITION

- Measure half the length of the stationary panel and with a pencil draw a line 90° on the reveal.
- Cut out the template supplied over page. Align the edge of the template against the line you drew on the side facing away from the sliding panel.
- Mark the position of the screw holes according to the template and drill Ø3mm holes.



4. INSTALL THE DOOR CLOSER

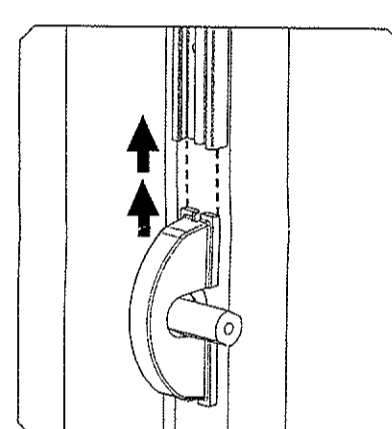
- Install the Door Closer onto the timber door reveal using the closer mounting screws



5. INSTALL THE TRACK

- **Note: Remove screw cover plug on the back of the door panel before attaching track.**
- Line up the track with the edge of the sliding door recess and flush with the inside surface of the sliding panel.
- Drill four Ø2.5mm holes into the back of the door.
- Secure the top of the track only with two of the four track fixing screws.

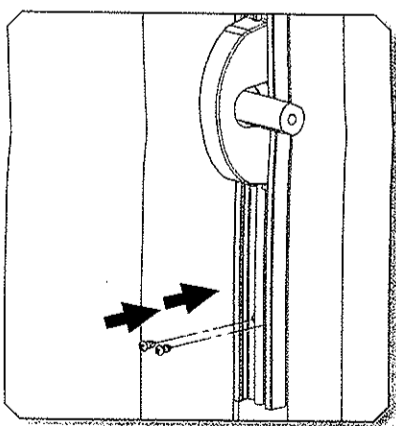
Note: To secure position - A length of double sided tape will help hold the track in position while drilling holes.



6. MOUNT THE WHEEL ONTO THE TRACK

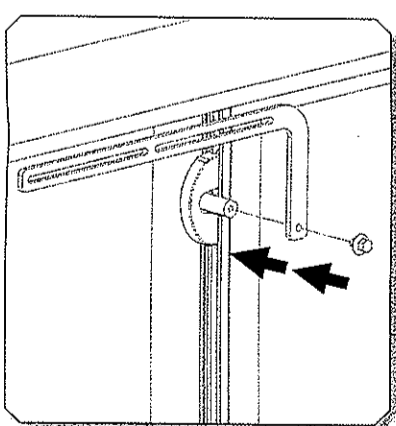
- Slide the wheel, axle and wheel cover up into the track from the bottom.

Note: Ensure axle is pointing out away from glass.



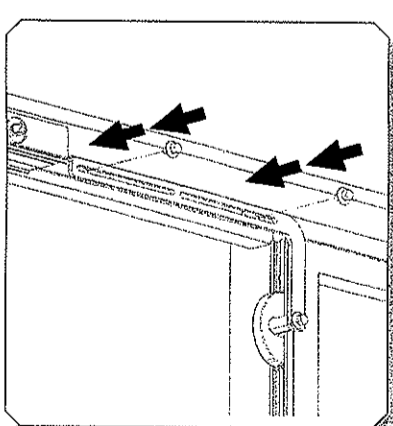
7. FIX TRACK

- Fix the bottom of the track in position using 2 x track fixing screws.



8. ASSEMBLE THE WHEEL ONTO THE BENT ARM

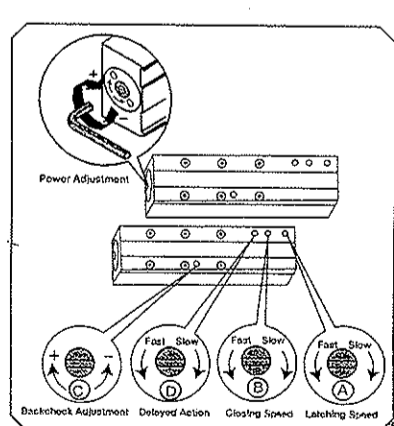
- Place a spanner around the axle to hold it stationary and fix the arm screw tightly.



9. SECURE THE BENT ARM ONTO THE STRAIGHT ARM

- Loosely do up the arm screws in two of the four holes provided, as far apart as possible.
- Adjust the overall length of the arm assembly so that it stays horizontal when the door is closed, without hitting the timber reveal.
- Tighten the screws fully.

Note: Important - Attempt to do this only once as the tightened screws will damage the surface finish.



10. ADJUST SPEED

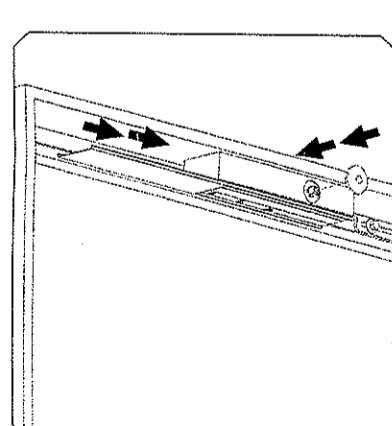
- Use a flat head screwdriver to adjust the speeds.
- Use a 5mm hexagonal allen key to adjust the power.
- Check the operation of the door and readjust as necessary.

Note:

Backcheck Adjustment: Increases or decreases cushioning when opening the door
Delayed Action: Increases or decreases hold open time

Closing Speed: Adjusts the speed at which the door closes

Latching Speed: Adjusts the speed at the end of the closing operation



11. FINISHING

- Slide closer cover into position.
- Press cap over exposed square spindle.

L7714SDSIL Sliding Door Closer

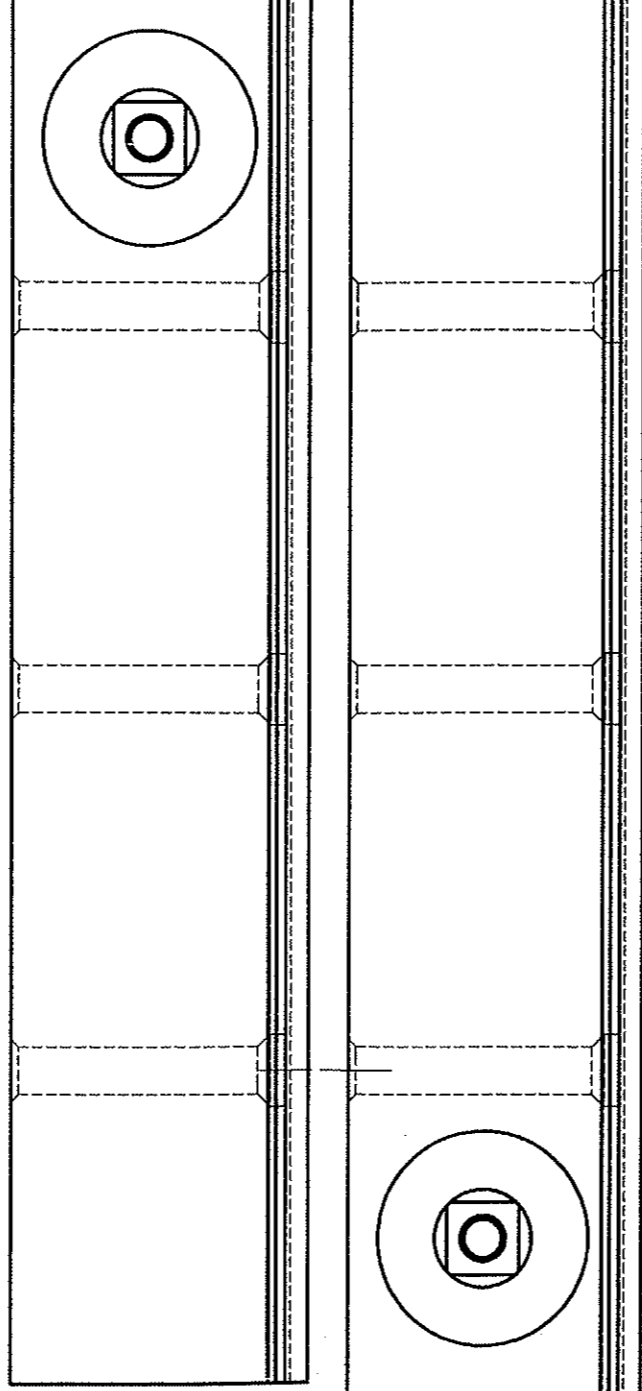
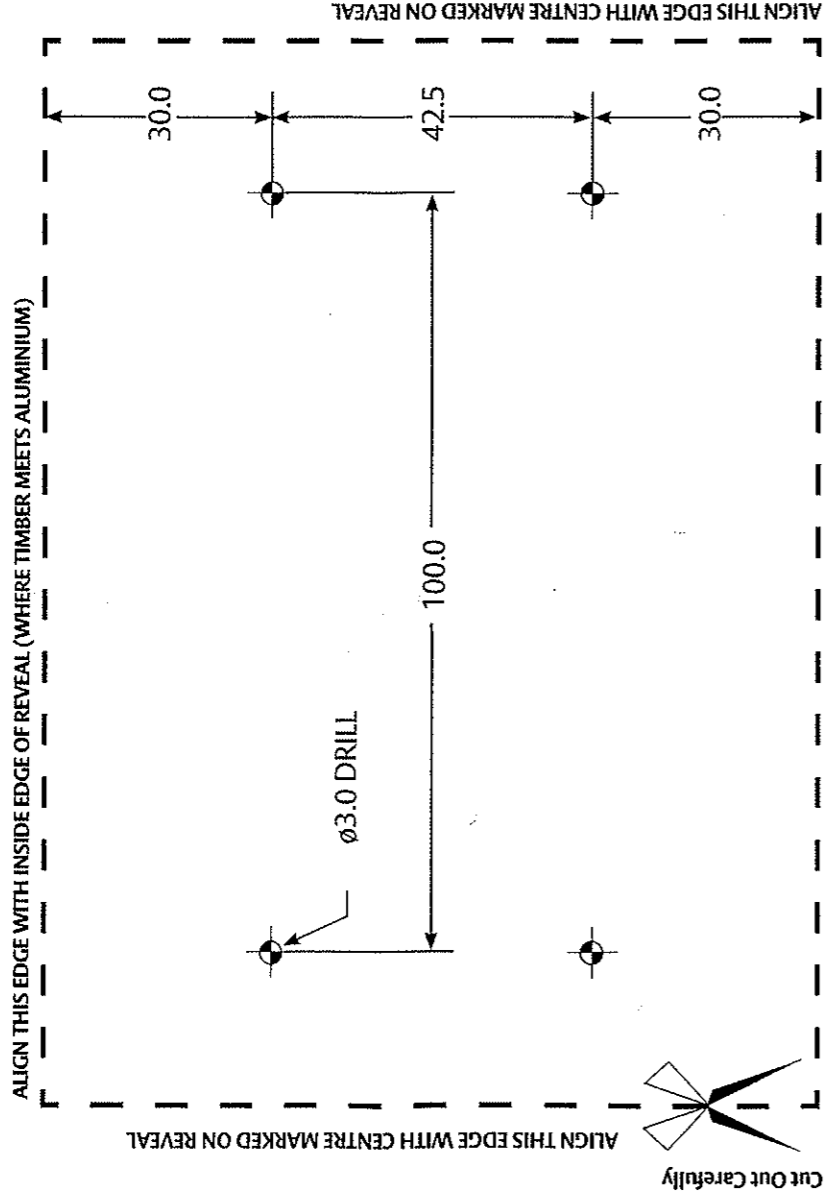


ASSA ABLOY

Screw Hole Template

To Use

- Cut out the template following the perforated line
- Follow Step 3.



SLIDING DOOR TROUBLESHOOTING GUIDE

Problem	Reason	Possible Remedy
Door does not close at all	Closer speed adjustment screws (B) are wound in too far.	Adjust as per Step 10.
	Power adjustment set too low.	Adjust as per Step 10.
	Debris caught beneath the sliding door.	Clean the track using vacuum cleaner and ensure it is free of debris.
	Rollers do not roll properly.	Adjust rollers if possible, otherwise contact your door maintenance service company.
Door slams shut.	Sliding Door brush seals are too stiff	Contact your door maintenance service company.
	Incorrect adjustment of latching speed (A)	Adjust latching speed screw (A) to slow final closing.
Full door opening movement restricted.	Backcheck adjustment is wrong.	Adjust backcheck adjustment screw (C) fully to minus (-) as per Step 10.

GUARANTEE

ASSA ABLOY Australia Pty Limited ("ASSA ABLOY") warrants its Lockwood products against defects in workmanship and materials, subject to the limitations and exclusions set out in this Warranty. If, within the normal working life of a product, it is found to be defective, and none of the limitations and exclusions set out in this Warranty apply, ASSA ABLOY will supply the same or equivalent product free of charge. This is the only remedy granted by ASSA ABLOY under this Warranty. Limitations: All electrical and electronic components used in ASSA ABLOY's Lockwood range of products (excluding batteries) are guaranteed for a period of 12 months from the date of proof of purchase, unless stated otherwise. Exclusions: This Warranty does not cover: 1. Damage to or malfunction or failure of the Lockwood product caused or contributed to by: (a) improper installation or failure to follow fitting instructions; (b) improper maintenance; (c) fair wear and tear; (d) any modification or repair which has not been authorized by ASSA ABLOY; (e) use of substitute or replacement parts or cylinders other than genuine ASSA ABLOY parts or cylinders; or (f) use of batteries other than those specified by ASSA ABLOY. 2. The cost of: (a) removal and/or replacement of the Lockwood product; (b) freight and/or travelling time; (c) replacement batteries; or (d) any modification or repairs to a Lockwood product, unless authorised by ASSA ABLOY. 3. Damage to or deterioration of the plated finishes Florentine Bronze, Architectural Bronze, Polished Brass, Gold and Satin Brass, which are classified as soft finishes, and are subject to deterioration under some environmental conditions. 4. Personal injury, property damage or economic loss, however caused. Symmetry™ 5 Year Finish Warranty ASSA ABLOY Australia Pty Limited will replace five-year branded Symmetry product if within five years from the proven date of purchase it tarnishes, discolours or corrodes when properly installed and subject to no more than fair wear and tear.

Symmetry™ Everbrass® Warranty Everbrass® product is coated both on the exterior and interior surfaces with a lifetime anti-tarnish finish. ASSA ABLOY Australia Pty Limited will replace Everbrass® branded product if it corrodes, tarnishes or discolours when properly installed and subject to no more than fair wear and tear.

This Warranty is in addition to and not in substitution for any rights of the purchaser under the Trade Practices Act and state or territory legislation.

