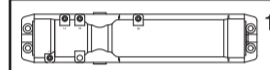










**ASSA ABLOY**  
2616SSS/SIL DOOR CLOSER  
Installation instruction

This package contains

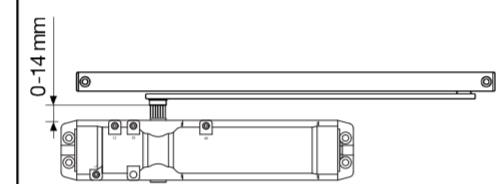
-  1 pc Door Closer body + drilling template
-  1 pc Cover
-  1 pc Grooved spindle
-  1 pc Bushing for the spindle
-  1 pc M6 x 16 machine screws
-  4 pcs M5 x 16 machine screws
-  4 pcs 4,8 x 38 screws

Installation procedure

1. Choose the installation method. See the installation example and frame depth limitations in the template.
2. Attach the drilling template and drill and tap holes. Note the arm height adjustment possibility. If necessary you can move the closer or arm max. 14 mm further apart.
3. Remove the door closer's plastic cover according to the instructions and install the closer.
4. Remove the rail cover by sliding it out of the rail. Check that sliding piece remains in the rail. If needed push the hold open device 2516-152 and/or opening damper 2516-153 in the rail (accessories). Push the end caps into the rail ends and fix the rail.
5. Fix the arm on the spindle.

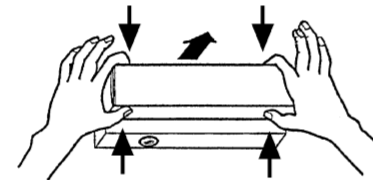
6. Pre-set the spring force and fix the arm to the sliding piece.
7. Adjust the closing speeds (L and C) and back check (B) according to the door application.
8. Replace the door closer cover and attach the logo. Attach the rail cover by pushing it onto the rail.

**2. Arm height adjustment**

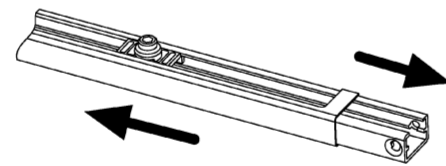


**3. Cover**

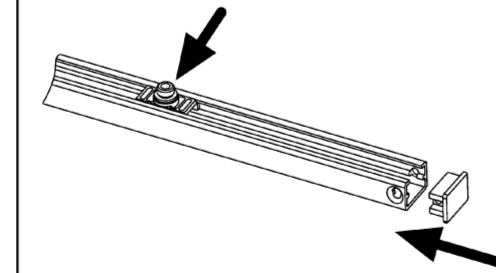
Removal of the cover:



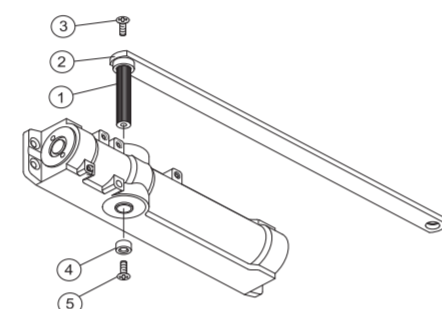
**4.1 Removal of the rail cover if supplied**



**4.2 Refitting the end caps**



**5. Assembly of the arm to the closer**

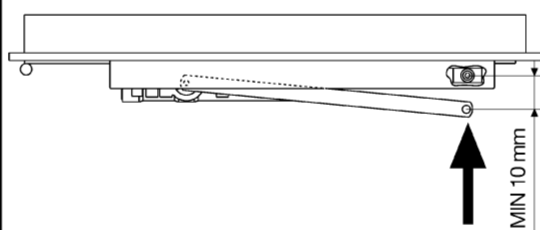


1. Grooved spindle
2. Sliding arm
3. Machine screw M6 x 16
4. Bushing for the spindle
5. Machine screw M6 x 16

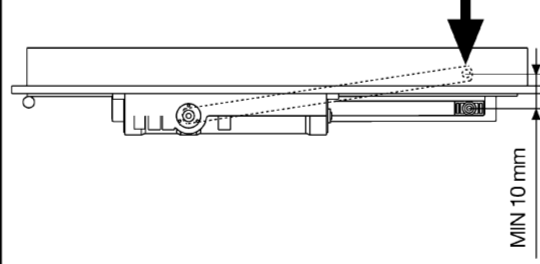
**NOTE:**  
Tighten the screws 3 and 5 properly during the installation.

**6.1 Pre-setting of the spring force**

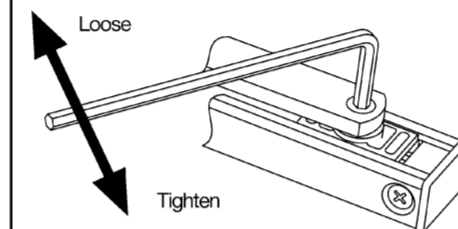
When the door closer is installed on the door on the opening side or on the frame on the closing side pre-setting of the spring force has to be set by pushing.



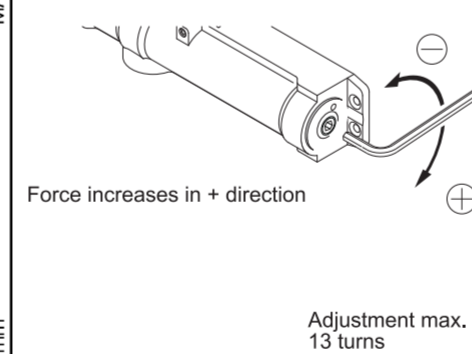
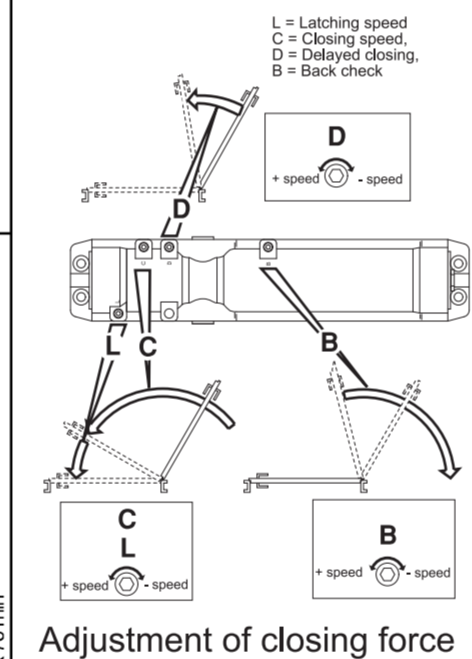
When the door closer is installed on the frame on the opening side or on the door on the closing side pre-setting of the spring force has to be set by pulling.



**6.2 Fixing the arm to the sliding piece**

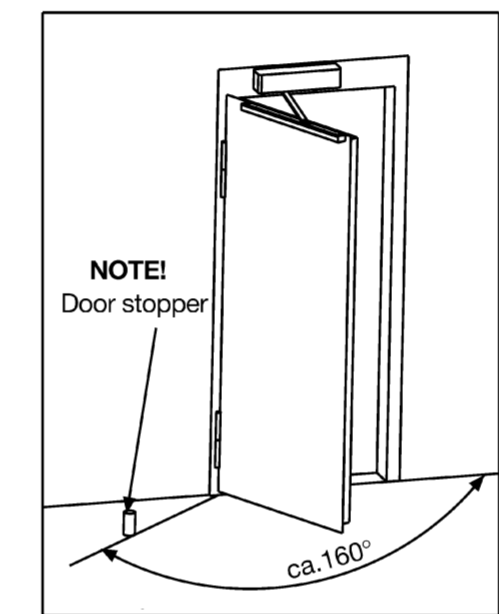


**7. Door Closer adjustments**

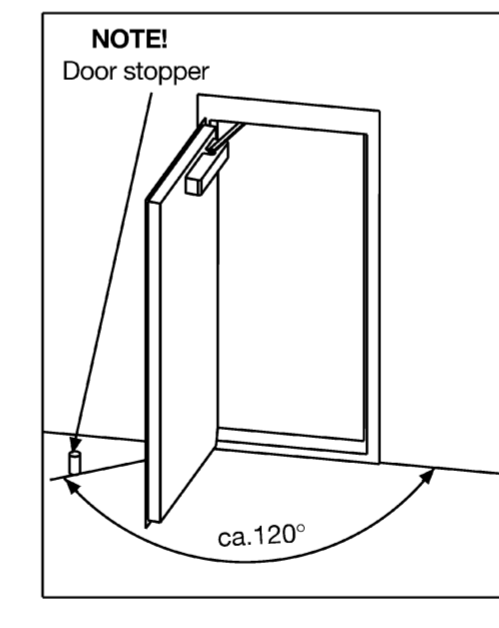


**Limits for opening angle**

Max. opening angle on the opening side is about 160°.

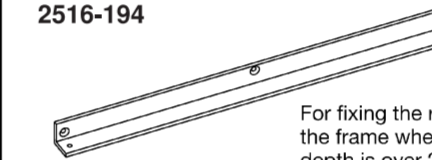


Max. opening angle on the closing side is about 120°.



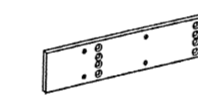
**Accessories**

**2516-104 Angle bracket for 2516-194**



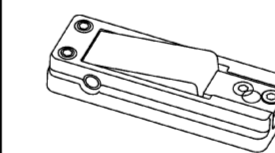
For fixing the rail under the frame when frame depth is over 25 mm and closer is assembled on the door on closing side.

**2516-180SIL Plain support bracket**



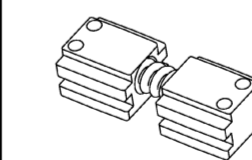
For fixing the closer on the frame or on the door where direct installation is not possible.

**2616-152 Hold open device for 2616-194**



Max. hold open angle is about 120° depending on the closer size and installation method.

**2616-153 Opening damper for 2616-194**



Max. damping angle about 110°. Damper does not replace the mechanical door stopper. This damper is designed to brake the door before hitting the real door stopper.

**Important!**

- The door closer may only be used for its intended purpose. Do not disassemble the door closer; it contains a preset spring.
- The closer's regulating screws must not be loosened so that they rise above the closer surface, as this will allow the oil to drain out.
- Be careful not to leave your hands and fingers between the door and the frame
- Exercise caution when removing the door closer or the arm. In normal position the arm is held against a preset spring.



**ASSA ABLOY**

ASSA ABLOY Australia Pty Limited  
235 Huntingdale Road,  
Oakleigh, Victoria  
Australia 3166

Phone: + 61 3 8574 3888, Fax: + 61 3 8574 3788  
www.assaabloyasiapacific.com  
ABN 90 086 451 907

Made in Finland

An ASSA ABLOY Group brand

**ASSA ABLOY**