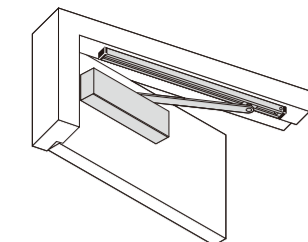


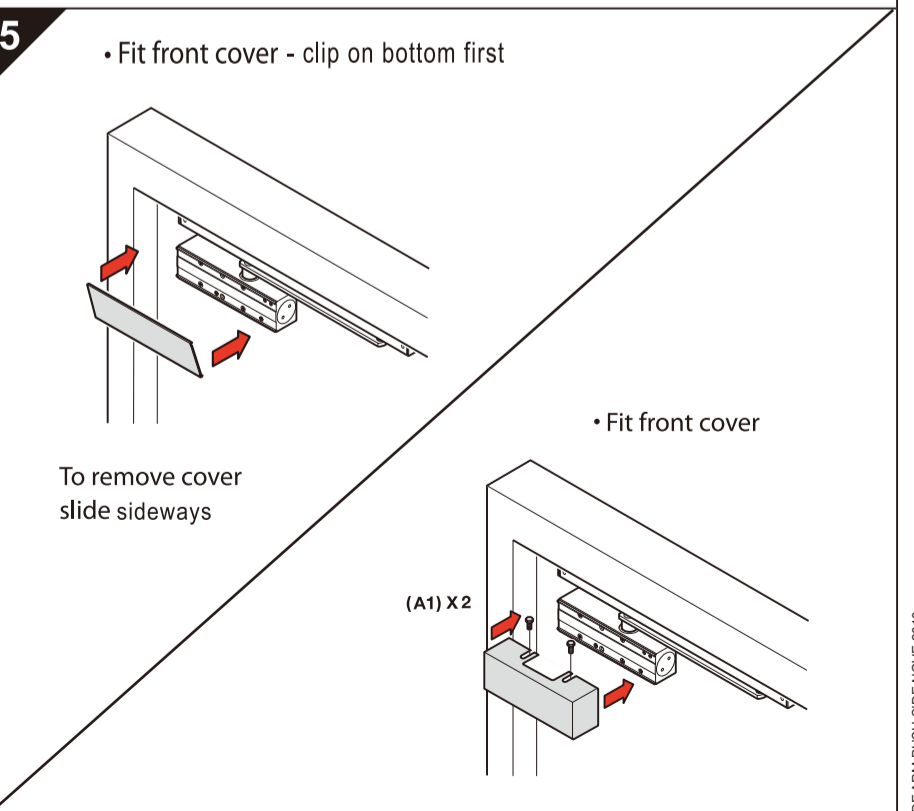
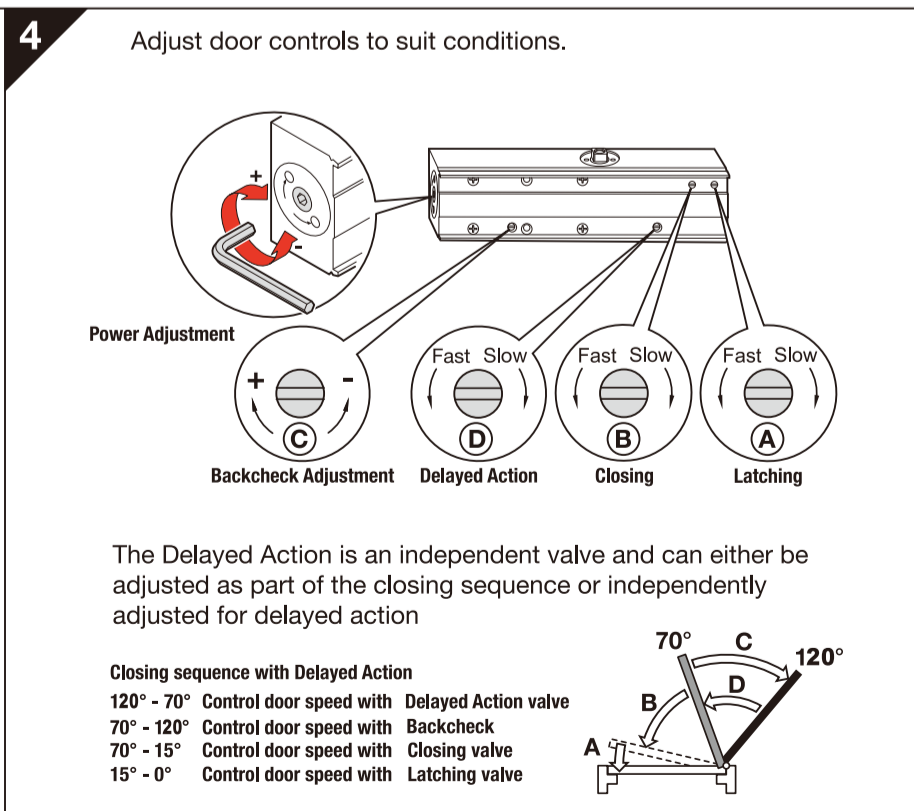
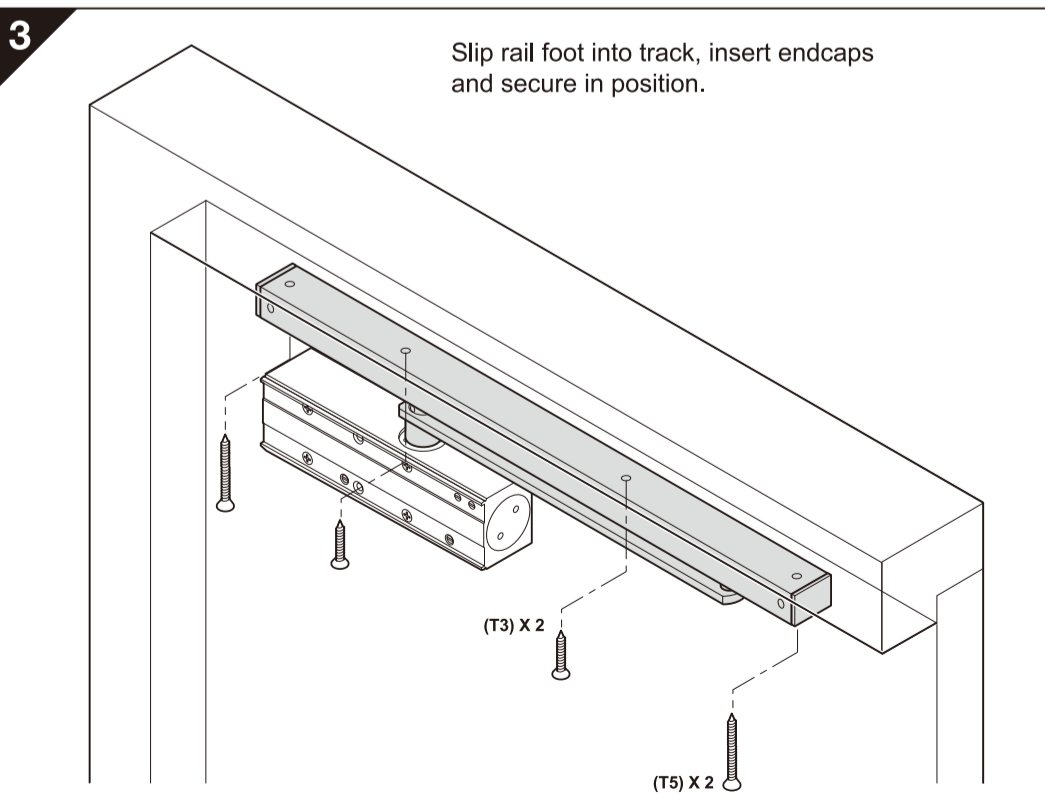
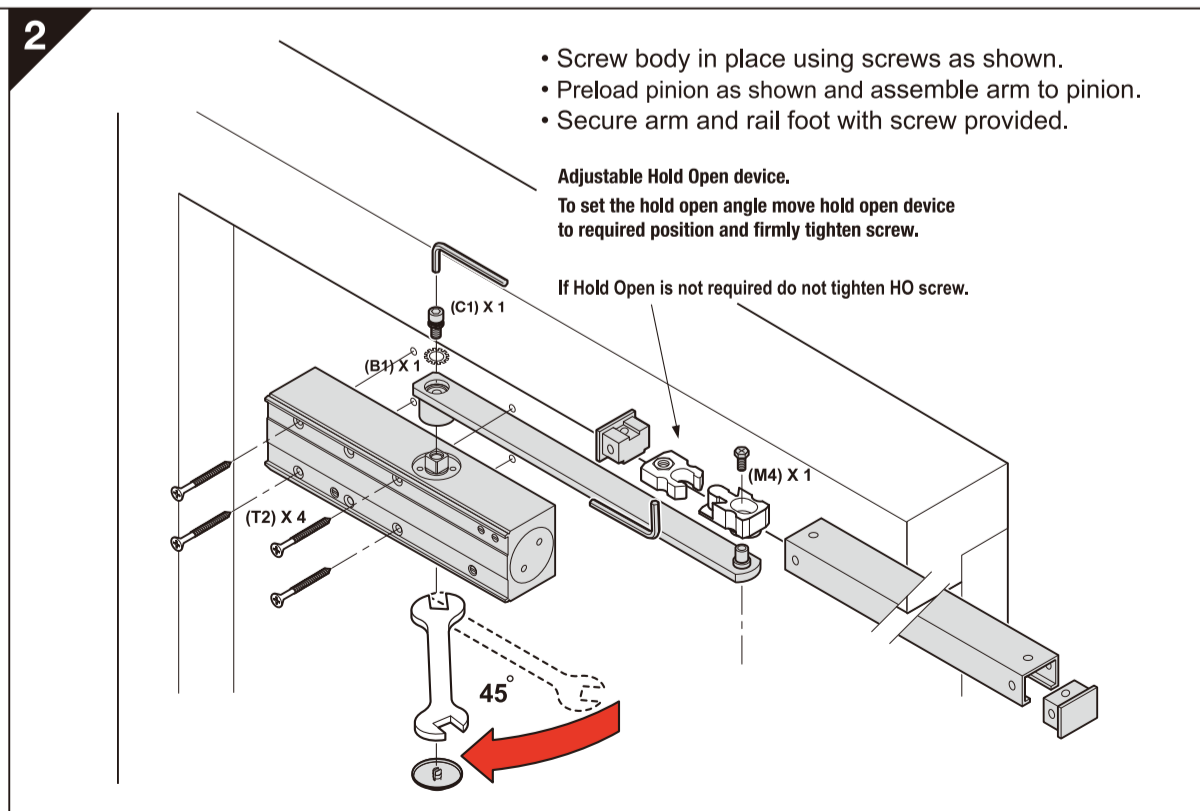
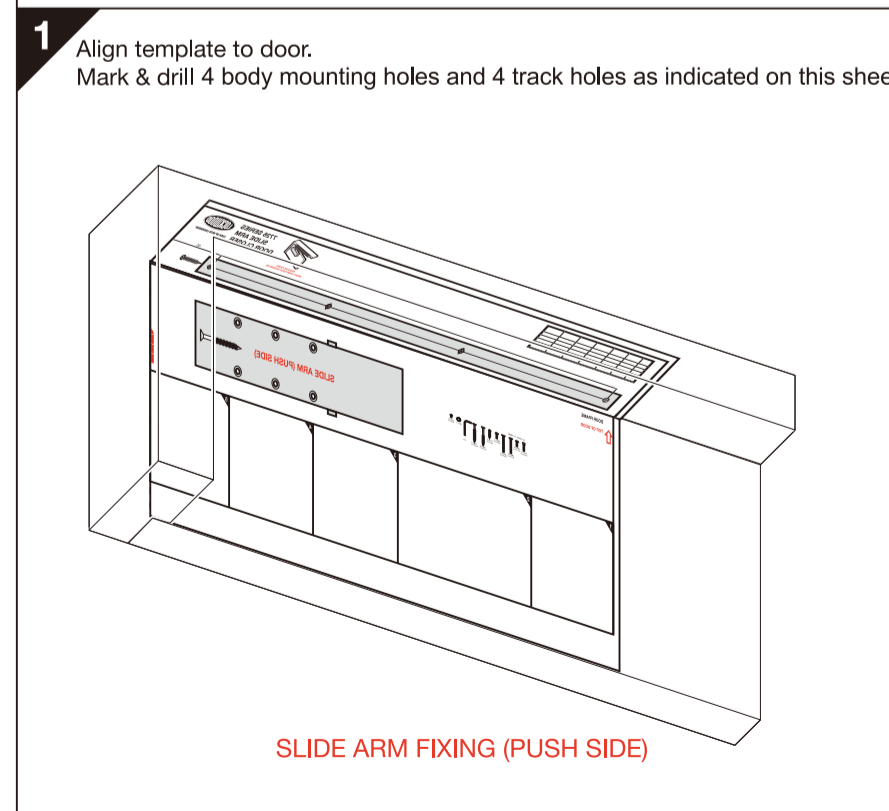
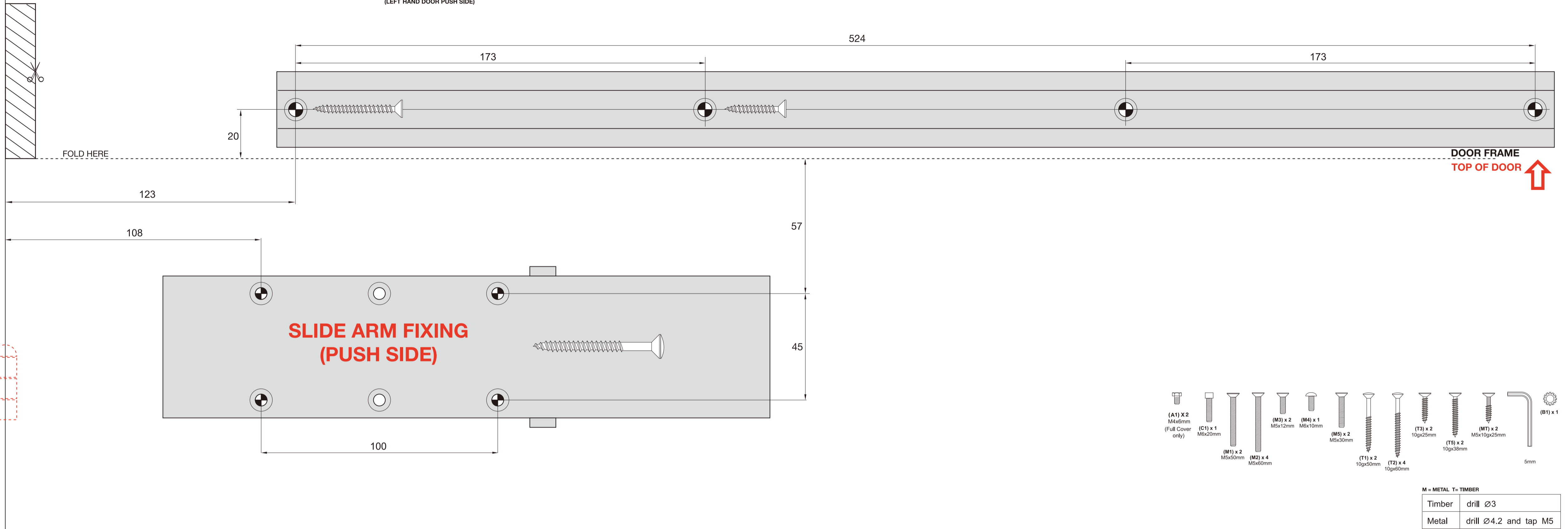


**7726/726 SERIES  
SLIDE ARM  
DOOR CLOSER**

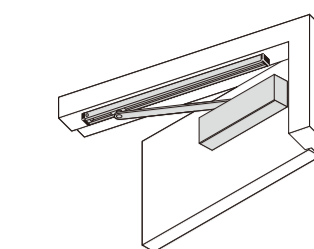


SLIDE ARM FIXING  
(LEFT HAND DOOR PUSH SIDE)

Power Size	Max. Door Width	Max. Door Weight	Max. Door Opening	Min. Closing Torque	Number Turns	Direction
EN1	750mm	20kg	120°	9Nm	6	Anti - Clockwise
EN2	850mm	40kg	120°	13Nm	4	Anti - Clockwise
EN3	950mm	60kg	120°	18Nm	0	-
EN4	1100mm	80kg	120°	26Nm	5	Clockwise

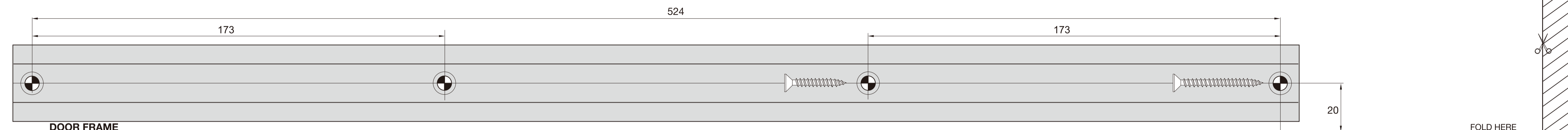


Power Size	Max. Door Width	Max. Door Weight	Max. Door Opening	Min. Closing Torque	Number Turns	Direction
EN1	750mm	20kg	120°	9Nm	6	Anti - Clockwise
EN2	850mm	40kg	120°	13Nm	4	Anti - Clockwise
EN3	950mm	60kg	120°	18Nm	0	-
EN4	1100mm	80kg	120°	26Nm	5	Clockwise



SLIDE ARM FIXING (RIGHT HAND DOOR PUSH SIDE)

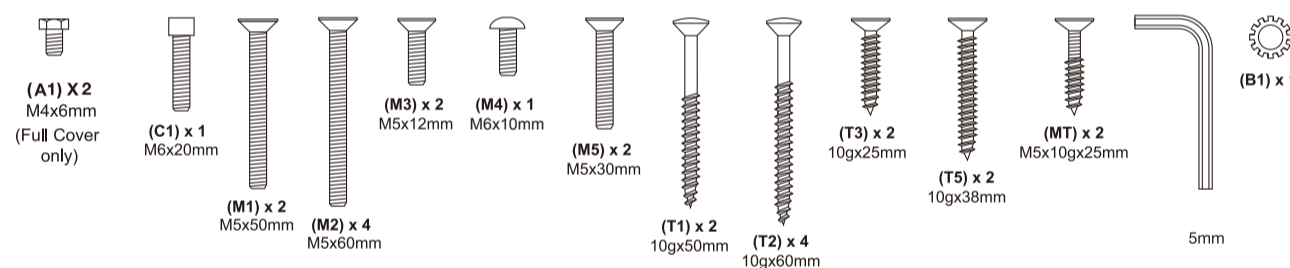
**7726/726 SERIES  
SLIDE ARM  
DOOR CLOSER**



**DOOR FRAME**  
**↑ TOP OF DOOR**

FOLD HERE

**SLIDE ARM FIXING  
(PUSH SIDE)**



M = METAL T = TIMBER

Timber	drill Ø3
Metal	drill Ø4.2 and tap M5

**1** Align template to door. Mark & drill 4 body mounting holes and 4 track holes as indicated on this sheet.

SLIDE ARM FIXING (PUSH SIDE)

**2**

- Screw body in place using screws as shown.
- Preload pinion as shown and assemble arm to pinion.
- Secure arm and rail foot with screw provided.

Adjustable Hold Open device.  
To set the hold open angle move hold open device to required position and firmly tighten screw.  
If Hold Open is not required do not tighten HO screw.

**3**

Slip rail foot into track, insert endcaps and secure in position.

**4** Adjust door controls to suit conditions.

Power Adjustment

The Delayed Action is an independent valve and can either be adjusted as part of the closing sequence or independently adjusted for delayed action

Closing sequence with Delayed Action  
 120° - 70° Control door speed with Delayed Action valve  
 70° - 120° Control door speed with Backcheck  
 70° - 15° Control door speed with Closing valve  
 15° - 0° Control door speed with Latching valve

**5**

- Fit front cover - clip on bottom first

To remove cover slide sideways

- Fit front cover

Instructions 7726/726\_SLIDE ARM PUSH SIDE NOV 2013

FOLD HERE