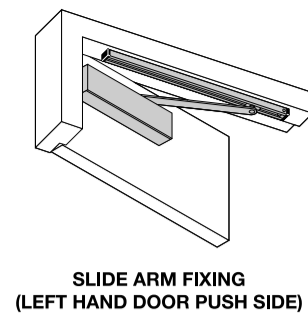
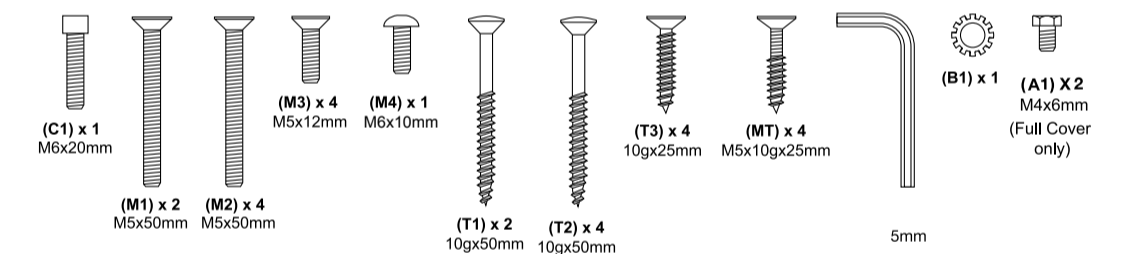
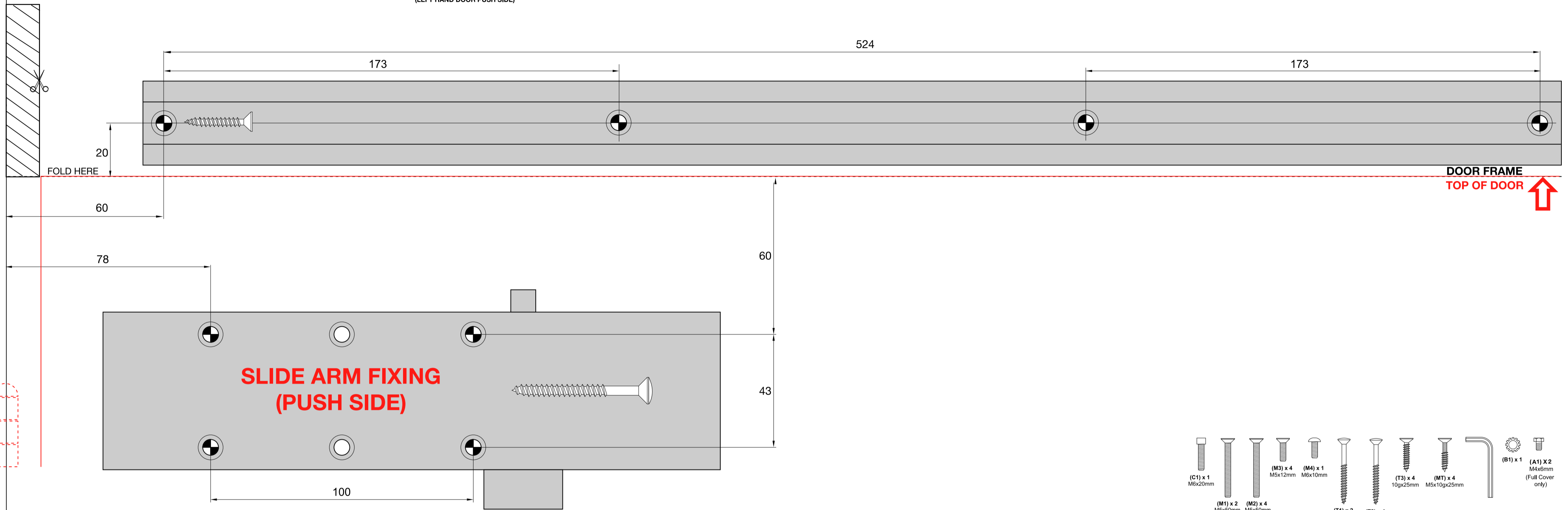


# 724 SERIES SLIDE ARM DOOR CLOSER

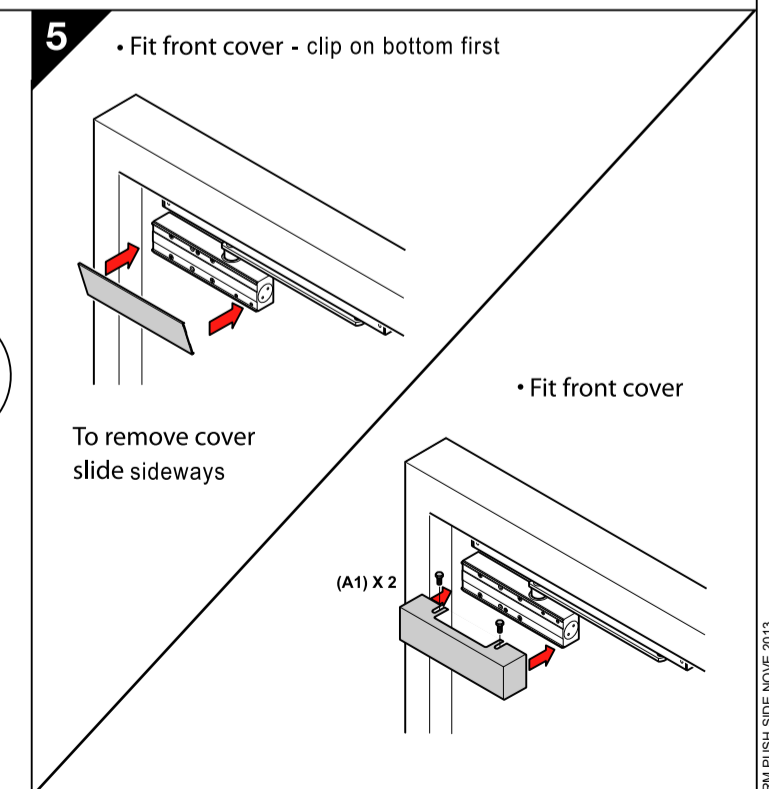
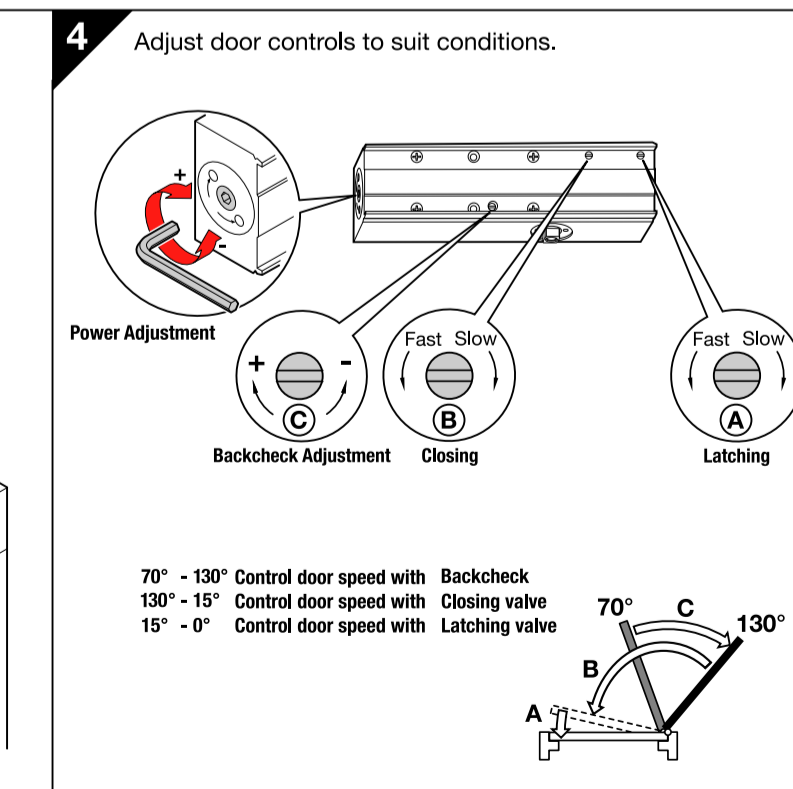
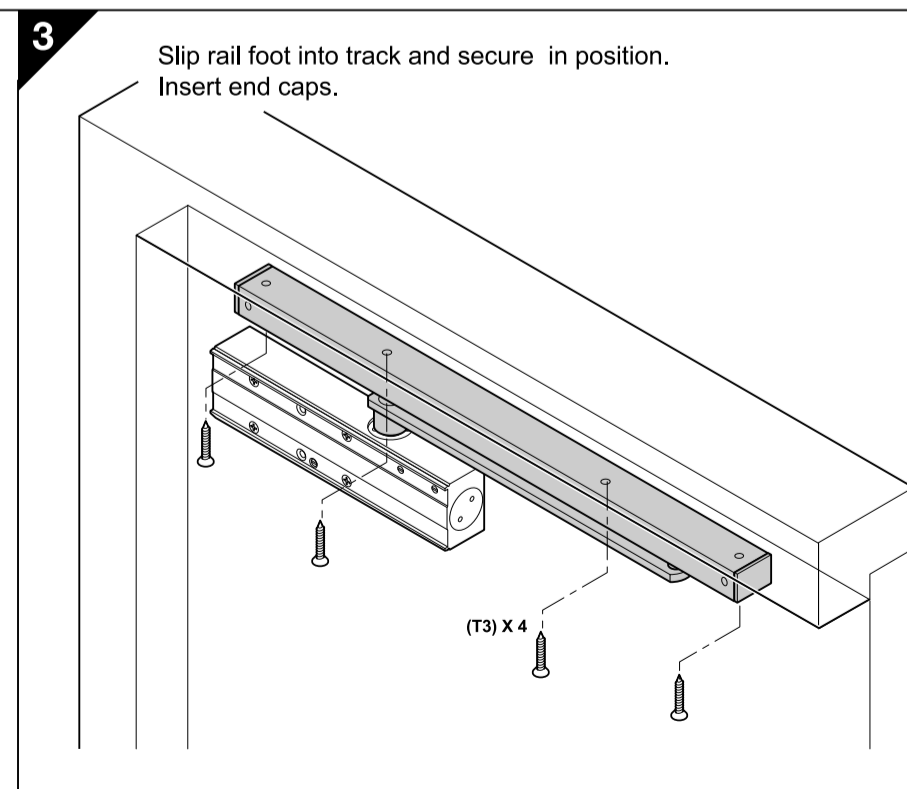
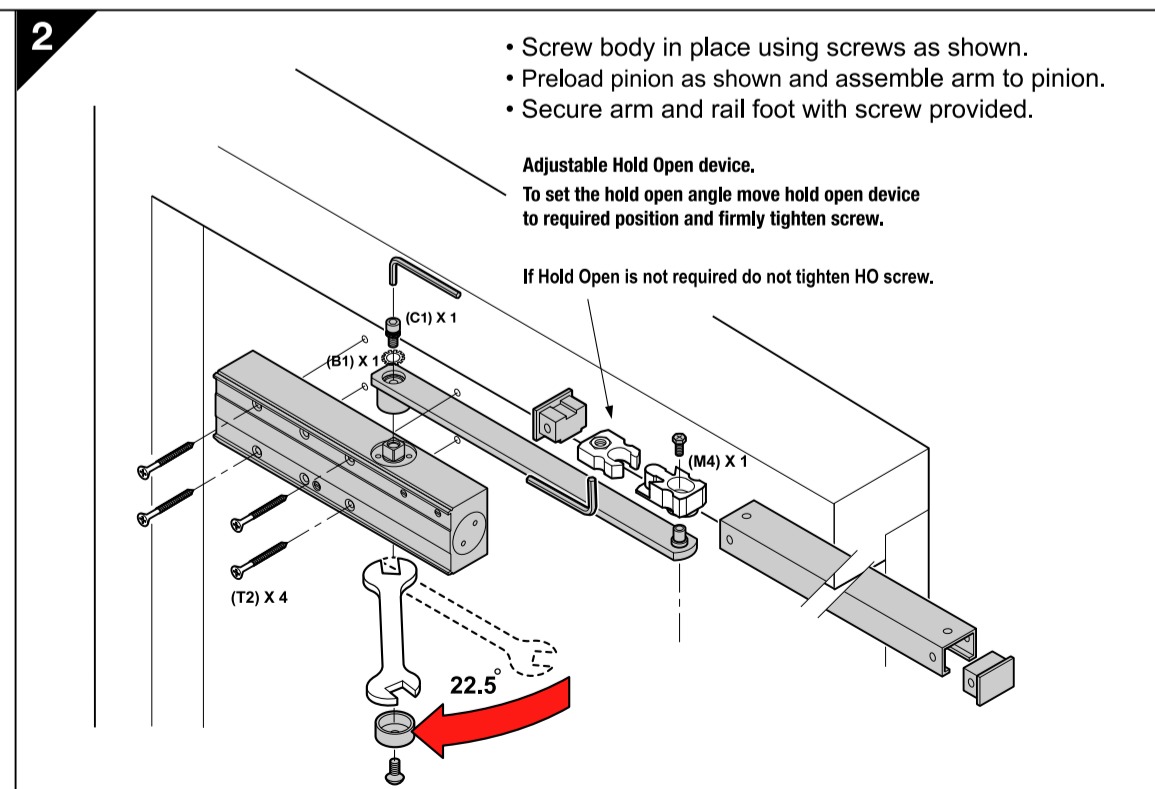
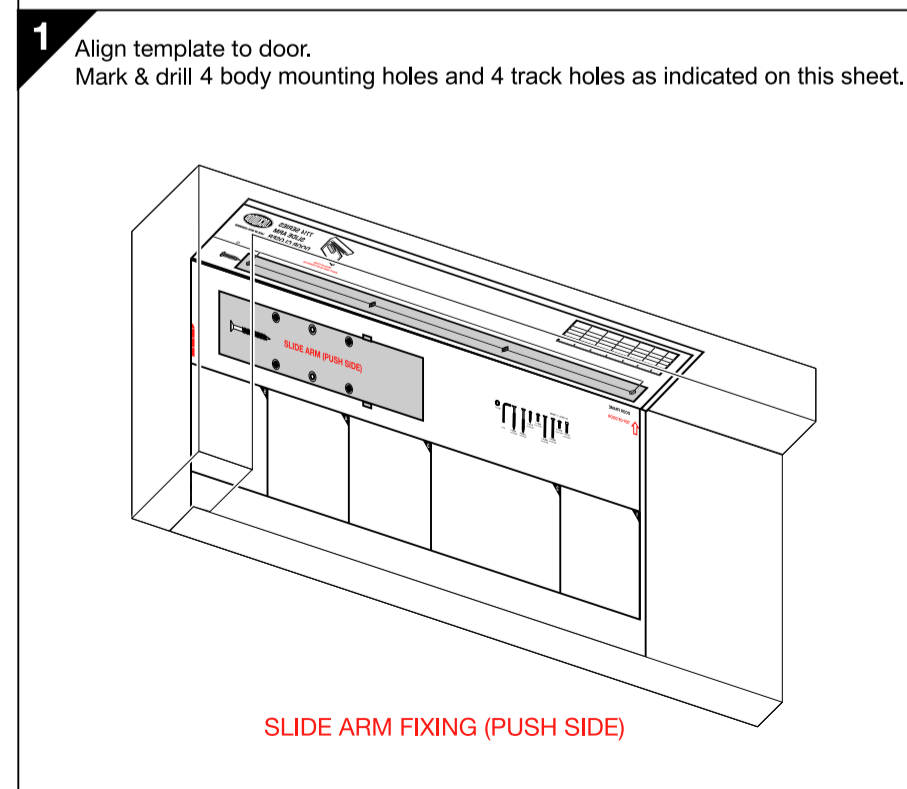


Power Size	Max. Door Width	Max. Door Weight	Max. Door Opening	Min. Closing Torque	Number Turns	Direction
EN1	750mm	20kg	130°	9Nm	8	Anti - Clockwise
EN2	850mm	40kg	130°	13Nm	-	-
EN3	950mm	60kg	130°	18Nm	7	Clockwise

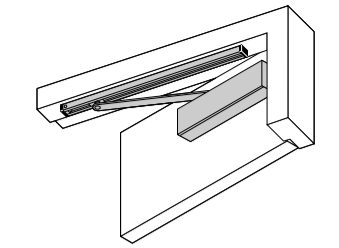


M = METAL T= TIMBER

Timber	drill Ø3
Metal	drill Ø4.2 and tap M5

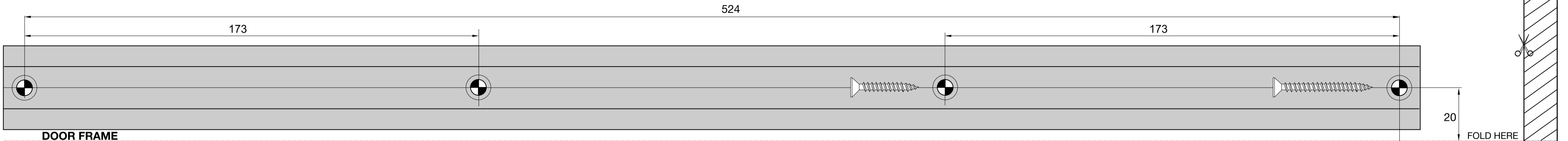


Power Size	Max. Door Width	Max. Door Weight	Max. Door Opening	Min. Closing Torque	Number Turns	Direction
EN1	750mm	20kg	130°	9Nm	8	Anti - Clockwise
EN2	850mm	40kg	130°	13Nm	-	-
EN3	950mm	60kg	130°	18Nm	7	Clockwise

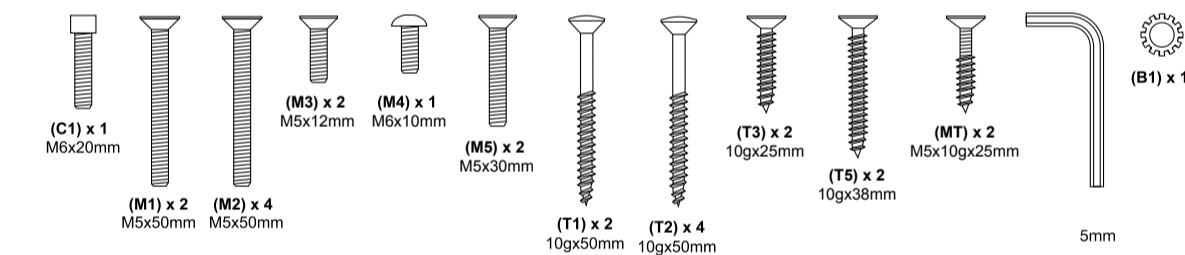


SLIDE ARM FIXING (RIGHT HAND DOOR PUSH SIDE)

# 724 SERIES SLIDE ARM DOOR CLOSER



DOOR FRAME  
↑ TOP OF DOOR



M = METAL T = TIMBER

Timber	drill Ø3
Metal	drill Ø4.2 and tap M5

**1** Align template to door. Mark & drill 4 body mounting holes and 4 track holes as indicated on this sheet.

SLIDE ARM FIXING (PUSH SIDE)

**2**

- Screw body in place using screws as shown.
- Preload pinion as shown and assemble arm to pinion.
- Secure arm and rail foot with screw provided.

Adjustable Hold Open device.  
To set the hold open angle move hold open device to required position and firmly tighten screw.  
If Hold Open is not required do not tighten HO screw.

**3**

Slip rail foot into track, insert endcaps and secure in position.

**4** Adjust door controls to suit conditions.

Fast Slow (A) Latching  
Fast Slow (B) Closing  
Backcheck Adjustment (C)

Power Adjustment

70° - 130° Control door speed with Backcheck  
130° - 15° Control door speed with Closing valve  
15° - 0° Control door speed with Latching valve

**5** Fit front cover - clip on bottom first.

To remove cover slide sideways

Instructions 724 SLIDE ARM PUSH SIDE NOV16 2013

FOLD HERE