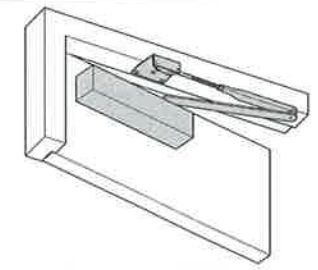




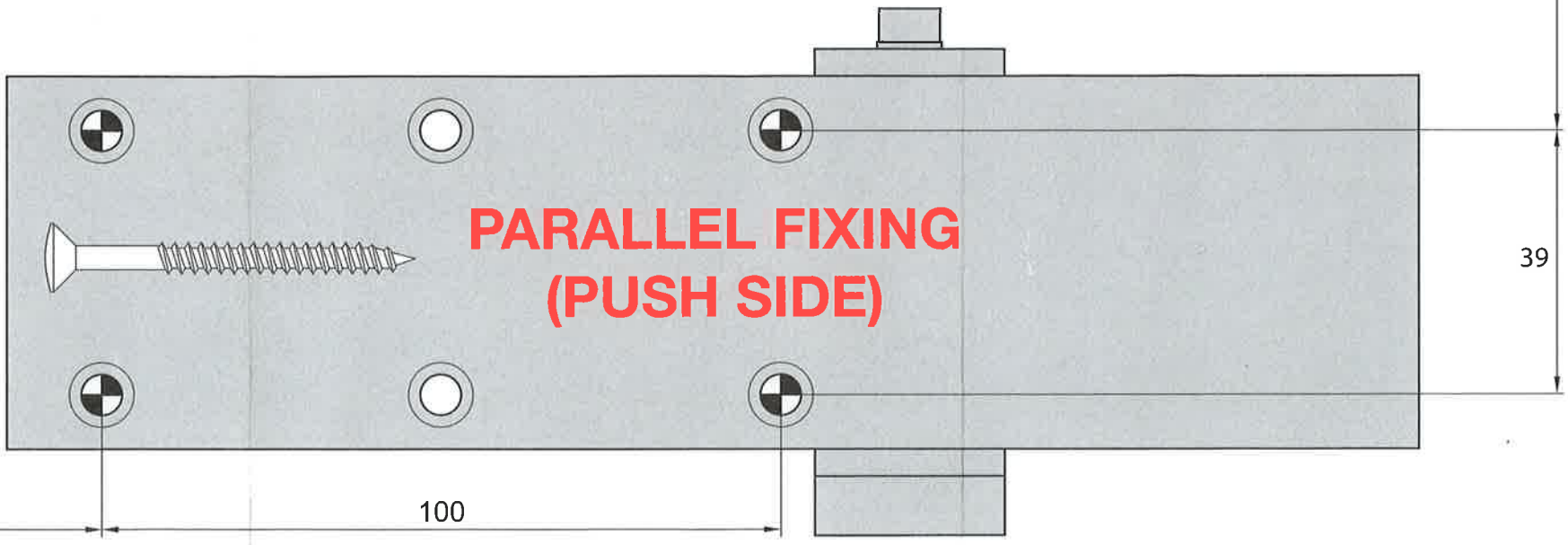
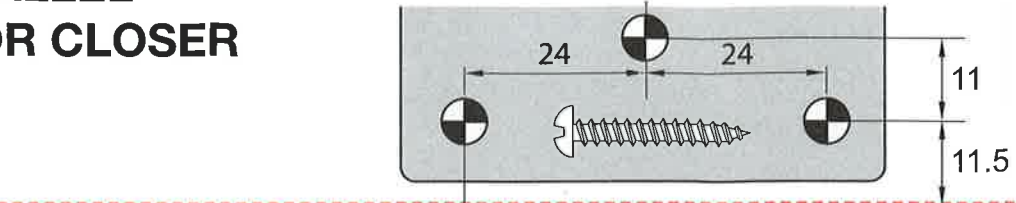
3024 SERIES PARALLEL DOOR CLOSER

Power Size	Max. Door Width	Max. Door Weight	Max. Door Opening	Min. Closing Torque
EN2	850mm	40kg	180°	13Nm

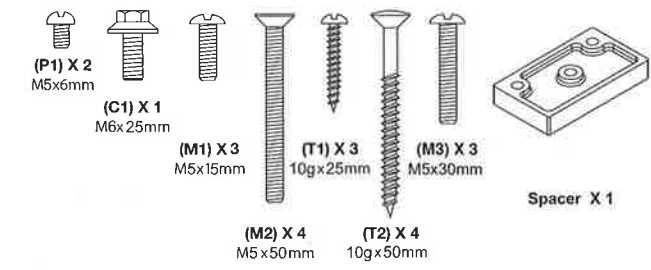


PARALLEL FIXING
(LEFT HAND DOOR PUSH SIDE)

DOOR FRAME FOLD HERE



**PARALLEL FIXING
(PUSH SIDE)**



M = METAL T = TIMBER

Timber	drill Ø3
Metal	drill Ø4.2 and tap M5

1 Align template to door. Mark & drill 4 mounting holes and 3 bracket holes as indicated on this sheet.

2 Screw body in place using screws as shown. Install bracket and securely tighten.

Use Spacer for extended door stops over 8mm

Parallel to door face

Preload spindle 45°
Install arm and securely tighten.
Separate and adjust threaded link arm parallel to door face.

Long end of bracket must point to hinge

45°

3 Adjust door controls to suit conditions.

Backcheck Adjustment (C) Closing (B) *Latching (A)

70°

Closing sequence
180° - 15° Control door speed with Closing valve
70° - 180° Control with Backcheck valve
* With parallel bracket installation, latching valve will not function.

4 • Fit front cover - clip on bottom first

To remove cover slide sideways

FOLD HERE