

Exidor Series Exit Device



Description

The Lockwood Exidor series panic hardware offers a modern, aesthetically pleasing style giving optimum safety and security.

Features and Specifications

- Push bar activated panic exit device
- Available in configurations to suit single and double doors
- Fire rated for use on timber and steel doors
- Surface mounted
- Shoot bolts and latch options available
- Suitable for doors up to 1220mm wide and 2440mm high
- Tested to 200,000 cycles
- Non-handed

Product Details

Handing	Field Reversible
Door Width	Maximum 1220mm, bar can be cut to size
Door Mass	Up to 200kg
Projection	98mm from door face
Finish	Silver (SIL) Epoxy powder coating

Standards and Compliance



Successfully tested on fire door assemblies in accordance with Australian Standard AS1905.1-2005. Fire Resistant Doorsets.

Conforms to the standards as set out in CE EN1125 -2015.

Exidor Series Exit Device

Exidor Series Exit Device Single Point

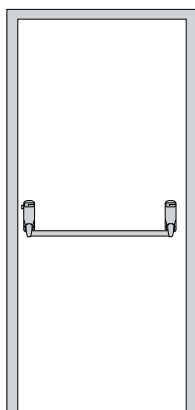
Part Number	Description
EXI296 -SIL	Reversible panic latch

The Exidor 296 is designed for single and double door applications. The unit is operated by a downward thrust of the cross bar to give a speedy exit in panic situations.

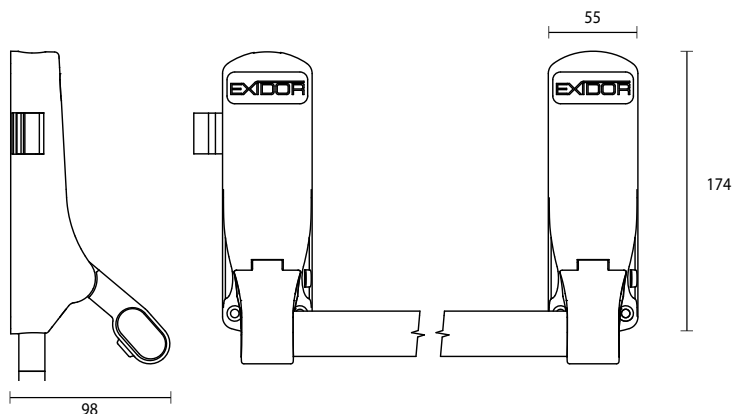
An adapter for use with a rim cylinder for outside access is supplied as standard.

Operation

Pushing the bar down into the door face retracts the latch. Releasing the bar returns the latch to the rest position.



Typical Single Door Installation



Exidor Series Exit Device

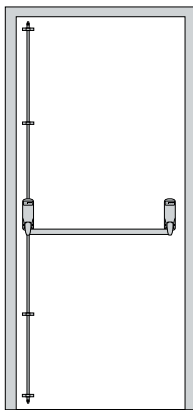
Exidor Series Exit Device Two Point

Part Number	Description
EXI294-SIL	Single panic bolt

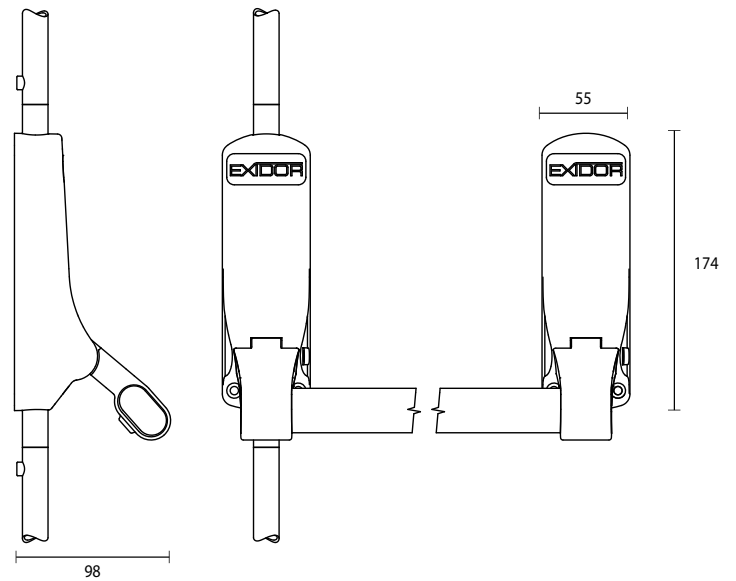
The Exidor 294 is an elegant and highly functional panic bolt for single and double door applications. Incorporated as standard is an automatic top trip and easy clean floor socket. The main body is fitted with an antithrust device, which prevents leverage of both the top and bottom shoot bolts from their sockets.

Operation

Pushing the bar down into the door face retracts the bolts. The bolts remain retracted until automatically released on closing of the door.



Typical Single Door Installation



Exidor Series Exit Device

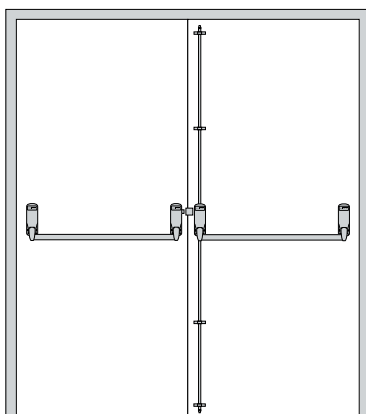
Exidor Series Exit Device Three Point

Part Number	Description
EXI285-SIL	Double doorset Bolt and Latch

The Exidor 285 for rebated double doors is a complete package consisting of a panic latch (296) and a panic bolt (294). Typically installed on a rebated double doorset, with the latch on the active leaf, and bolt on the inactive leaf.

Operation

Pushing the bar down into the door face retracts the latch or bolts. The bolts remain retracted until automatically released on closing of the door.



Typical Double Door Installation

Exidor Series Exit Device

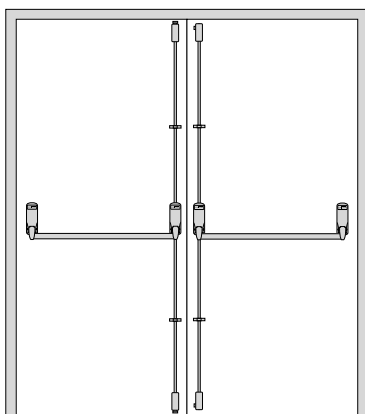
Exidor Series Exit Device Four Point

Part Number	Description
EXI284-SIL	Double door set panic Bolts

The Exidor 284 for non-rebated double doors is a complete package consisting of two single panic bolts (294). Typically installed on a non-rebated double doorset.

Operation

Pushing the bar down into the door face retracts the bolts. The bolts remain retracted until automatically released on closing of the door.



Typical Double Door Installation

Exidor Accessories

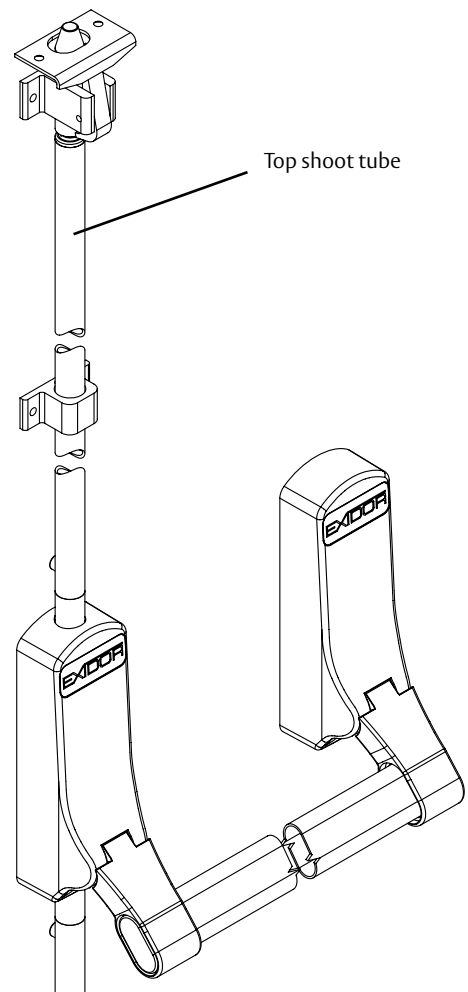
Extended Top Shoot Tube

Part Number	Description
EXIP0804-SIL	Extended Top Shoot Tube for doors up to 3180mm high

For doors exceeding 2440mm in height, the EXIP0804-SIL Extended Top Shoot Tube is designed as an addition to the vertical rod exit device and can be used in applications of up to 3180mm.

To be ordered separately.

Available in SILVER only.



Exidor Accessories

Extended Top Shoot Tube

Part Number	Description
EXI325EA-SIL	Lever OAD Euro w/out lock

The Exidor 325 is an elegant lever operated outside access device. Euro profile cylinder supplied separately to allow flexibility of special keying requirements.

Features and Specification

- Non-handed
- Powder coated for durability
- Fixings to suit steel, timber, aluminium or uPVC doors
- For doors up to 65mm thick

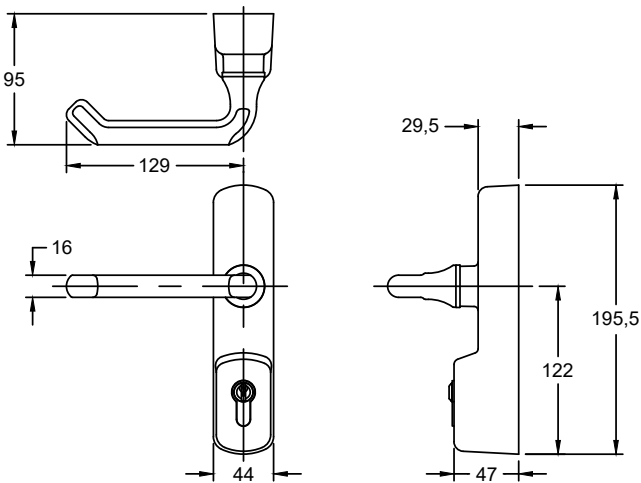
Operation

Pushing the bar down into the door face retracts the bolts. The bolts remain retracted until automatically released on closing of the door.

Euro Profile Half Cylinder is required (not supplied).

To be ordered separately.

Available in SILVER only.





ASSA ABLOY

Lockwood is the leading brand in the Australian locking industry. With an established reputation for high quality products, this iconic brand provides a wide range of locking solutions to residential housing, commercial building and industrial application markets. Lockwood is supported by an extensive distribution and after-sales support network. Our customers include retailers, architects, trade and industrial personnel, locksmiths and security dealers.

ASSA ABLOY is the global leader in door opening solutions, dedicated to satisfying end-user needs for security, safety and convenience.

ASSA ABLOY is represented in all major regions, in both mature and emerging markets, with leading positions in Australia, Europe and North America.

**25YEAR
MECHANICAL
WARRANTY**

The Lockwood 25 Year Mechanical Warranty

Our belief that we manufacture the finest premium products available in today's market place is backed by the Lockwood 25 Year Mechanical Warranty, ensuring that Lockwood continues to keep Australians safe by delivering security and peace of mind.

For warranty terms and conditions, please visit www.lockweb.com.au or call **1300WARRANTY**

ASSA ABLOY Australia Pty Ltd
235 Huntingdale Road
Oakleigh, Victoria, 3166
Australia

1300 LOCK UP (1300 562 587)
lockweb.com.au

ASSA ABLOY New Zealand Ltd
6 Armstrong Road
Albany, Auckland, 0632
New Zealand

info.nz@assaabloy.com
Telephone +64 9415 7111
assaabloy.co.nz

Disclaimer

Whilst every effort has been made to ensure that the information contained in this brochure is accurate at the time of publication, ASSA ABLOY Australia Pty Limited ("ASSA ABLOY") recommends that you consult ASSA ABLOY or its agents prior to placing an order to ascertain current information on specific products, as ASSA ABLOY reserves the right to make any changes without notice. ASSA ABLOY will not be liable for any injury, loss or damage whatsoever, arising from any errors or omissions in the information contained in the brochure or arising from the use or application of the information contained herein.

