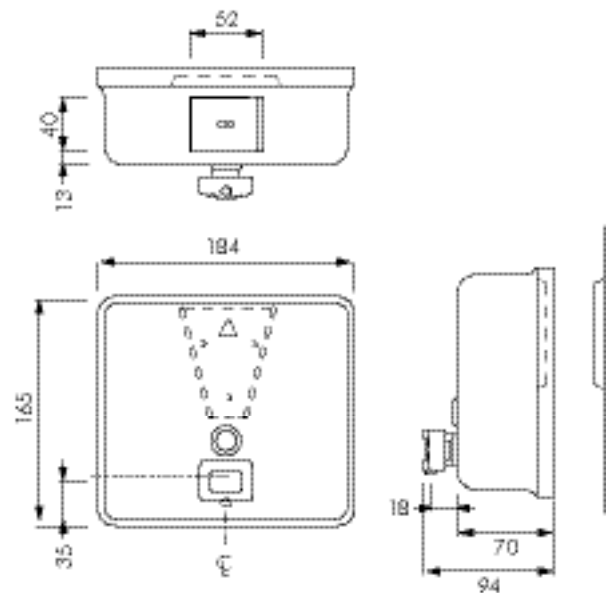


AS9343

PROFILE SURFACE MOUNTED LIQUID SOAP DISPENSER



DESCRIPTION

Model AS9343 is a surface mounted, Type 304 satin finish stainless steel, 1.4L capacity liquid soap dispenser. Valve is constructed of a plastic valve body and push button with stainless steel and plastic internal parts. A tamper resistant sight gauge is provided. Unit has a hinged stainless steel refill door on top of unit, which is opened with special key provided.

INSTALLATION

Mount to wall or partition using bracket (supplied). Unit is secured to interlocking wedge bracket and locked in place by a locking screw (supplied) installed through hinged refill door. Recommended installation for general utility is 1050 mm AFF or 150mm minimum above washbasin.

SOAP

Correct soap viscosity is vital to correct soap dispenser performance. Only vegetable based liquid soap with a viscosity of 4500 - 8000 centipoise should be used. Never use commercial hand cleaners as these often have grit which could damage soap pump mechanisms. Suggested Soap - Easy Products Ltd - Liquid Soap

MODELS

AS9343 - Standard model as shown.