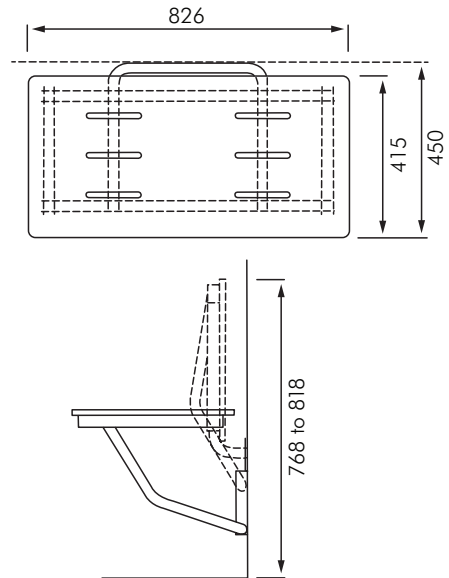


AS8203-M-NZ FOLD UP SHOWER SEAT



DESCRIPTION

A 304 stainless steel framed and supported shower seat, which is suitable for any commercial washroom space where seating is required for ease of showering.

- Dimensions comply with Acceptable Solutions G1/AS1 and Building Act requirements for accessible bathroom use.
- The foldable, white seat top is covered with a solid phenolic resin seat top for durability.
- Seat features strut support which slides in a detent guide for seat support and wall surface protection.
- All structural elements are fully welded, ground and polished to a smooth finish.
- All stainless steel has a No 4 finish.

INSTALLATION

- Seat is fixed to the wall through 2 x 57 dia stainless steel plates each requiring 3 fixing bolts/screws.
- Fixings are not supplied with the seat and should be to suit the wall structure where installed.
- The detent should be fixed to the wall once the seat is mounted in position with the spring retainer at the top of the detent.

MODELS

AS8203M-NZ - Standard model as shown.

Auckland (Head Office)

20 Carr Rd, Mt Roskill
Auckland 1041
P: 09 624 1115
F: 09 624 1110
E: sales@macdonaldindustries.co.nz

Wellington

P: 04 569 8033
F: 04 569 8066

Christchurch

P: 03 348 2356
F: 03 348 2376