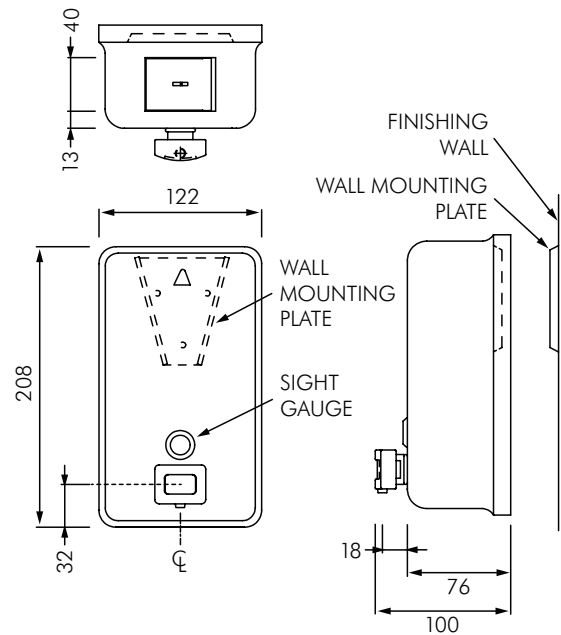




## AS0347, AS0359

### SURFACE MOUNTED VERTICAL LIQUID SOAP DISPENSER



#### DESCRIPTION

Model AS0347 is a vertically mounted, Type 304 stainless steel with satin finish, 1.18L capacity liquid soap dispenser. Valve is constructed of a plastic valve body and push button with stainless steel and plastic internal parts. A tamper resistant sight gauge is provided. Unit has a hinged stainless steel refill door on top of unit, which is opened with special key provided.

Optional foam soap dispenser also available refer to model AS0359.

#### INSTALLATION

Mount to wall or partition using bracket (supplied). Unit is secured to interlocking wedge bracket and locked in place by a locking screw (supplied) installed through hinged refill door. Recommended installation for general utility is 1050 mm) AFF or 150mm minimum above washbasin.

#### SOAP

Correct soap viscosity is vital to correct soap dispenser performance. Only vegetable based liquid soap with a viscosity of 4500 - 8000 centipoise should be used. Never use commercial hand cleaners as these often have grit which could damage soap pump mechanisms. Suggested Soap - Easy Products Ltd - Liquid Soap.

#### MODELS

**AS0347** - Vertically mounted model.

**AS0359** - As above but to suit foam soap.