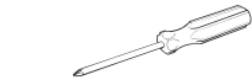


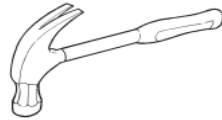
FITTING INSTRUCTIONS - NOTICE DE POSE - MONTAGE HANDLEIDING - MONTAGEANLEITUNG ISTRUZIONI DI MONTAGGIO - INSTUCCIONES DE MONTAJE

Low Headroom Installation Kit used to reduce the clearance between the track and door to a minimum of 2mm.
Please note the door thickness must be between 35mm and 48mm.

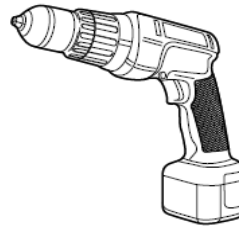
Tools required



1 x Phillips screwdriver



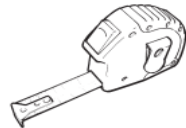
1 x Hammer



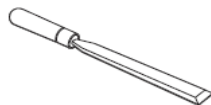
1 x Drill +
3mm drill bit



1 x Router + Ø26mm
or less router bit

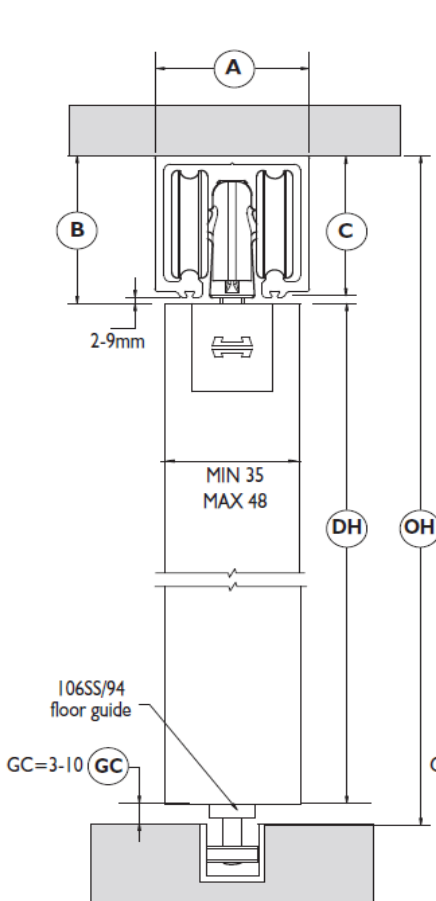


1 x Tape measure



1 x Chisel

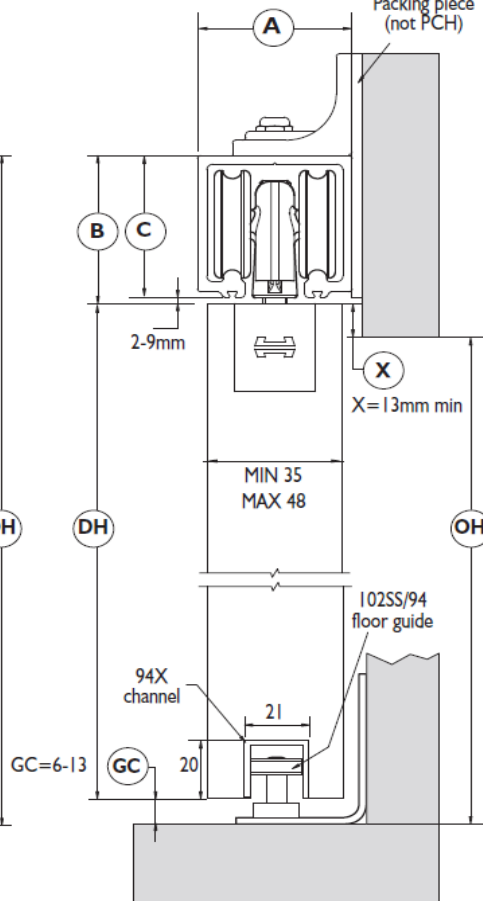
Soffit Fix



$$DH = OH - (B + GC^*)$$

*GC inserted to match floor guide selected

Face Fix

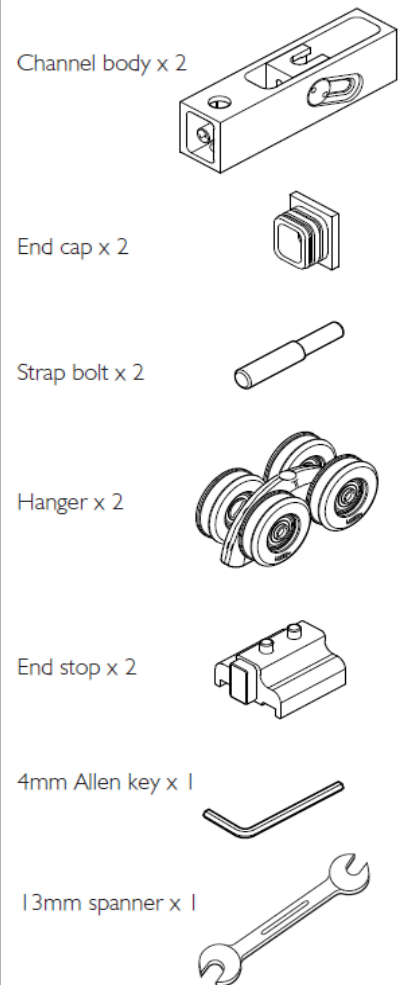


$$DH = OH + (X - GC^*)$$

*GC inserted to match floor guide selected

	120kg	180kg	250kg
(A)	41	47	50
(B)	33min - 40max	47min - 54max	52min - 59max
(C)	31	45	50

Parts included

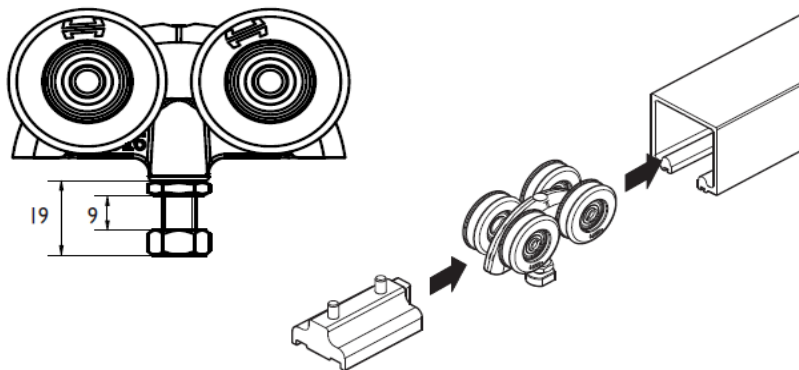


Sold separately

Track, floor guide and bottom rail

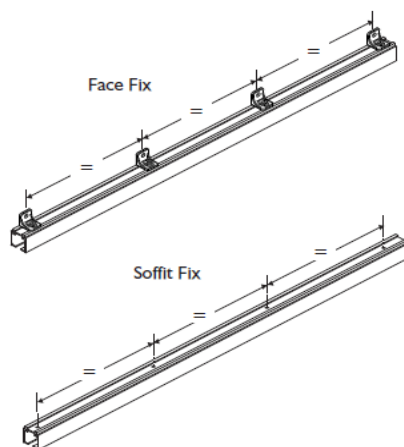
1

Set strap bolt as shown.



2

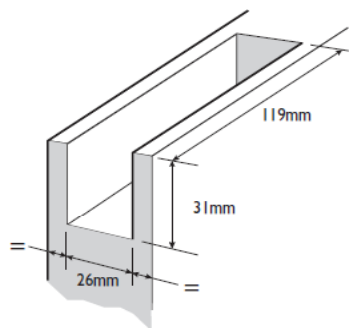
Brackets MAX spacing 900mm.



3

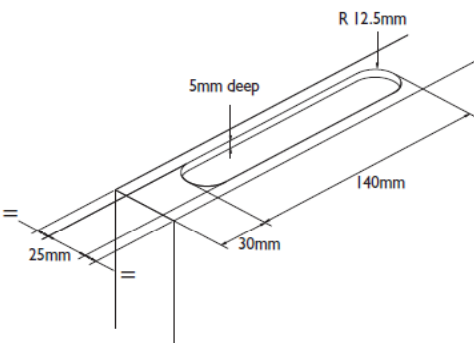
Routing details.

3.1 Channel bodies.



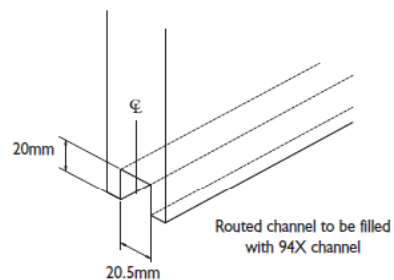
OPTIONAL

3.2 Soffit fix floor guide.



OPTIONAL

3.3 Face fix floor guide.

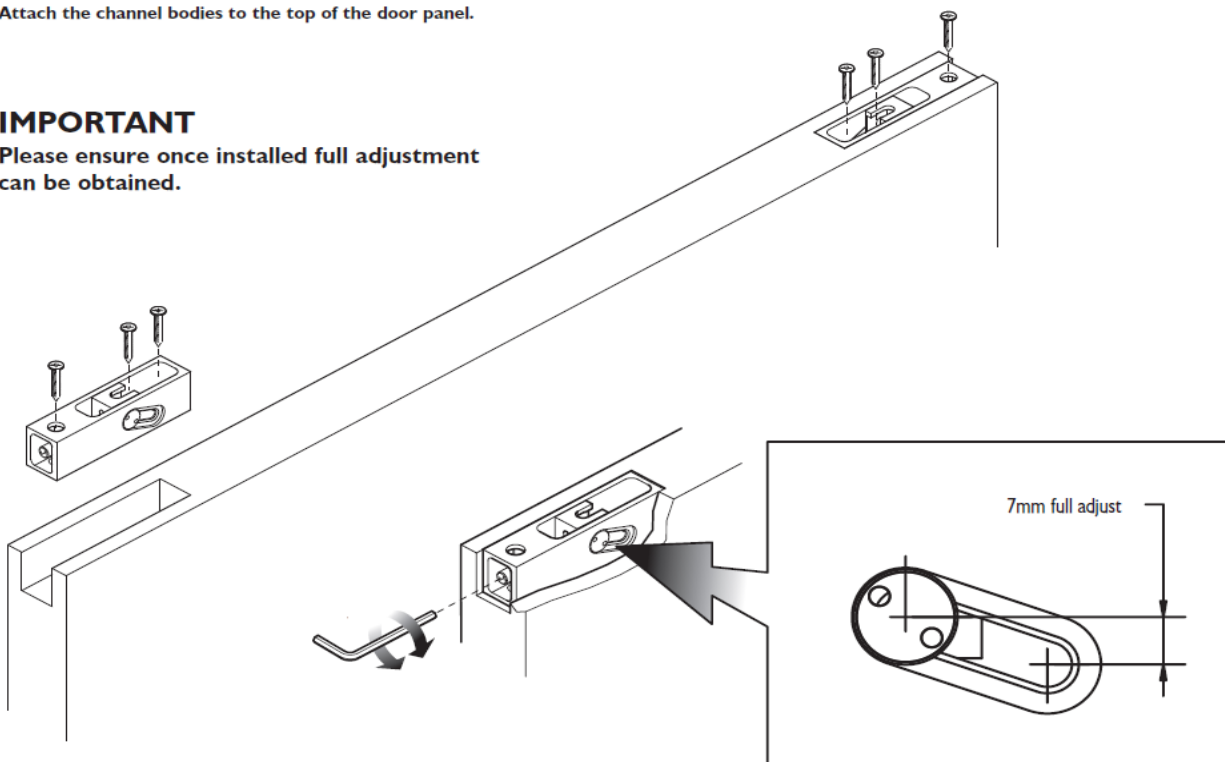


4

Attach the channel bodies to the top of the door panel.

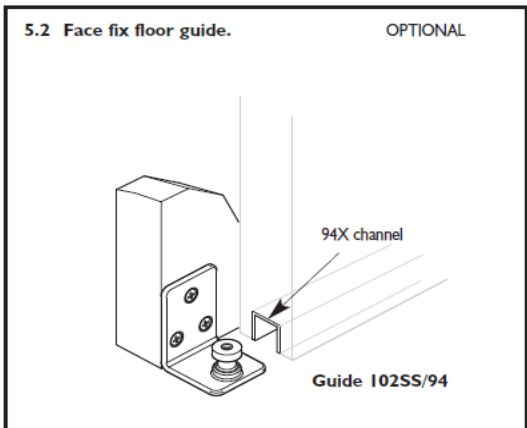
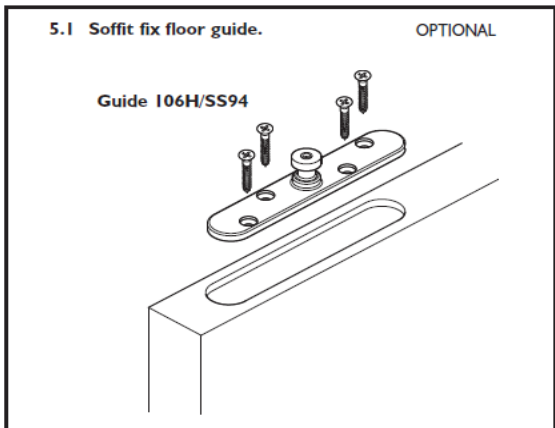
IMPORTANT

Please ensure once installed full adjustment can be obtained.



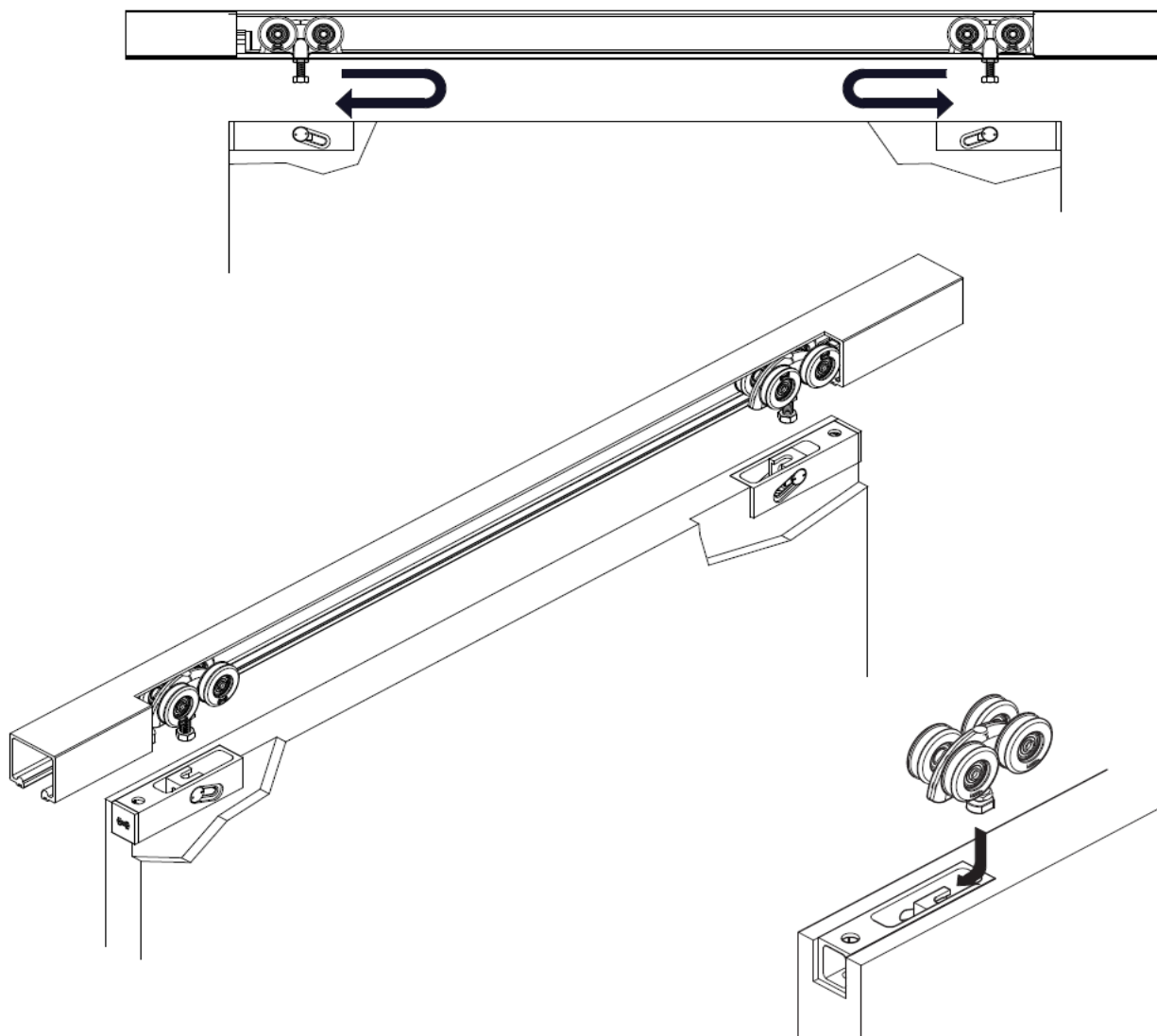
5

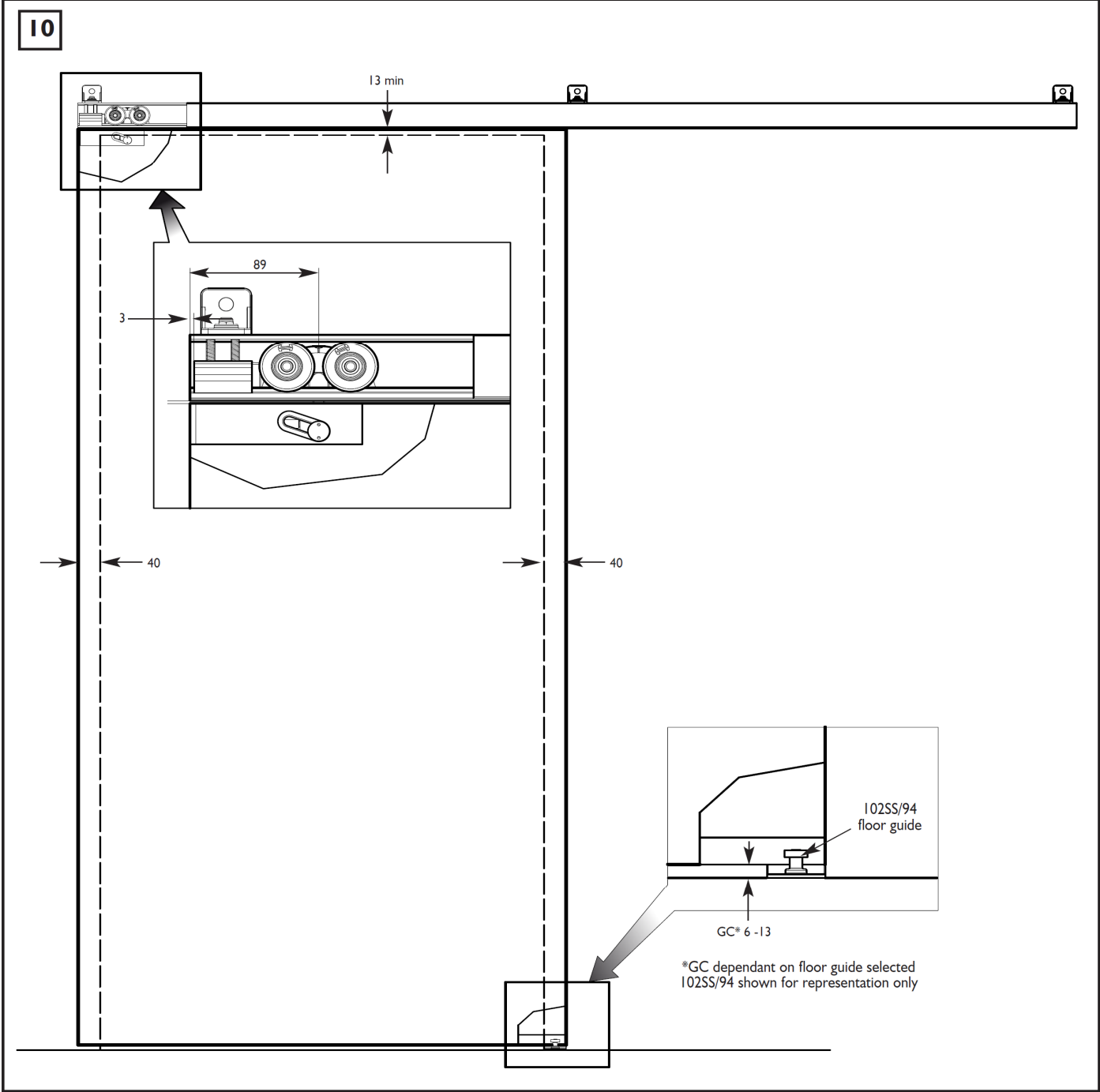
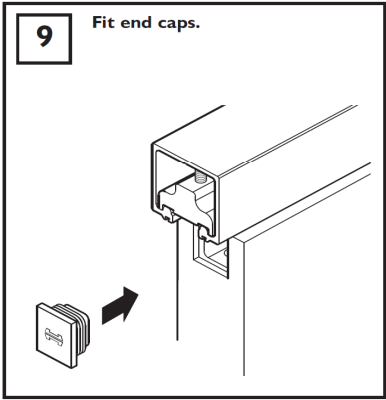
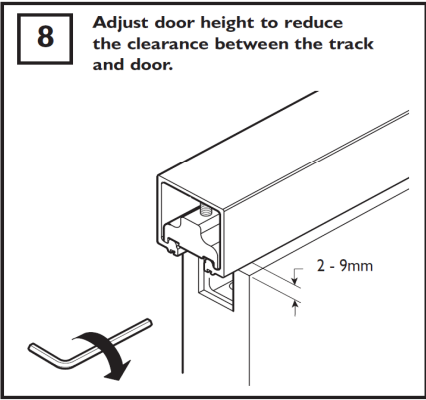
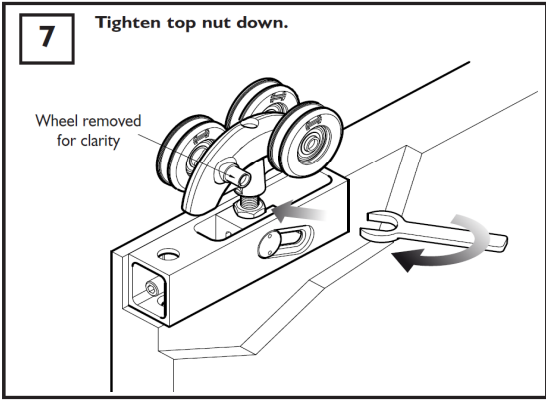
Attach the floor guides.



6

Ensure the slider body is in the highest position, lift the door into place onto the hanger strap bolts and tighten the top nut down.





All dimensions are in mm.