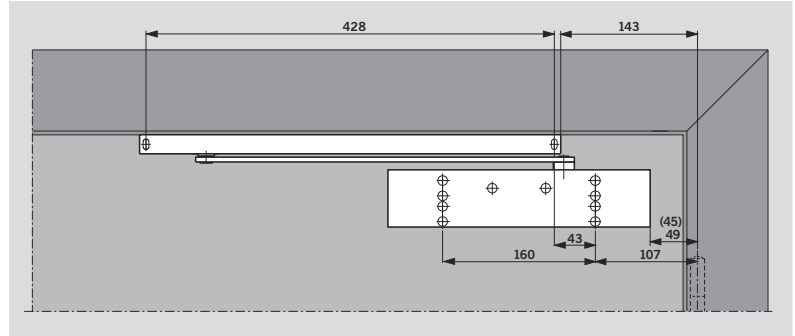
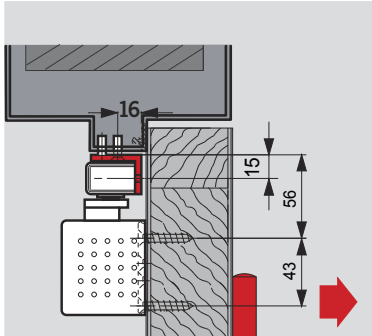


### DORMA TS93G PUSH SIDE ANGLE BRACKET INSTALLATION

The DORMA G-N angle bracket is required when installing the TS93G Cam action door closer to the push side of the door and the rebate depth exceeds 26mm. This fixing position is typical for Australian and New Zealand conditions. The step by step instructions enclosed with the door closer body need to be read in conjunction with the shown angle bracket installation below.

#### Angle bracket for G 93 N.

For push-side fixing of the slide channel to door frames with a deep reveal

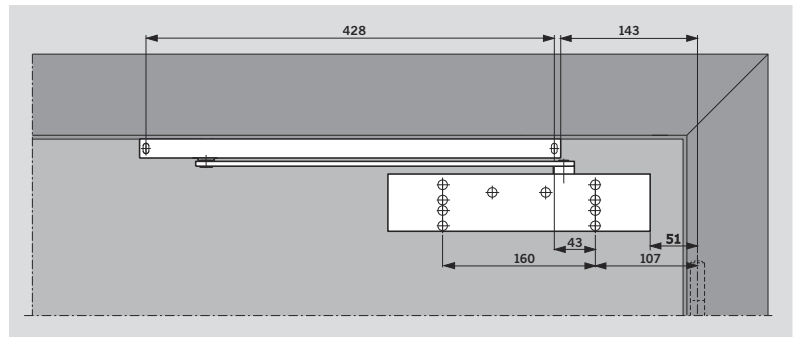
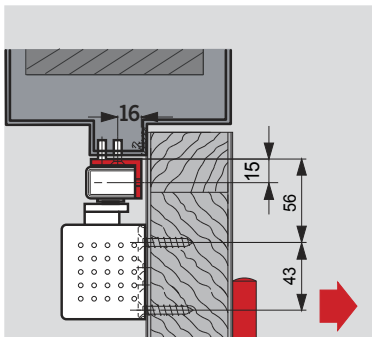


### DORMA TS92G PUSH SIDE ANGLE BRACKET INSTALLATION

The DORMA G-N angle bracket is required when installing the TS92G Cam action door closer to the push side of the door and the rebate depth exceeds 26mm. This fixing position is typical for Australian and New Zealand conditions. The step by step instructions enclosed with the door closer body need to be read in conjunction with the shown angle bracket installation below.

#### Angle bracket for G 92 N.

For push-side fixing of the slide channel to door frames with a deep reveal



### DORMA G-N ANGLE BRACKET FOR TS93G & TS92G INSTALLATION

