

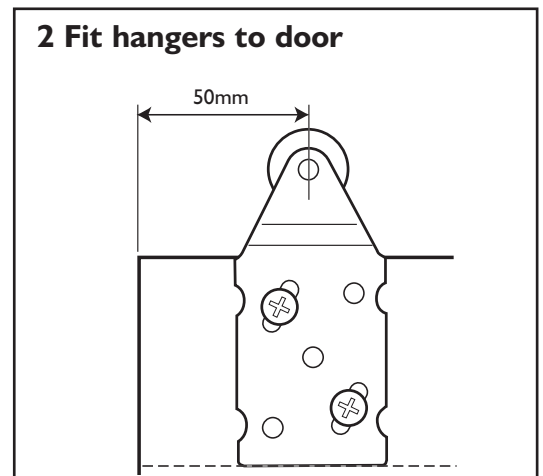
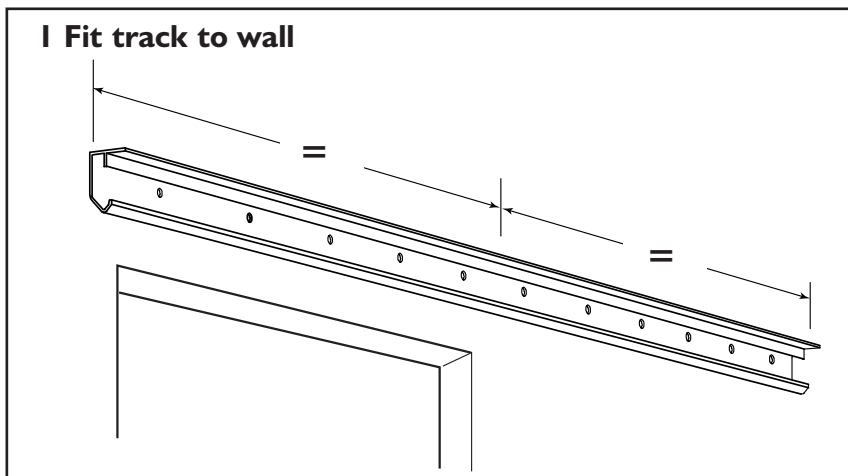
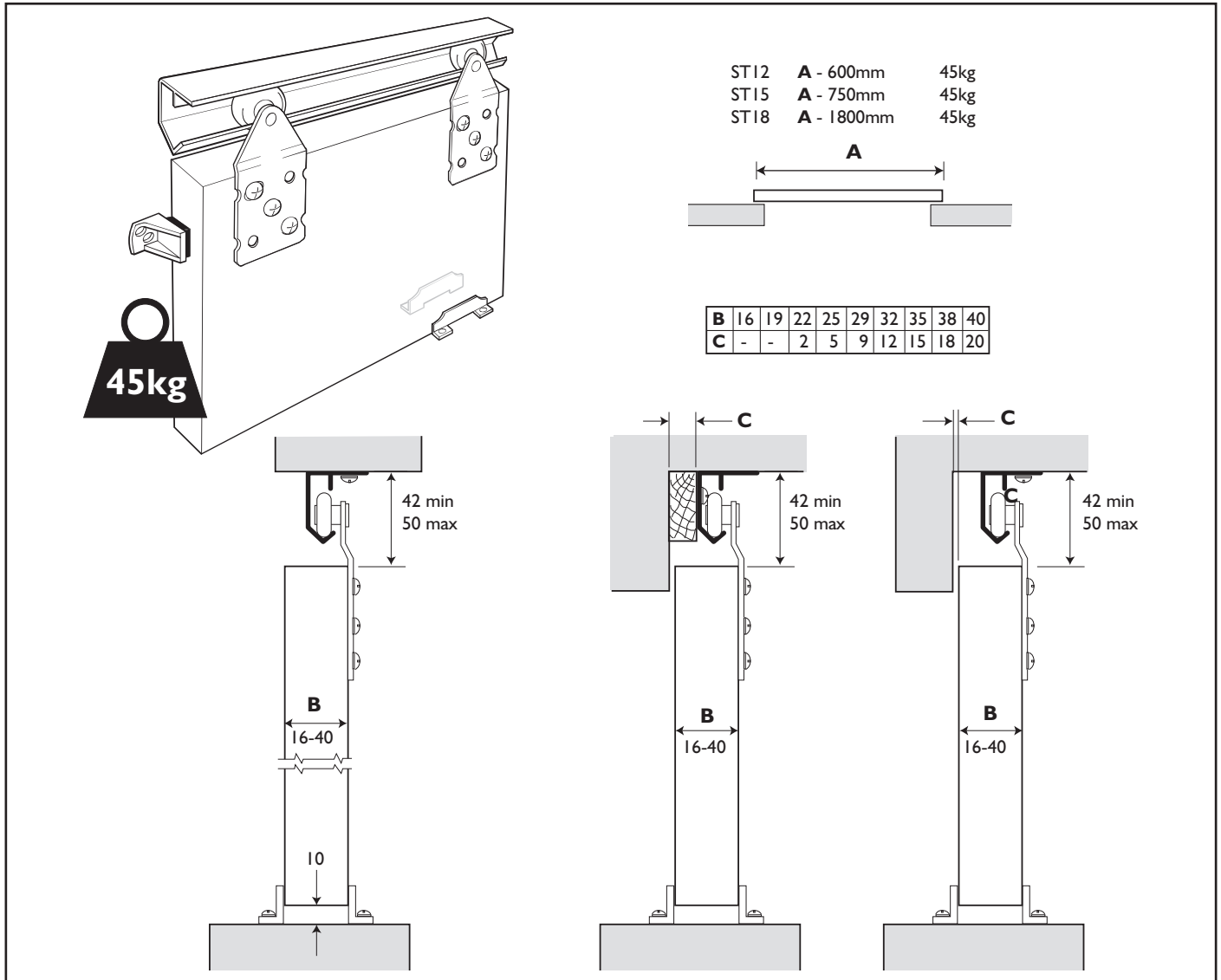
**FITTING INSTRUCTIONS - NOTICE DE POSE - MONTAGE HANDLEIDING - MONTAGEANLEITUNG
ISTRUZIONI DI MONTAGGIO - INSTRUCCIONES DE MONTAJE**

Warranty. This product is covered by a 10 year manufacturer's warranty. Please see the P C Henderson website for terms and conditions.

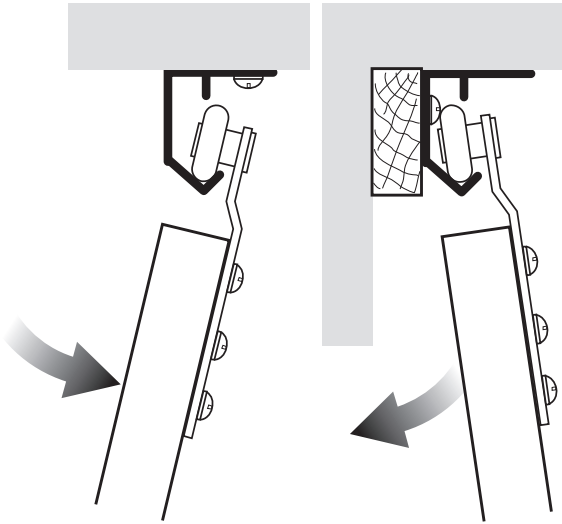
WATCH THE INSTALLATION VIDEO

Visit: www.pchenderson.com/single-top-installation

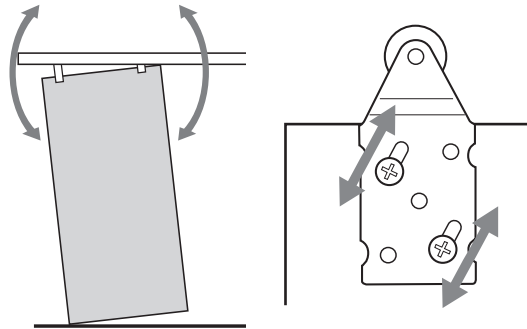
Or scan the QR code using your phone



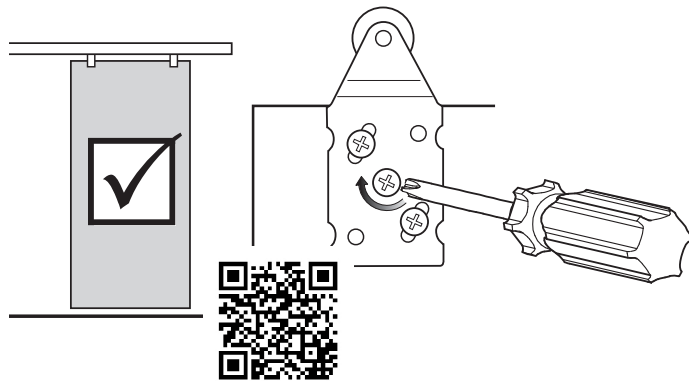
3 Position door into track



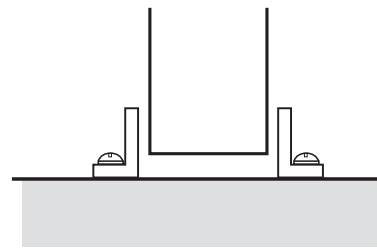
4 Adjust door height



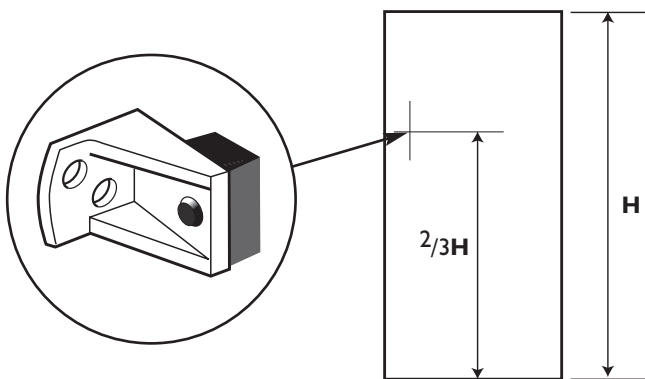
5 Lock the hangers when the door is in position



6 Centre door between guides



7 Fit door stop



(All dimensions are in mm.)

