

DOUBLE TOP

For double track sliding wardrobe doors. Max 45kg.

APPLICATION

- For heavy duty applications – larger wardrobes and cupboards in hotels, schools and offices
- For timber, timber framed or composite doors
- Silent – nylon wheeled ball bearing hangers and aluminium track
- Easily adjusted door height
- Alternative guide channel systems available

DOOR SPECIFICATION

Track System **Double Top**

For Individual Doors:

| | |
|-----------------|---------|
| Max Door Weight | 45kg |
| Max Door Width | 900mm |
| Door Thickness | 16-40mm |
| Max Door Height | 2400mm |

STANDARD SETS AND PACK

Sets comprise of jump-proof, face/soffit fixing aluminium section track, ball bearing hangers, nylon guides, rubber-buffered stop, all screws and fitting instructions.

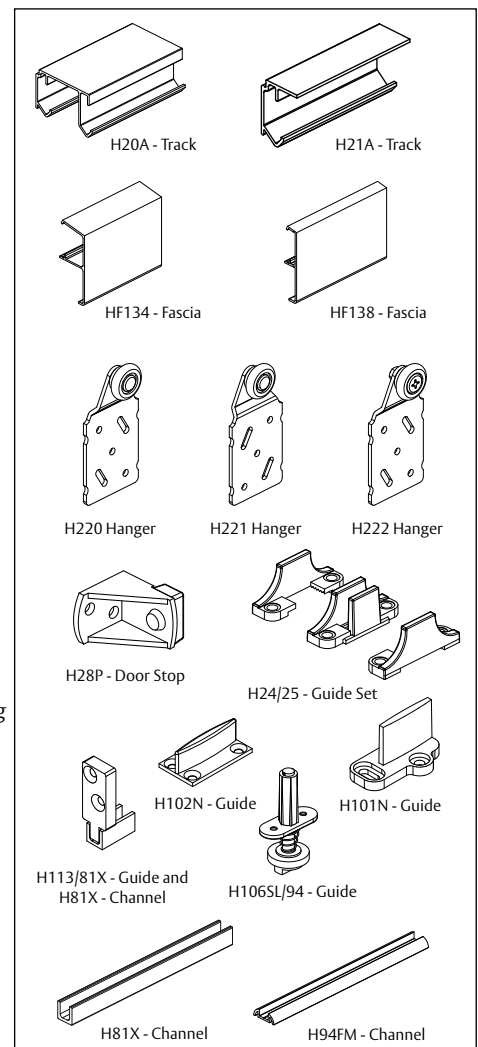
| Set No. | Opening width | Track length | Hardware for |
|-------------|---------------|--------------|--------------|
| HW12 | 1200mm | 1200mm | 2 doors |
| HW15 | 1500mm | 1500mm | 2 doors |
| HW18 | 1800mm | 1800mm | 2 doors |
| HW24 | 2400mm | 2400mm | 3 doors |

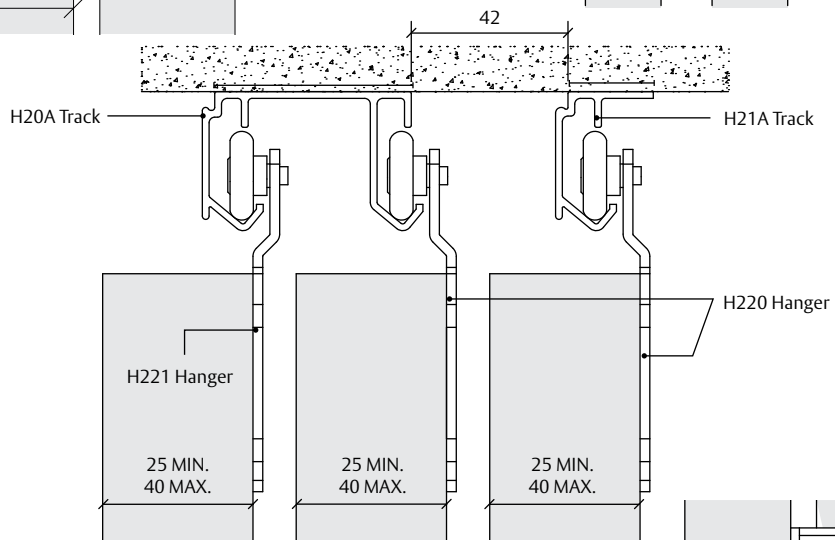
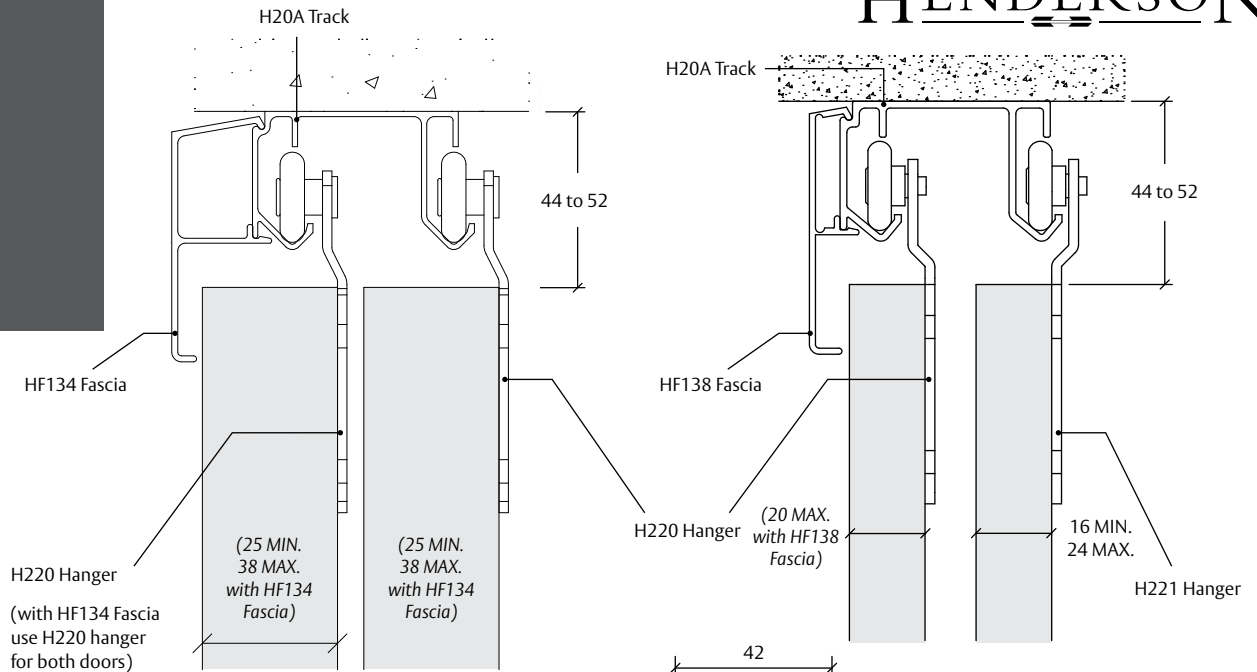
| Pack No. | Application |
|-------------|---------------------------|
| HW01 | Single door fittings pack |
| HW02 | Two door fittings pack |

HARDWARE SPECIFICATION

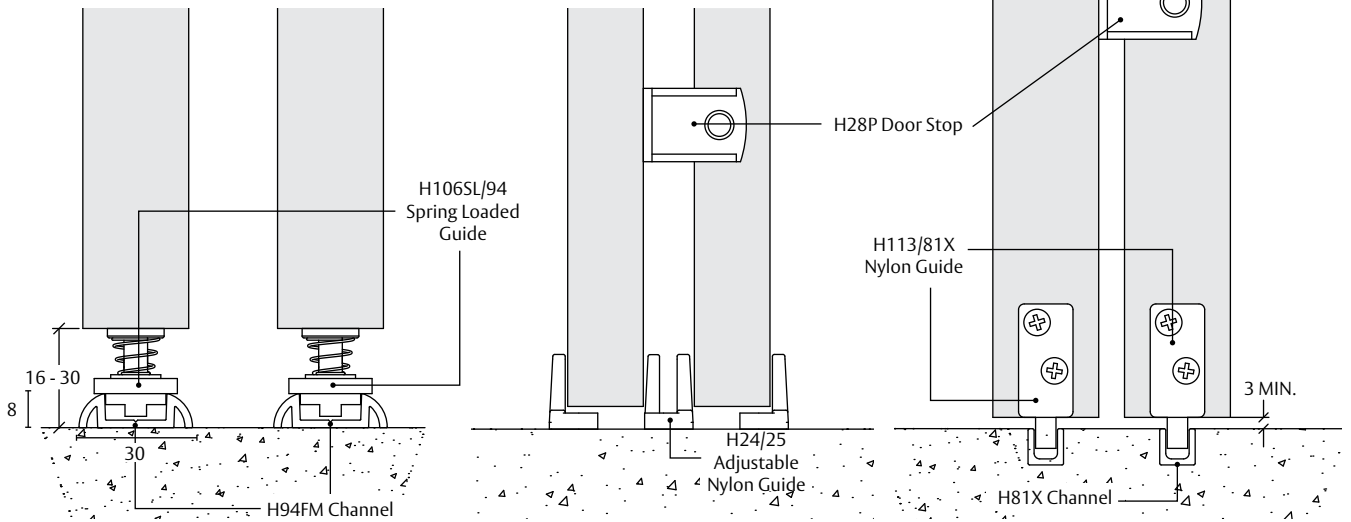
| | | | |
|-----------------------------|--|--|--|
| Track | H20A | Aluminium (3000mm length) | |
| Hangers (2 per door) | H220 | Outer offset hanger | |
| | H221 | Inner offset hanger | |
| | H222 | Reversible offset hanger | |
| Door Stop | H28P | Rubber-buffered stop | |
| Guides | H24/25 | Nylon adjustable guide set 1 guide set for 2 doors, 2 sets for 3 doors. Included in door sets and packs. Alternative guides available. | |
| | | | |
| Accessories | Track | H21A Aluminium single track (3000mm length) | |
| | Guides | H101N | Nylon saw cut guide |
| | | H102N | Nylon saw cut guide |
| | | H106SL/94 | Spring loaded guide (suits H81X channel & H94FM channel) |
| | | H113/81X | Nylon guide (suits H81X channel) |
| Channels | <i>For heavy duty applications or where more than 3 doors are required per opening</i> | | |
| | H81X | Aluminium channel (1200, 1500, 1800, 2400 & 3600mm lengths) | |
| | H94FM | Aluminium channel (2000, 3000, 4000 & 6000mm lengths) | |
| Pelmet | HF134/# | Fascia for soffit fixed applications for doors up to 38mm thick | |
| | HF134/ECP | Fascia end cap pack | |
| | HF138/# | Fascia for soffit fixed applications for doors up to 20mm thick | |
| | HF138/ECP | Fascia end cap pack | |

Note: Replace # with 2000, 3000, 4000mm lengths. All fascia anodised finish





NOT TO SCALE



Double Top – 2 Door Application

Double Top – 3 Door Application

