

DOUBLE TOP LITE

For top hung sliding wardrobe doors. Max 27kg each.

APPLICATION

- For built-in furniture, i.e. wardrobes and cupboards in residential applications
- Easily adjusted door height
- Alternative guide channel systems available

DOOR SPECIFICATION

Track System Double Top Lite

For Individual Doors:

Max Door Weight 27kg
Door Thickness 16-38mm

Lightly framed timber doors or doors made from medium density fibreboard (MDF) must have provision for hangers to be screwed securely to the back face of the doors.

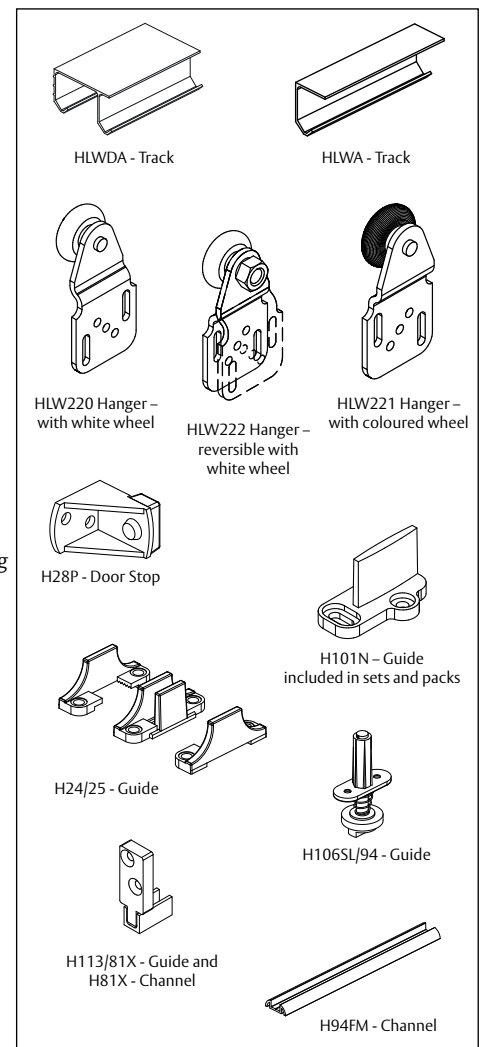
STANDARD SETS AND PACKS

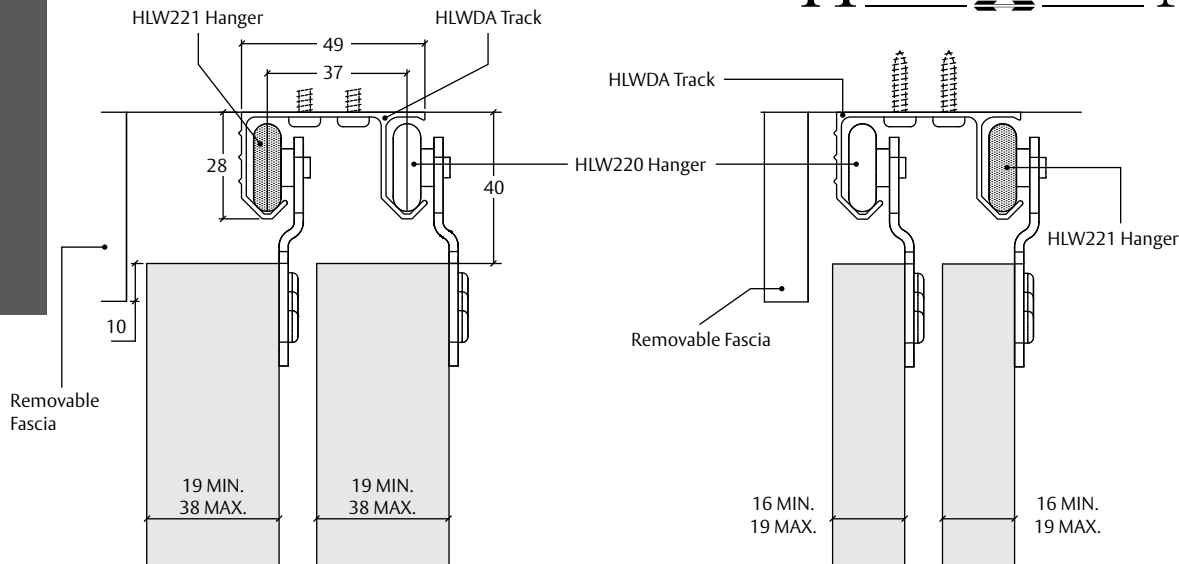
Sets comprise top track, hangers, door stop(s), saw cut guide(s), all screws and fitting instructions.

Set No.	Opening width	Track length	Hardware for
HLW12	1200mm	1200mm	2 doors
HLW15	1500mm	1500mm	2 doors
HLW18	1800mm	1800mm	2 doors
HLW24	2400mm	2400mm	3 doors
Pack No.	Application		
HLW01	1 door pack		

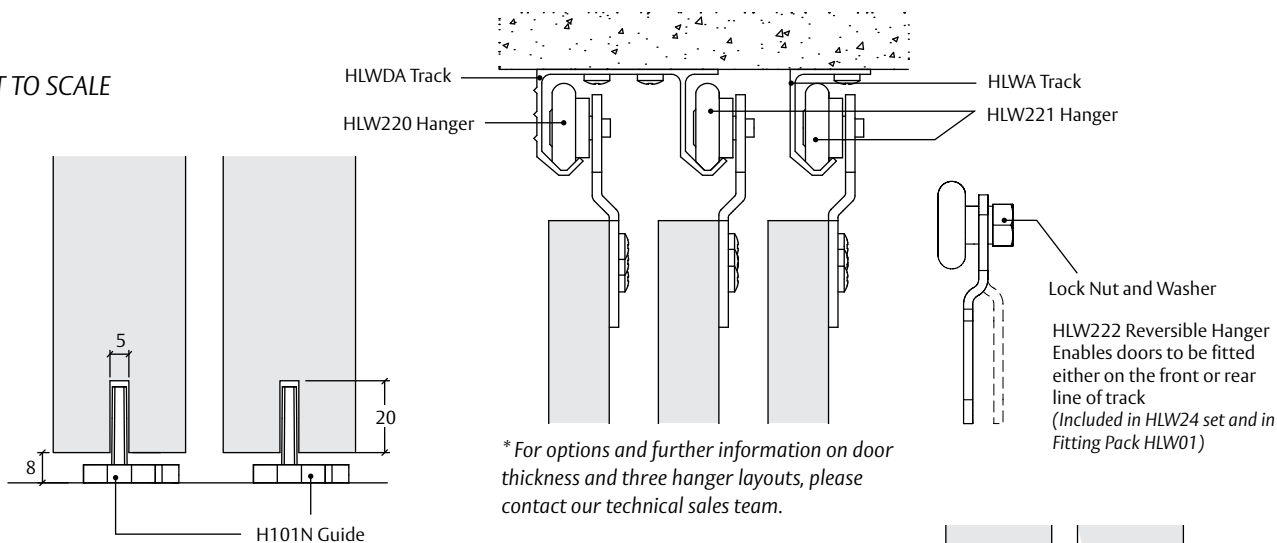
HARDWARE SPECIFICATION

Track	HLWDA	Aluminium (1200, 1500, 1800, 2400 & 4800mm lengths)		
Hangers (2 per door)	HLW220	Outer offset hanger		
	HLW221	Inner offset hanger		
	HLW222	Reversible offset hanger		
Door Stop	H28P	Rubber-buffered stop		
Guides	H101N	Nylon saw cut guide		
Accessories	Single track	HLWA	Aluminium (1200, 1500, 1800, 2400 & 4800mm lengths)	
		Guides	H24/25	Adjustable nylon guide
		H106SL/94	Spring loaded guide (suits H81X channel & H94FM channel)	
	H113/81X	Nylon guide (suits H81X channel)		
Channels	<i>For heavy duty applications or where more than 3 doors are required per opening</i>			
	H81X	Aluminium channel (1200, 1500, 1800, 2400 & 3600mm lengths)		
	H94FM	Aluminium channel (2000, 3000, 4000 & 6000mm lengths)		

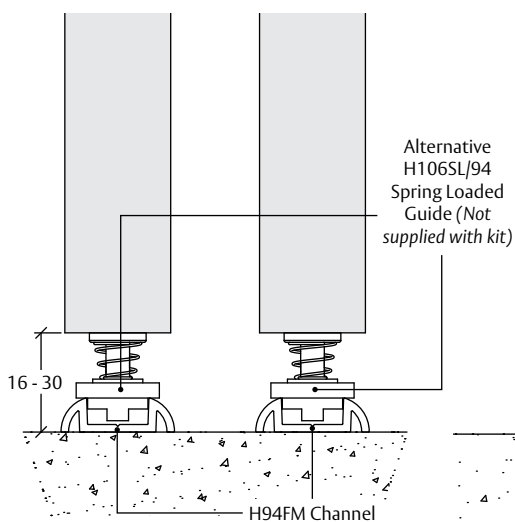




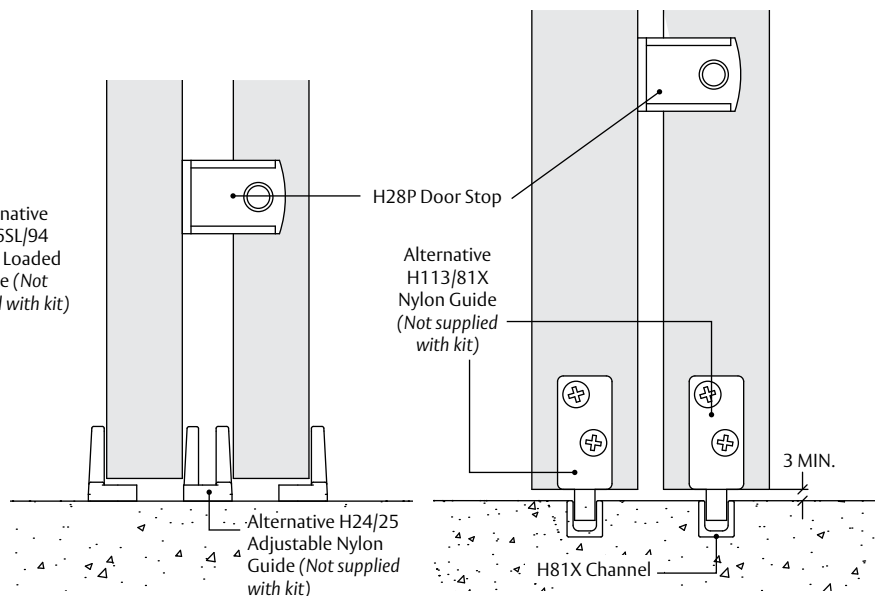
NOT TO SCALE



* For options and further information on door thickness and three hanger layouts, please contact our technical sales team.



Double Top Lite – 2 Door Application



Double Top Lite – 3 Door Application

