

## IMPERIAL 200

For bottom roller sliding residential doors. Max 200kg each.

### APPLICATION

- For timber sliding doors, interior and exterior applications
- Designed for straight sliding partitions or fully glazed patio doors and flushed panel doors
- Suited for where the supporting structure or lintel is insufficient for the weight of the door or where headroom is limited
- To cover the width of opening, any number of doors can be used on single or multiple lines or rail, doors can slide to one or both sides
- Where fitted externally, a canopy is recommended to protect the top guide channel, brackets and top guide rollers

### DOOR SPECIFICATION

**Rail System** Imperial 200

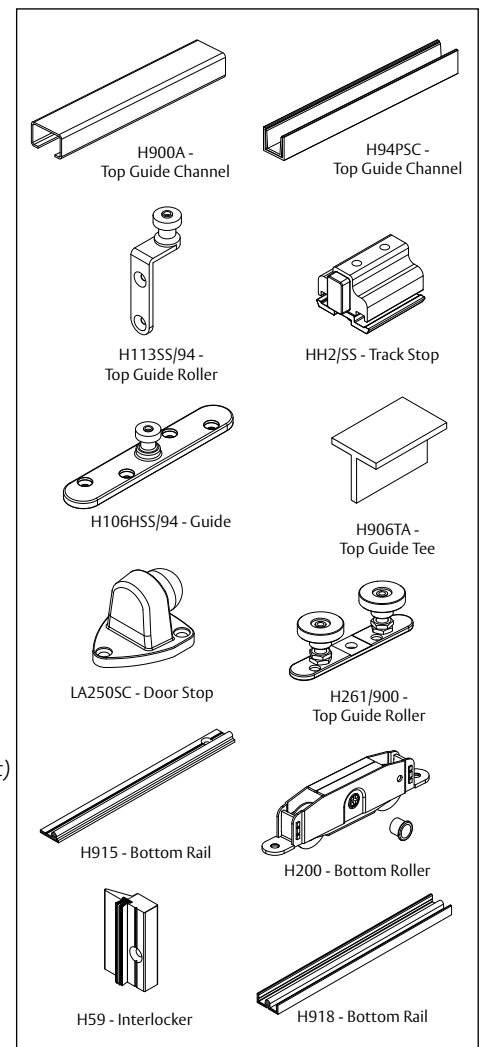
For Individual Doors:

Max Door Weight 200kg  
Min Door Thickness 40mm  
Max Door Height 3000mm

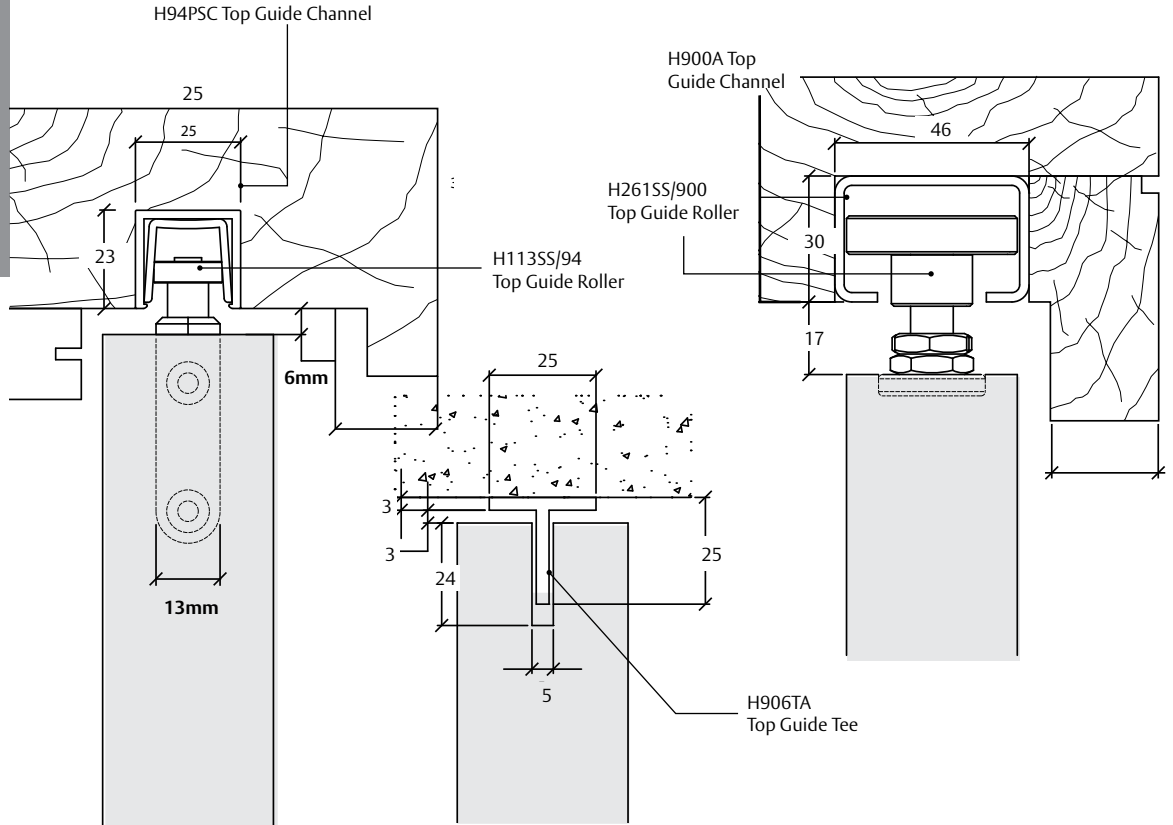
Doors can be constructed with bottom rails of at least 150mm depth to accommodate the concealed, mortised bottom rollers. Door weight is carried on the floor permitting the use of a light overhead structure.

### HARDWARE SPECIFICATION

<b>Top Guide Tee</b>	<b>H906TA</b>	Light Duty - Aluminium <i>Not recommended in situations where the door is likely to warp since the door could bind on the tee. The preferred option is the top guide channel and rollers. Top tee guide is drilled and countersunk for direct fitting to soffit.</i>
<b>Top Guide Channel</b>	<b>H94X</b> <b>H94X/A</b> <b>H94P</b> <b>H94PSC</b>	Aluminium (2000, 3000, 4000 & 6000mm lengths) Anodised aluminium (2000, 3000, 4000 & 6000mm lengths) Polypropylene (2000, 3000, 4000 & 6000mm lengths) Aluminium supporting channel and polypropylene (2000, 3000, 4000 & 6000mm lengths)
<b>Brackets</b>	<b>H900A</b> <b>H1/SS</b> <b>H5H/SS</b>	Anodised aluminium (2000, 3000, 4000 & 6000mm lengths) For single line - face fixed stainless steel For double line - face fixed stainless steel <i>Fix at 900mm centres (max.)</i>
<b>Top Guide Rollers (2 per door)</b>	<b>H106HSS/94</b> <b>H113SS/94</b> <b>H261SS/900</b>	Timber doors - concealed fixing with SS bearing Corner fitting - stainless steel with stainless steel bearings Top plate fitting for 900 channels - stainless steel with anti-rattle double nylon rollers
<b>Bottom Rollers (2 per door)</b>	<b>H200</b>	Stainless steel with precision stainless steel ball bearing wheels with side access adjustment <i>(black and white plug included)</i>
<b>Bottom Rail</b>	<b>H915B</b> <b>H915X</b> <b>H918</b>	Brass (2000, 3000, 4000 & 6000mm lengths) Aluminium (2000, 2500, 3000 & 4000mm lengths) Brass (1500, 2000 & 3000mm lengths) <i>Drilled and countersunk</i>
<b>Accessories</b>		
<b>Interlocking Seal</b>	<b>H59BZ/4800</b> <b>H59CA/4800</b>	Bronze anodised (4800mm to suit typical 2400mm door height) Clear anodised aluminium (4800mm to suit typical 2400mm door height)
<b>Frame Seal</b>		<i>Please contact our Technical Sales Team for more information</i>
<b>Door Stop</b>	<b>HH2/SS</b> <b>LA250C</b>	In channel door stop to suit 900 channel Floor mounted door stop



HENDERSON



NOT TO SCALE

