



# Electromechanical Locking Solutions

Side Load Locks,  
Drop Bolts,  
Electric Strikes,  
Electromagnetic  
Locks, Roller Door  
and Gate Locks,  
Cable Transfers

# Symbols



CE Rated  
Complies with the requirements of the relevant European health, safety and environmental protection legislation



Fire Rated  
Denotes that the product has been successfully tested on fire door assemblies by independent laboratories



C-Tick Approved  
Applies to electrical and electronic devices, indicating compliance with relevant labelling notices and product standards



**Two strong global brands—Dorma and Kaba – have combined forces and are now offering you a comprehensive portfolio of smart & secure access solutions, all from one, reliable source.**

Our new product portfolio includes everything from locks and keys to a fully networked electronic access solution, and everything from door closers and automatic doors to a mobile partition system.

All supported by a comprehensive service network.

# Table of contents



**01** Side Load Locks



**02** Drop Bolts



**03** Electric Strikes



**04** Electromagnetic Locks



**05** Roller Door and Gate Locks



**06** Cable Transfers

# SL30DBL

## COBALT Electronic Side Load Lock

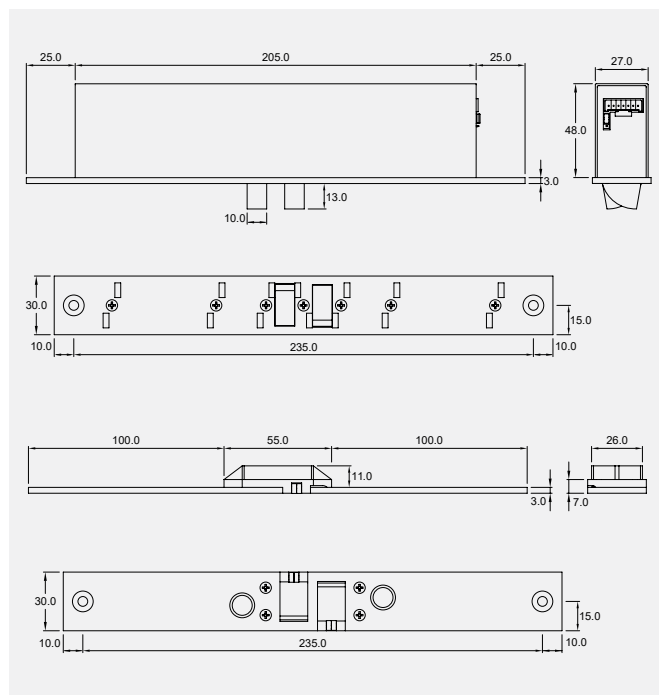
Side Load Locks

The electronic side load lock, COBALT, is a motor driven electronic lock designed to secure commercial and residential double action doors.

The lock addresses the two biggest issues in door locking; the ability to align a misaligned door and the ability to release when requested, even with excessive load on the door. Reliable, secure, convenient.

### Features

- Door misalignment of up to 8mm is corrected
- Side load release - up to 100kgs
- Automatic deadbolting
- Two, 10mm thick stainless steel bolt pin
- Reverse polarity and transient protection
- Multiple attempts to lock
- Convert from fail safe to fail secure by repositioning a single jumper
- Door and bolt position monitors
- Mortice mount horizontally or vertically, on double acting doors
- Surface mount with the aid of the SL30DBL accessories, including mounting onto glass



### Specifications

<b>Lock</b>	255L x 30W x 51D(mm)
<b>Long Strike</b>	255L x 30W x 14D(mm)
<b>Housing</b>	258L x 34W x 55D(mm)
<b>Dress Plate</b>	260L x 0.7W x 58D(mm)
<b>Holding Force</b>	10,000N (1000Kg)
<b>Door Misalignment</b>	+/- 8mm
<b>Side Load Release</b>	Up to 100kg opening load on door
<b>Voltage at Lock</b>	12 - 24VDC +/-15%
<b>Current Usage</b>	
Holding	<50mA@12V, <30mA@24V
Operating	<250mA@12V, <200mA@24V
Stall	<1A@12V, <0.05A@24V
<b>Monitors Switches</b>	
Bolt Position	30VDC, 0.1A
Door Position	100VDC, 0.5A
<b>Endurance</b>	300,000 cycles normal operation

### Dimensions - Lock

Part No.	Description
SL30DBL	Side load lock 12-24VDC Monitored
<b>SL30DBL to retrofit V Lock</b>	
SL30DBL256	Side load lock 256mm long

# SL30SGL

## COBALT - mini Electronic Side Load Lock

The electronic side load lock, COBALT-mini, is a motor driven electronic lock designed to secure commercial and residential single action doors.

Its small footprint ensures the Cobalt-mini can be installed in most locations however it still has the ability to pull a door in tightly against a seal and will release instantly when requested, even with excessive load on the door.

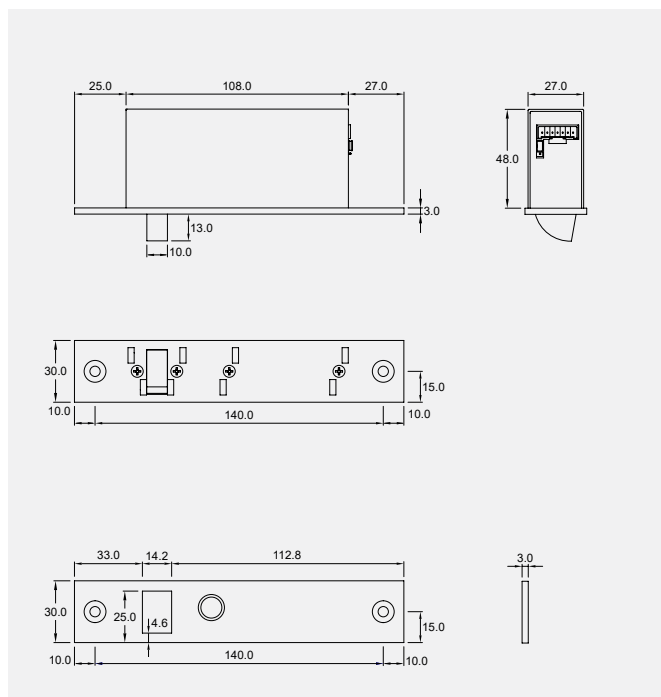
### Features

- Door misalignment of up to 8mm is corrected
- Side load release - up to 100kgs
- Automatic deadbolting
- 10mm thick stainless steel bolt pin
- Reverse polarity and transient protection
- Multiple attempts to lock
- Convert from fail safe to fail secure by repositioning a single jumper
- Door and bolt position monitors
- Mortice mount horizontally or vertically, on single acting doors
- Surface mount with the aid of the SLA30SGL accessories, including mounting onto glass



### Specifications

<b>Lock</b>	160L x 30W x 51D(mm)
<b>Long Strike - SLA213H</b>	160L x 30W x 14D(mm)
<b>Housing - SLA214J</b>	163L x 34W x 55D(mm)
<b>Dress Plate - SLA216J</b>	165L x 0.7W x 58D(mm)
<b>Holding Force</b>	10,000N (1000Kg)
<b>Door Misalignment</b>	Up to 8mm
<b>Side Load Release</b>	Up to 100kg opening load on door
<b>Voltage at Lock</b>	12 - 24VDC +/-15%
<b>Current Usage</b>	
Holding	<50mA@12V, <30mA@24V
Operating	<250mA@12V, <200mA@24V
Stall	<1A@12V, <0.05A@24V
<b>Monitors Switches</b>	
Bolt Position	30VDC, 0.1A
Door Position	100VDC, 0.5A
<b>Endurance</b>	300,000 cycles normal operation



### Dimensions - Lock

Part No.	Description
SL30SGL	Side load lock 12-24VDC Monitored

# Side Load Locks

## Accessories - SL30 Series



**SLA203H**  
Long Square Hole Strike  
255L x 30W x 14D(mm)



**SLA204J**  
Housing  
258L x 34W x 55D(mm)



**SLA206J**  
Dress Plate  
260L x 0.7W x 58D(mm)



**SLA223H**  
Long Square Hole Strike  
256L x 30W x 14D(mm)



**SLA213H**  
Long Square Hole Strike  
160L x 30W x 14D(mm)



**SLA214J**  
Housing  
163L x 34W x 55D(mm)



**SLA216J**  
Dress Plate  
165L x 0.7W x 58D(mm)

Part No.	Description
SLA203H	Long square hole strike for SL30DBL
SLA204J	Housing SL30DBL
SLA206J	Dress plate SL30DBL
SLA223H	Long square hole strike (256mm) for SL30DBL256
SLA213H	Long square hole strike for SL30SGL
SLA214J	Housing for SL30SGL
SLA216J	Dress Plate for SL30M

# DB25

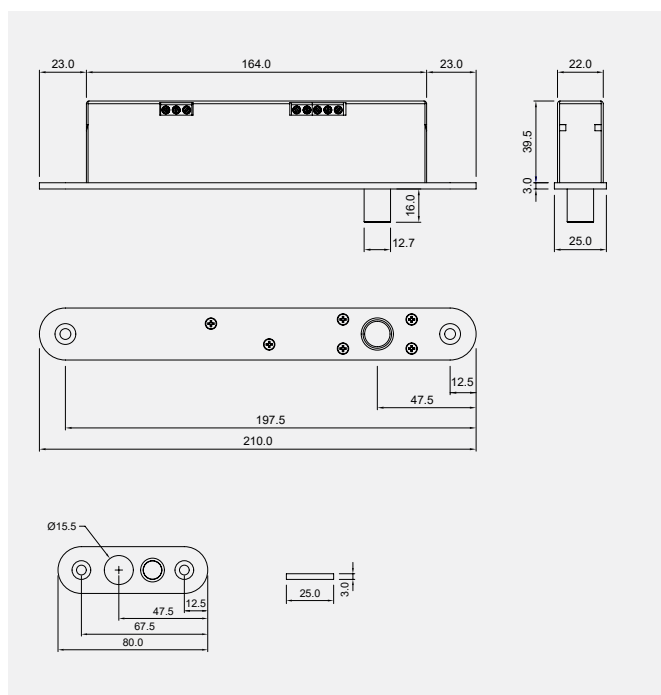
## Electronic Deadbolt Lock

The DB25 incorporates advanced design, quality and electronic ingenuity to provide a secure, yet versatile, door locking device.

With integrated access control features and robust engineering, the DB25 is a high security streamlined lock suitable for use on any single or double acting door.

### Features

- Automatic deadbolting
- 12.7mm diameter stainless steel bolt pin
- Anti-tailgate and Anti-tamper
- Auto-relock after 0/3/6/9 seconds
- Multiple attempts to lock and unlock
- Thermal overheating protection
- Reverse polarity and transient protection
- Dual monitoring with door and bolt position monitors
- Mortise mount horizontally or vertically, on single or double acting doors
- Surface mount with the aid of the DB25 accessories, including mounting onto glass



### Dimensions - Lock



### Specifications

<b>Lock</b>	210L x 25W x 42D(mm)
<b>Short Strike - DBA103A</b>	80L x 25W x 3D(mm)
<b>Long Strike - DBA103E</b>	210L x 25W x 3D(mm)
<b>Housing - DBA104J</b>	225L x 29W x 46.5D(mm)
<b>Dress Plate - DBA106J</b>	225L x 0.7W x 50D(mm)
<b>Holding Force</b>	10,000N (1000Kg)
<b>Voltage at Lock</b>	12 - 24VDC +/-10%
<b>Current Usage</b>	
Holding	160mA@12V, 95mA@24V
Operating	1.25A@12V, 1A@24V
<b>Monitors Switches</b>	
Bolt Position	25VDC, 0.5A
Door Position	100VDC, 0.5A
<b>Endurance</b>	Cycle tested to 1000000 operations
<b>Materials</b>	Plastics: POM, Stainless Steel: 304

Part No.	Description
DB25PTL	Drop bolt 12-24VDC Fail safe Monitored
DB25PTO	Drop bolt 12-24VDC Fail secure Monitored

# DB25L

## Electronic Deadbolt Lock - Mag-latch

The DB25L incorporates a unique latching device that is a world first in electronic deadbolts.

Door alignment problems vanish with the innovative design which ensures the correct positioning of the lock and strike every time. Incorporating access control functions, and the highest quality componentry

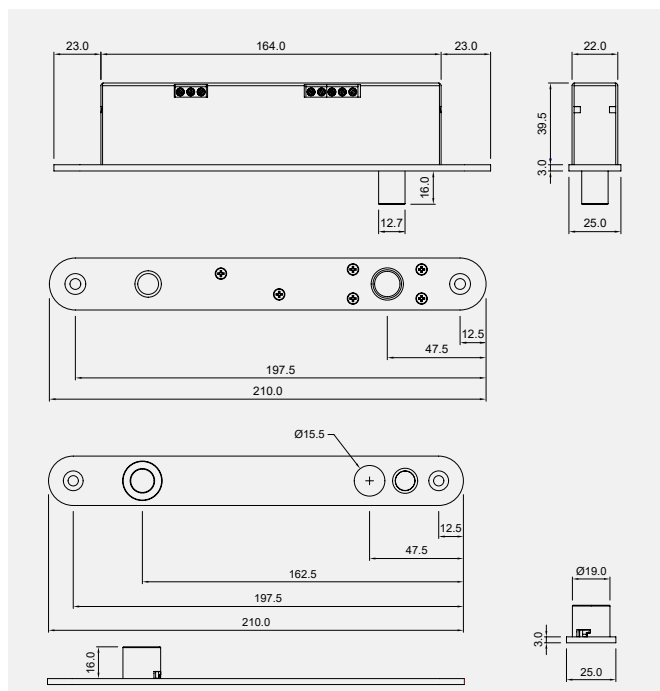
### Features

- Dual Action - magnetic latch to capture the door and deadbolt to secure the door
- Automatic deadbolting
- 12.7mm diameter stainless steel bolt pin
- Anti-tailgate and Anti-tamper
- Auto-relock after 0/3/6/9 seconds
- Multiple attempts to lock and unlock
- Thermal overheating protection
- Reverse polarity and transient protection
- Dual monitoring with door and bolt position monitors
- Mortise mount horizontally or vertically, on single or double acting doors
- Surface mount with the aid of the DB25L accessories, including mounting onto glass



### Specifications

<b>Lock</b>	210L x 25W x 42D(mm)
<b>Long Strike - DBA133E</b>	210L x 25W x 3D(mm)
<b>Housing - DBA104J</b>	225L x 29W x 46.5D(mm)
<b>Dress Plate - DBA106J</b>	225L x 0.7W x 50D(mm)
<b>Holding Force</b>	10,000N (1000Kg)
<b>Voltage at Lock</b>	12 - 24VDC +/-10%
<b>Current Usage</b>	
Holding	160mA@12V, 95mA@24V
Operating	1.25A@12V, 1A@24V
<b>Monitors Switches</b>	
Bolt Position	25VDC, 0.5A
Door Position	100VDC, 0.5A
<b>Endurance</b>	Cycle tested to 1000000 operations
<b>Materials</b>	Plastics: POM, Stainless Steel: 304



### Dimensions - Lock

Part No.	Description
DB25LPTL	Drop bolt 12-24VDC Fail safe Monitored
DB25LPTO	Drop bolt 12-24VDC Fail secure Monitored



# DB25K

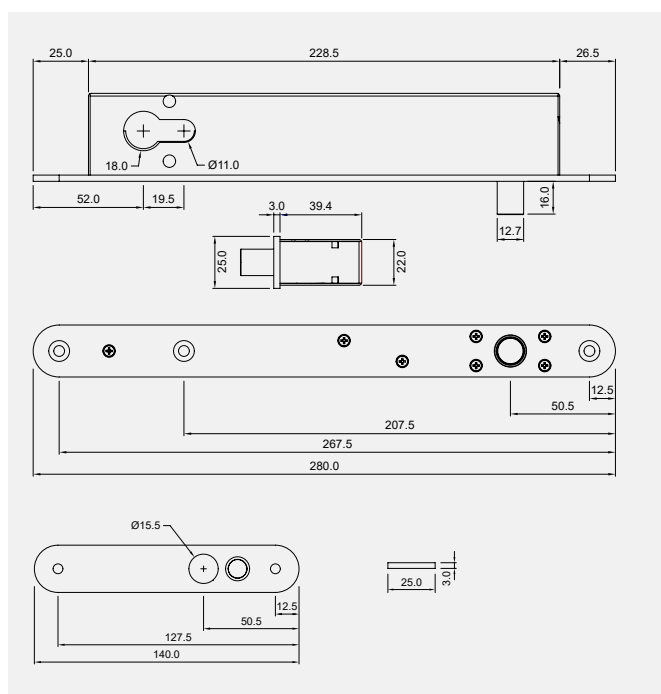
## Electronic Deadbolt Lock

Incorporates the same advanced design, quality and electronic ingenuity as the DB25 with the added flexibility of a manual key override.

Despite the addition of the key override mechanism the streamlined design is maintained allowing the DB25K to provide a high security, yet versatile, door locking solution.

### Features

- A Euro style key cylinder can be used to manually control the lock
- Automatic deadbolting
- 12.7mm diameter stainless steel bolt pin
- Anti-tailgate and Anti-tamper
- Auto-relock after 0/3/6/9 seconds
- Multiple attempts to lock and unlock
- Thermal overheating protection
- Reverse polarity and transient protection
- Dual monitoring with door and bolt position monitors
- Mortice mount horizontally or vertically, on single or double acting doors
- Surface mount with the aid of the DB25K accessories, including mounting onto glass



### Dimensions - Lock



### Specifications

<b>Lock</b>	280L x 25W x 42D(mm)
<b>Short Strike - DBA143A</b>	140L x 25W x 3D(mm)
<b>Long Strike - DBA143E</b>	280L x 25W x 3D(mm)
<b>Bolt Housing - DBA144J</b>	294L x 29W x 46.5D(mm)
<b>Strike Housing - DBA145J</b>	294L x 29W x 46.5D(mm)
<b>Dress Plate - DBA146J</b>	294L x 0.7W x 50D(mm)
<b>Holding Force</b>	10,000N (1000Kg)
<b>Voltage at Lock</b>	12 - 24VDC +/-10%
<b>Current Usage</b>	
Holding	160mA@12V, 95mA@24V
Operating	1.25A@12V, 1A@24V
<b>Monitors Switches</b>	
Bolt Position	25VDC, 0.5A
Door Position	100VDC, 0.5A
<b>Endurance</b>	Cycle tested to 1000000 operations
<b>Materials</b>	Plastics: POM, Stainless Steel: 304

Part No.	Description
DB25KPTL	Drop bolt 12-24VDC Fail safe Monitored
DB25KPTO	Drop bolt 12-24VDC Fail secure Monitored

# DB38

## Electronic Deadbolt Lock - Heavy Duty

Offering the highest level of security with increased strength, primarily achieved by utilizing a larger diameter bolt pin, the DB38 is the preferred option when high physical strength is required.

Incorporating advanced design, quality and electronic ingenuity to provide a secure, yet versatile, door locking device suitable for use on any single or double acting door.

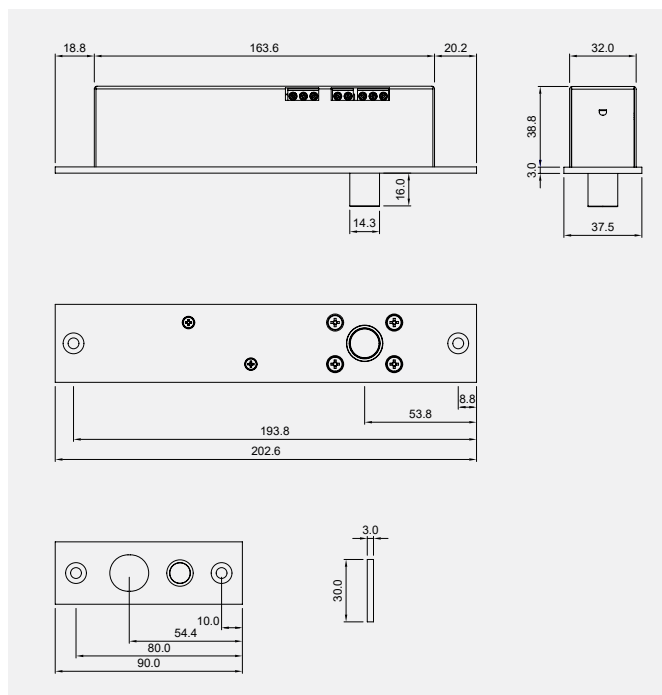
### Features

- Automatic deadbolting
- 14.2mm diameter stainless steel bolt pin
- Anti-tailgate and Anti-tamper
- Auto-relock after 0/3/6/9 seconds
- Multiple attempts to lock and unlock
- Thermal overheating protection
- Reverse polarity and transient protection
- Dual monitoring with door and bolt position monitors
- Mortise mount horizontally or vertically, on single or double acting doors
- Surface mount with the aid of the DB38 accessories, including mounting onto glass



### Specifications

<b>Lock</b>	203L x 37.5W x 44D(mm)
<b>Short Strike - DBA173C</b>	90L x 30W x 3D(mm)
<b>Long Strike - DBA173G</b>	203L x 37.5W x 3D(mm)
<b>Housing - DBA174J</b>	206L x 41W x 49D(mm)
<b>Dress Plate - DBA176J</b>	210L x 0.7W x 50D(mm)
<b>Holding Force</b>	20,000N (2000Kg)
<b>Voltage at Lock</b>	12 - 24VDC +/-10%
<b>Current Usage</b>	
Holding	230mA@12V, 90mA@24V
Operating	1.5A@12V, 1.4A@24V
<b>Monitors Switches</b>	
Bolt Position	25VDC, 0.5A
Door Position	100VDC, 0.5A
<b>Endurance</b>	Cycle tested to 1000000 operations
<b>Materials</b>	Plastics: POM, Stainless Steel: 304



### Dimensions - Lock

Part No.	Description
DB38PTL	Drop bolt 12-24VDC Fail safe Monitored
DB38PTO	Drop bolt 12-24VDC Fail secure Monitored

# DB38L

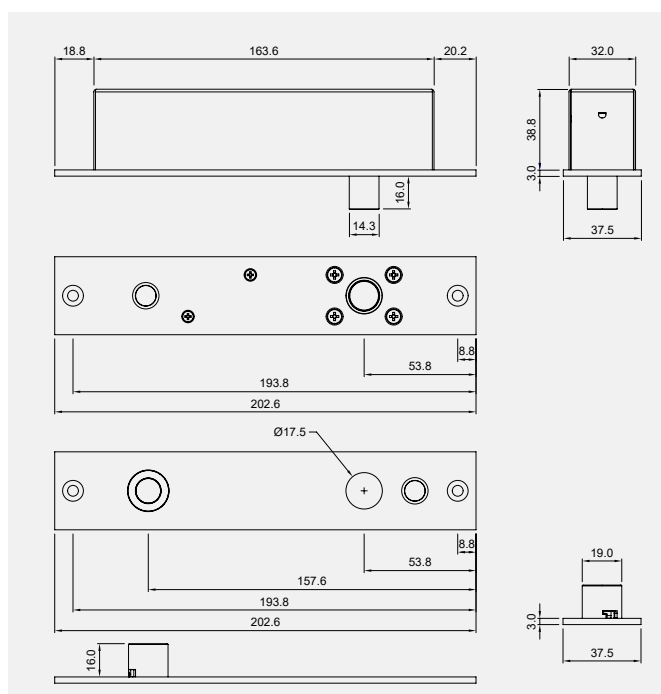
## Electronic Deadbolt Lock - Mag-latch

The DB38L brings together two critical features; the highest holding force of any of the door lock range of products and the innovative latching device designed to align the door.

First the magnetic latch ensures the correct positioning of the lock and strike before the DB38L activates and secures the door with its deadbolting pin.

### Features

- Dual Action - magnetic latch to capture the door and deadbolt to secure the door
- Automatic deadbolting
- 14.2mm diameter stainless steel bolt pin
- Anti-tailgate and Anti-tamper
- Auto-relock after 0/3/6/9 seconds
- Multiple attempts to lock and unlock
- Thermal overheating protection
- Reverse polarity and transient protection
- Dual monitoring with door and bolt position monitors
- Mortise mount horizontally or vertically, on single or double acting doors
- Surface mount with the aid of the DB38L accessories, including mounting onto glass



### Dimensions - Lock



### Specifications

<b>Lock</b>	203L x 37.5W x 44D(mm)
<b>Long Strike - DBA183G</b>	203L x 37.5W x 19D(mm)
<b>Housing - DBA174J</b>	206L x 41W x 49D(mm)
<b>Dress Plate - DBA176J</b>	210L x 0.7W x 50D(mm)
<b>Holding Force</b>	20,000N (2000Kg)
<b>Voltage at Lock</b>	12 - 24VDC +/-10%
<b>Current Usage</b>	
Holding	230mA@12V, 90mA@24V
Operating	1.5A@12V, 1.4A@24V
<b>Monitors Switches</b>	
Bolt Position	25VDC, 0.5A
Door Position	100VDC, 0.5A
<b>Endurance</b>	Cycle tested to 1000000 operations
<b>Materials</b>	Plastics: POM, Stainless Steel: 304

Part No.	Description
DB38LPTL	Drop bolt 12-24VDC Fail safe Monitored
DB38LPTO	Drop bolt 12-24VDC Fail secure Monitored

# Drop Bolt

## Accessories - DB25 Series



**DBA103A**  
Short Strike  
80L x 25W x 3D(mm)



**DBA103E**  
Long Strike  
210L x 25W x 3D(mm)



**DBA104J**  
Housing  
225L x 29W x 46.5D(mm)



**DBA106J**  
Dress Plate  
225L x 0.7W x 50D(mm)



**DBA133E**  
Long Round Hole Strike  
210L x 25W x 3D(mm)



**DBA143A**  
Short Round Hole Strike  
140L x 25W x 3D(mm)



**DBA143E**  
Long Round Hole Strike  
280L x 25W x 3D(mm)



**DBA144J**  
Bolt Housing  
294L x 29W x 46.5D(mm)



**DBA145J**  
Strike Housing  
294L x 29W x 46.5D(mm)



**DBA146J**  
Dress Plate  
294L x 0.7W x 50D(mm)

Part No.	Description
DBA103A	Short strike round for DB25
DBA103E	Long strike round for DB25
DBA104J	Housing DB25/DB25L
DBA106J	Dress plate for DB25/DB25L
DBA133E	Long round Hole Strike for DB25L
DBA143A	Short round hole strike for DB25K
DBA143E	Long round hole strike for DB25K
DBA144J	Housing for DB25K bolt
DBA145J	Housing for DB25K strike
DBA146J	Dress Plate for DB25K

## Drop Bolt

### Accessories - DB 38 Series



**DBA173C**  
Short Round Hole Strike  
90L x 30W x 3D(mm)



**DBA173G**  
Long Round Hole Strike  
203L x 37.5W x 3D(mm)



**DBA174J**  
Housing  
206L x 41W x 49D(mm)



**DBA176J**  
Dress Plate  
210L x 0.7W x 50D(mm)



**DBA183G**  
Long Round Hole Strike

Part No.	Description
DBA173C	Short round hole strike for DB38
DBA173G	Long round hole strike for DB38
DBA174J	Housing for DB38/DB38L
DBA176J	Dress Plate for DB38/DB38L
DBA183G	Long round hole strike for DB38L

# KES100

## Non Monitored Electric Strike

The KES100 Series ANSI electric strike is an economical choice, offering dual voltage 12/24V as standard and an interchangeable fail safe/fail secure feature.

It is constructed of solid zinc alloy housing, a stainless steel keeper and stainless steel face plate. Designed for use with large selection of morticed type locks and has a keeper depth of 16mm. Also included in the package is a 202mm long faceplate, making a single model suitable for all types of wooden, steel and aluminium door frames. Supplied as standard with trim plate to cover any damage to frame during installation.

### Features

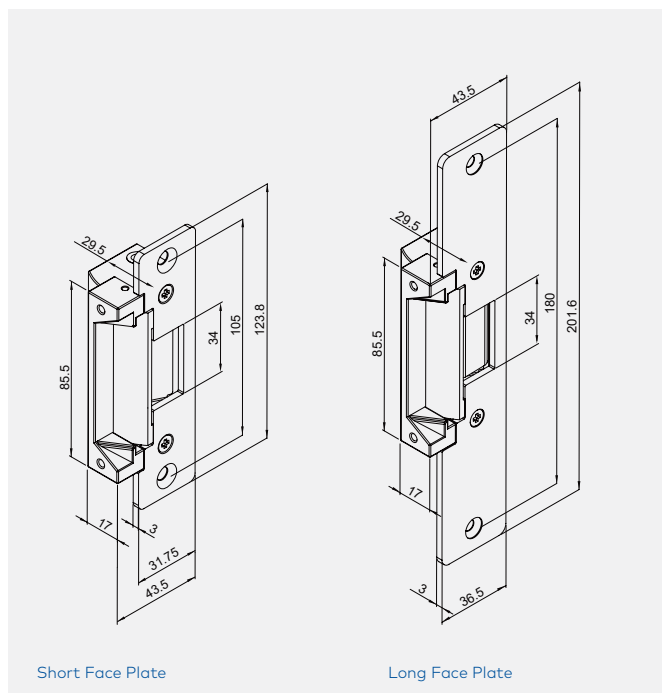
- Fail safe/fail secure interchangeable
- Dual voltage 12/24VDC
- 16mm keeper (allowing 19mm latch throw)
- Includes long face plate for timber frame installation
- Includes trim plate
- Holding force 700kgs (1500lbs) specification
- Optional lip extension brackets are available for wide door jamb



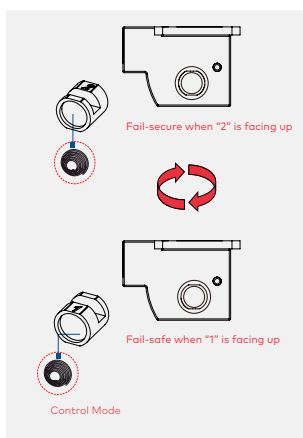
Electric Strikes

### Specifications

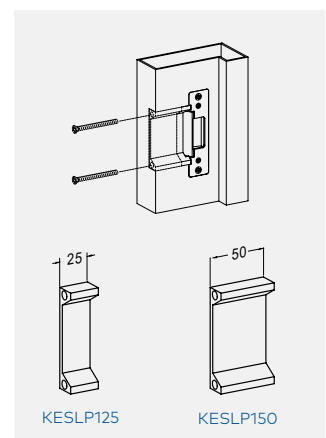
<b>Short Face Plate</b>	124L x 43.5W x 29.5D(mm)
<b>Long Face Plate</b>	202L x 43.5W x 29.5D(mm)
<b>Operating voltage</b>	12/24VDC
<b>Voltage tolerance</b>	+/-15%
<b>Current draw</b>	250mA/12VDC, 150mA/24VDC
<b>Operating temperature</b>	-10° C ~ +45°C
<b>Humidity</b>	0~95%
<b>Latch throw</b>	19mm
<b>Material</b>	Zinc alloy body stainless steel faceplate and keeper



Dimensions - Lock



Version Changeable



Optional Accessories

Part No.	Description
KES100	ANSI Sized Electric 12/24VDC, Non Monitored

# KES1500

## Rim Mounted Electric Strike

The KES1500 Series rim mounted electric strike is an economical choice, offering dual voltage 12/24V as standard and an interchangeable fail safe/fail secure feature.

It is constructed of a solid zinc alloy housing, stainless steel keeper and stainless steel face plate. Designed for use with a large selection of rim mounted lock types. Suitable for wood framed and hollow metal doors.

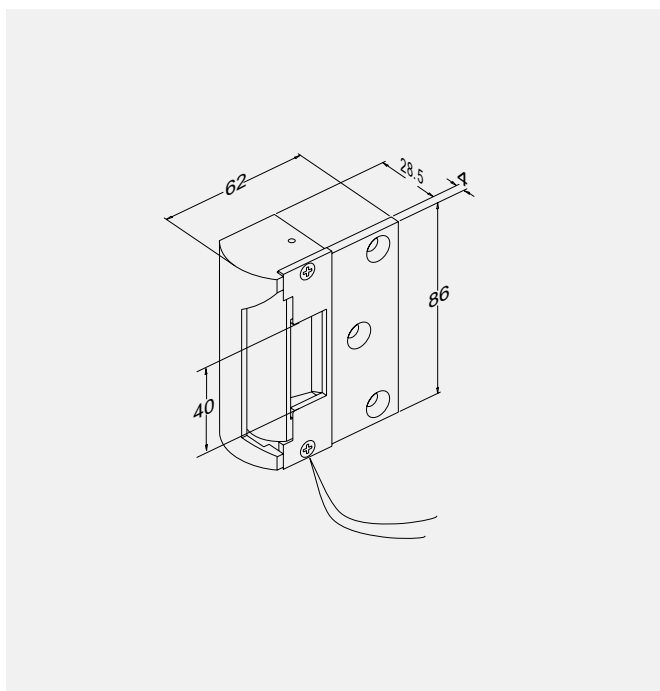
### Features

- Fail safe/fail secure interchangeable
- Dual voltage 12/24V
- Suits latch depth up to 15mm
- Holding force: up to 900kg (2000lb)

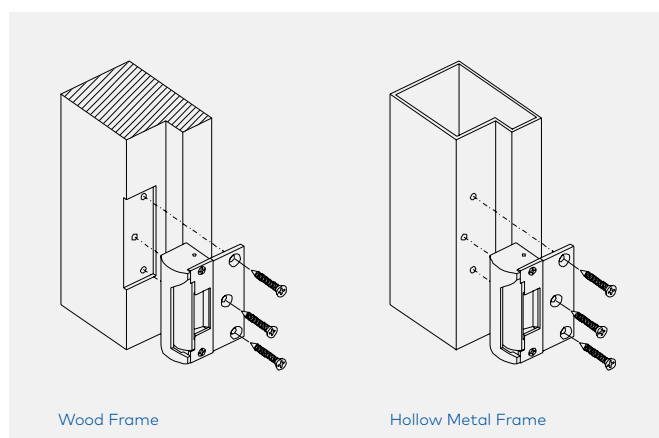


### Specifications

Lock	62L x 86W x 28.5D (mm)
Operating voltage	12/24VDC
Voltage tolerance	+/-15%
Current draw	0.25 A/12VDC: 0.15 A/24VDC (at temperature 20°C)
Operating temperature	-10° C ~ +45°C
Humidity	0-95% non-condensing
Cycle Tested	to 1 million cycles
Material	Zinc alloy body stainless steel faceplate & release lip



Dimensions - Lock



Typical Installation

Part No.	Description
KES1500	Rim Mounted Electric Strike 12/24VDC, Non Monitored

# KES200Z

## Non Monitored Electric Strike

The KES200Z Series is an economical electric strike, designed for use with a large selection of mortice, key in knob and key in lever type locks in both timber and metal frames.

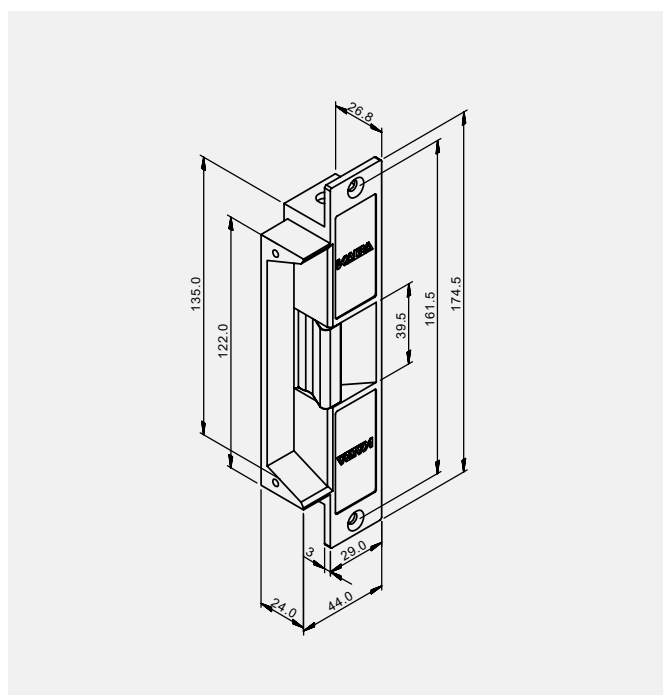
The KES200Z also offers variable voltage from 12VAC/DC to 28VAC/DC as well as a fast and convenient interchangeable fail safe/fail secure function (changeable on site). The unit comes pre-drilled for the optional extension lips. Also included in package is an installation kit for metal frame installation.

### Features

- Fail safe/fail secure interchangeable
- Variable voltage 12~28VAC/DC
- Suits latch depth up to 15mm
- Pre-drilled for optional extension lips
- Includes mounting tabs for metal frame
- Optional lip extension brackets are available for wide door jamb



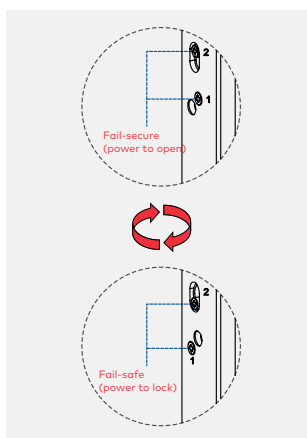
Electric Strikes



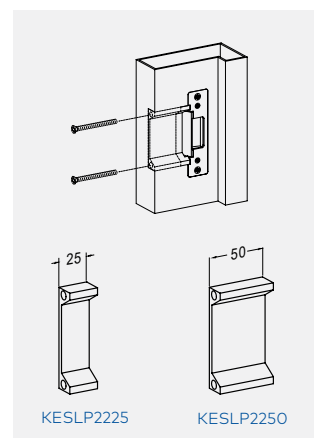
Dimensions - Lock

### Specifications

<b>Lock</b>	175L x 44W x 27D(mm)
<b>Operating voltage</b>	12~28VAC/DC
<b>Voltage tolerance</b>	+/-15%
<b>Current draw</b>	12VDC/210mA, 24VDC/140mA (at temperature 20°C)
<b>Operating temperature</b>	-10° C ~ +45°C
<b>Humidity</b>	0-95% non-condensing
<b>Cycle Tested</b>	to 1 million cycles
<b>Material</b>	Zinc alloy housing stainless steel keeper



Version Changeable



Optional Accessories

Part No.	Description
KES200Z	Electric Strike, Zinc Alloy 12~28VDC/AC, Non Monitored



# KES2200

## Fully Monitored Electric Strike

The KES2200 Series is a high security electric strike, offering a single model including switch monitoring of latch, keeper and solenoid, variable voltage from 12VDC/AC to 28VDC/AC, a fast and convenient interchangeable fail safe/fail secure function (changeable on site).

The construction of housing and keeper are of stainless steel and include pre-drilled holes for optional extension lips. Also included in package is an installation kit for metal frame installation.

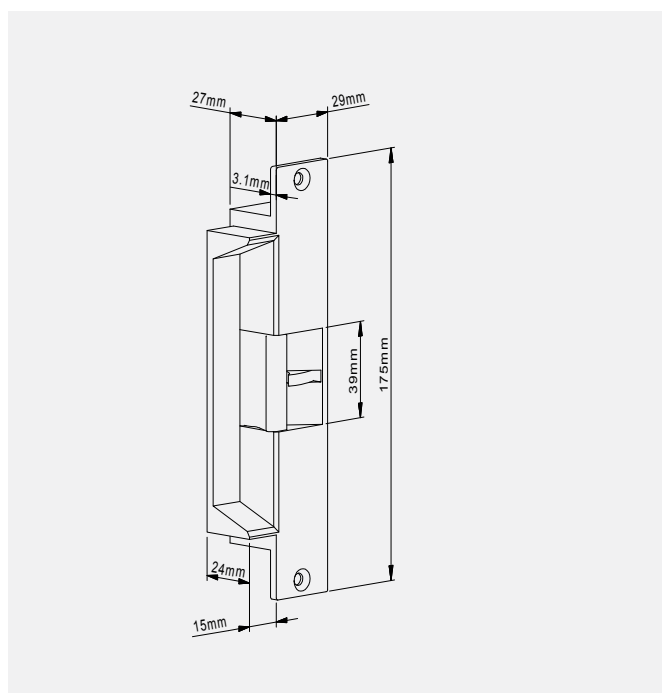
### Features

- Fail safe/fail secure interchangeable
- Variable voltage 12~24VDC
- Suits latch depth up to 15mm
- Monitored latch, keeper and solenoid
- Pre-drilled for optional extension lips
- Includes mounting tabs for metal frame
- Solid stainless steel construction
- Optional lip extension brackets are available for wide door jamb

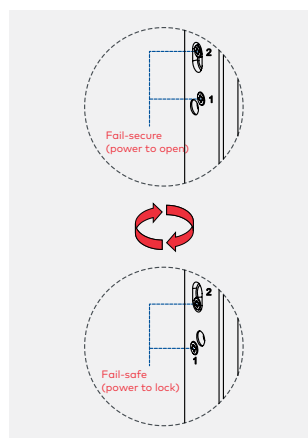


### Specifications

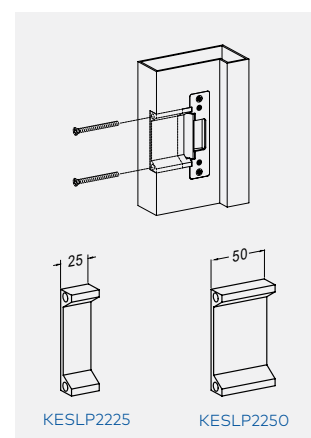
<b>Lock</b>	175L x 44W x 27D(mm)
<b>Operating voltage</b>	12~24VDC
<b>Voltage tolerance</b>	+/-15%
<b>Current draw</b>	12VDC/190mA, 24VDC/130mA (at temperature 20°C)
<b>Latch/Keeper Micro Switch Rating</b>	1A/125VAC
<b>Operating temperature</b>	-10° C ~ +45°C
<b>Humidity</b>	0-95% non-condensing
<b>Cycle Tested</b>	to 1 million cycles
<b>Material</b>	stainless steel housing and keeper



Dimensions - Lock



Version Changeable



Optional Accessories

Part No.	Description
KES2200	Electric Strike, Heavy duty 12~28VDC/AC, Monitored

# Electric Strikes

## Accessories



**KESLP125**  
Lip Extension 25mm



**KESLP150**  
Lip Extension 50mm



**KESLP2225**  
Lip Extension 25mm



**KESLP2250**  
Lip Extension 50mm

Part No.	Description
KESLP125	Lip Extension 25mm, suit KES100
KESLP150	Lip Extension 50mm, suit KES100
KESLP2225	Lip Extension - 25mm, suit KES2200 Electric Strike
KESLP2250	Lip Extension - 50mm, suit KES2200 Electric Strike

## KML-2

### Morticed Type Electromagnetic Lock

The KML-2 is a morticed type electromagnetic lock which can be used on single and double sliding doors.

It has a holding force 270KGS and dual voltage with both lock and door sensor. It also features a built-in voltage spike suppressor and is C-Tick, UL Listed and CE approved.

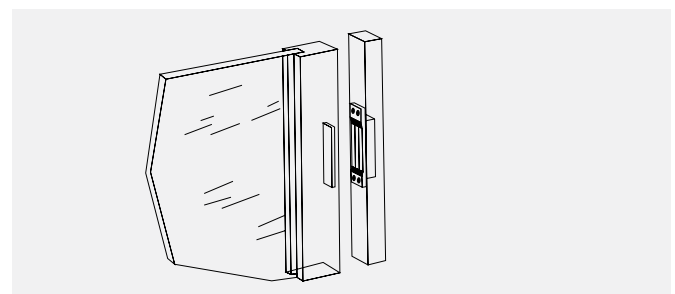
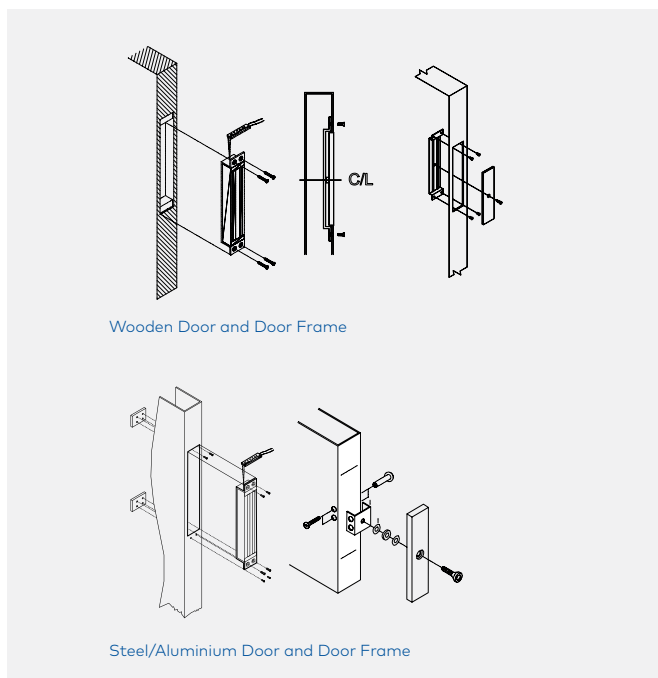
#### Features

- Mortised Type - Single door, sliding door and double action door
- Built-in Voltage Spike Suppressor
- Lock Sensor (hall effect IC)
- Door Sensor
- Anti Residual magnetism device (ARM)



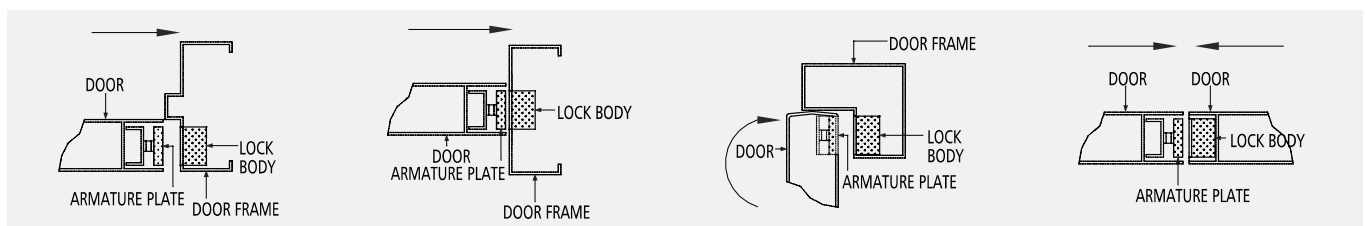
#### Specifications

<b>Lock</b>	228L x 38W x 27D(mm)
<b>Armature plate</b>	185L x 38W x 12.5T(mm)
<b>Holding Force</b>	2,700N (270Kg)
<b>Voltage</b>	12/24VDC
<b>Current draw</b>	500mA/12VDC, 250mA/24VDC
<b>Material</b>	Brushed anodized aluminium housing Zinc plated steel armature



#### Typical Installation

#### Installation Positions - Double Doors



#### Applications

Part No.	Description
KML-2	EML 270KG Mortised type Single/Sliding/Double Action Door

# KML-2H

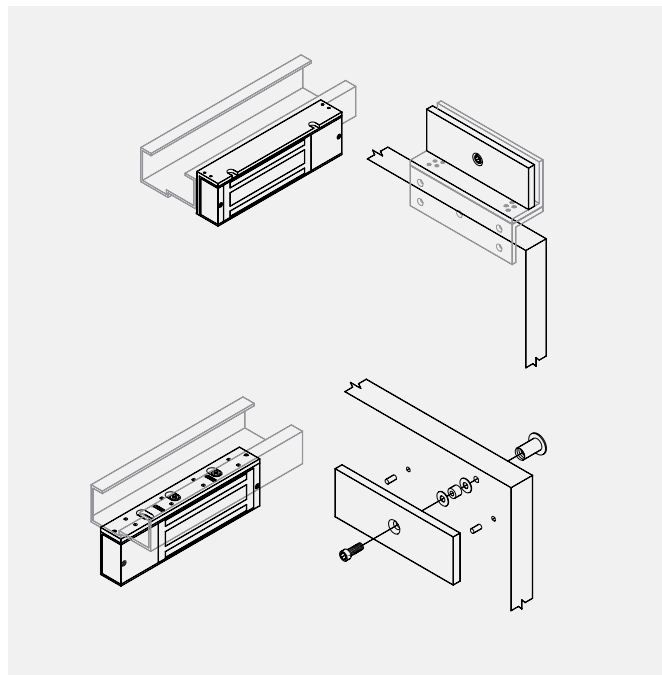
## Electromagnetic Lock

The KML-2H is a surface mounted electromagnetic lock which can be used on single doors.

It has a holding force 270KGS and dual voltage with both lock and door sensor. It also features a built-in voltage spike suppressor and an LED Monitor. It is C-Tick, UL Listed and CE approved, with a 2 hour fire rating.

### Features

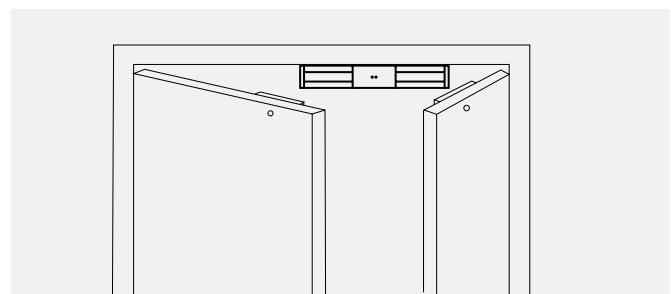
- Surface mounted - Single doors
- Built-in voltage spike suppressor
- LED monitor
- Lock sensor (hall effect IC)
- Door sensor
- Anti residual magnetism device (ARM)



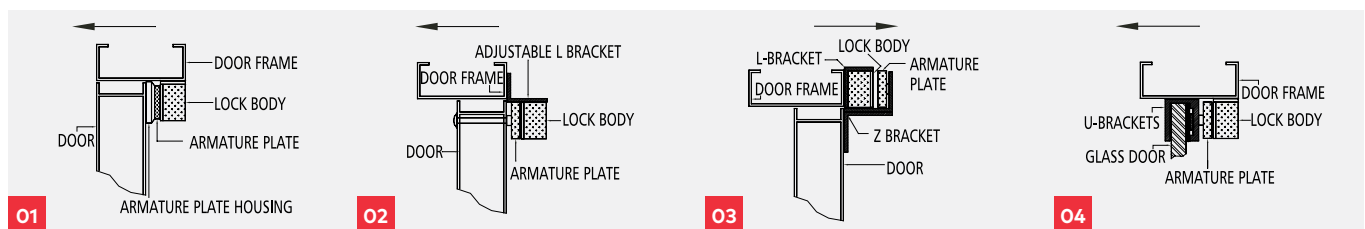
Typical Installation

### Specifications

<b>Lock</b>	250L x 42W x 26D(mm)
<b>Armature plate</b>	185L x 38W x 12.5T(mm)
<b>Holding Force</b>	2,700N (270Kg)
<b>Voltage</b>	12/24VDC
<b>Current draw</b>	500mA/12VDC, 250mA/24VDC
<b>Material</b>	Brushed anodized aluminium housing Zinc plated steel armature



Installation Positions - Double Doors



01 ARMATURE PLATE HOUSING

**01**  
Use B0011  
Armature Plate Housing

02 ADJUSTABLE L BRACKET

**02**  
Use B1011  
L Adjustable Bracket

03 L-BRACKET LOCK BODY ARMATURE PLATE Z BRACKET

**03**  
Use B1012  
L & Z Bracket

04 U-BRACKETS DOOR FRAME LOCK BODY GLASS DOOR ARMATURE PLATE

**04**  
Use U185  
U Bracket for Glass Door

Part No.	Description
KML-2H	EML 270KGS Surface Mounted/Single Door

# KML-6

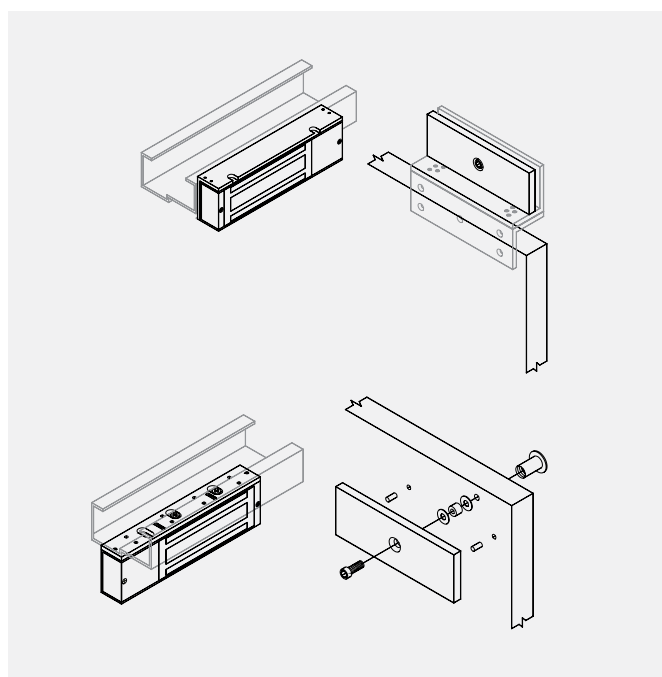
## Electromagnetic Lock

The KML-6 is a surface mounted electromagnetic lock which can be used on single doors.

It has a holding force 540KGS and dual voltage with both lock and door sensor. It also features a built-in voltage spike suppressor and is CTick, UL Listed, CE approved and has a 2 hour fire rating.

### Features

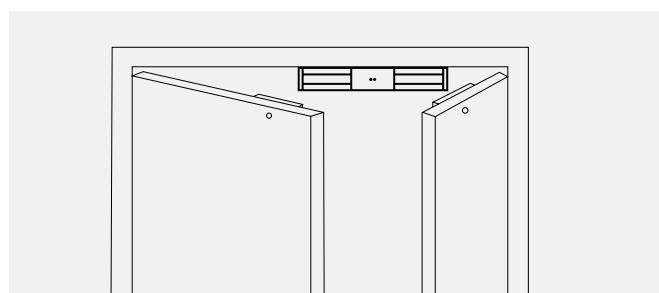
- Surface mounted - Single doors
- LED monitor
- Built-in voltage spike suppressor
- Lock sensor (hall effect IC)
- Door sensor
- Anti residual magnetism device (ARM)



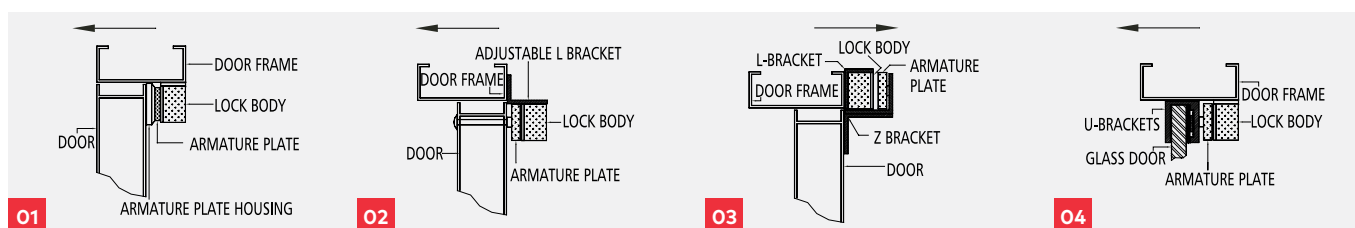
Typical Installation

### Specifications

<b>Lock</b>	*266L x 73W x 40D(mm) *including mounting plate
<b>Armature plate</b>	185L x 61W x 16T(mm)
<b>Holding Force</b>	5,400N (540Kg)
<b>Voltage</b>	12/24VDC
<b>Current draw</b>	500mA/12VDC, 250mA/24VDC
<b>Material</b>	Brushed anodized aluminium housing Zinc plated steel armature



Installation Positions - Double Doors



01 ARMATURE PLATE HOUSING

**01**  
Use B0001  
Armature Plate Housing

02

**02**  
Use B1001  
L Adjustable Bracket

03

**03**  
Use B1002  
L & Z Bracket

04

**04**  
Use U185  
U Bracket for Glass Door

Part No.	Description
KML-6	EML 540KGS Surface Mounted / Single Door

# KML-10

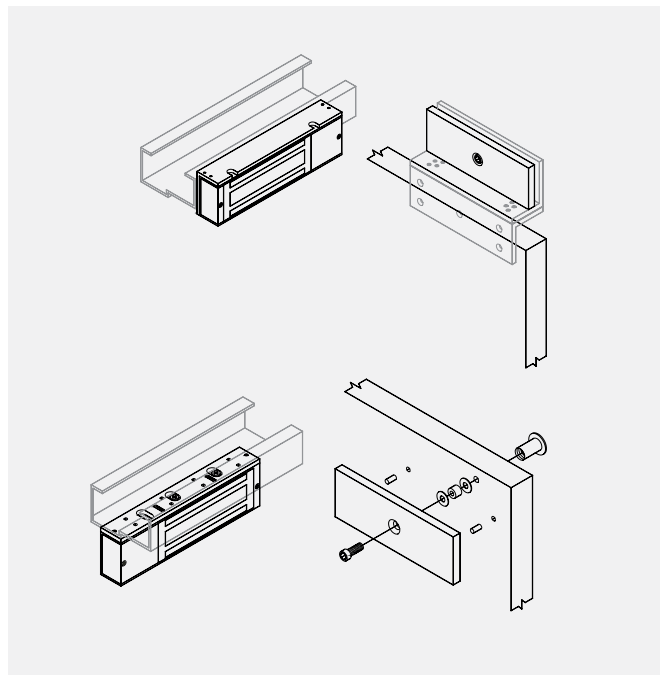
## Electromagnetic Lock

The KML-10 is a surface mounted double electromagnetic lock which can be used for double doors.

It has a holding force 540KGS and dual voltage with both lock and door sensor. It also features a built-in voltage spike suppressor and is C-Tick, UL Listed, CE approved and has a 2 hour fire rating.

### Features

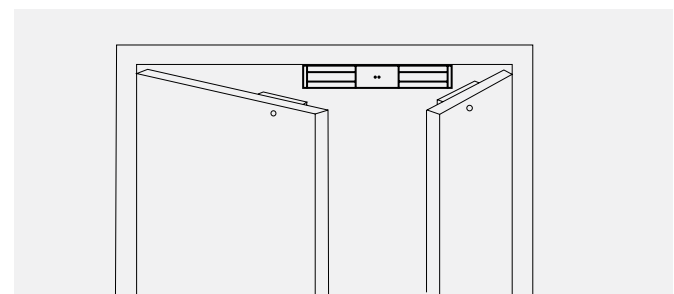
- Surface mounted - Double doors
- LED monitor
- Built-in voltage spike suppressor
- Hall effect monitoring
- Lock sensor (hall effect IC)
- Door sensor
- Anti residual magnetism device (ARM)



### Typical Installation

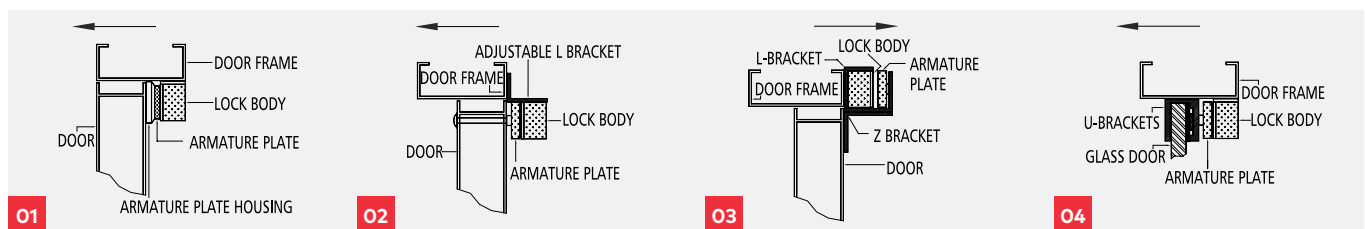
### Specifications

<b>Lock</b>	*532L x 73W x 40D(mm) *including mounting plate
<b>Armature plate</b>	185L x 61W x 16T(mm)
<b>Holding Force</b>	5,400N (540Kg)
<b>Voltage</b>	12/24VDC
<b>Current draw</b>	500mA/12VDC, 250mA/24VDC
<b>Material</b>	Brushed anodized aluminium housing Zinc plated steel armature



### Installation Positions - Double Doors

Note: For double door applications select 2 of each accessory.



**01**  
Use B0001  
Armature Plate Housing

**02**  
Use B1001  
L Adjustable Bracket

**03**  
Use B1002  
L & Z Bracket

**04**  
Use U185  
U Bracket for Glass Door

Part No.	Description
KML-10	EML 540KGS x2 Surface Mounted / Double Door

# KML-CCW30

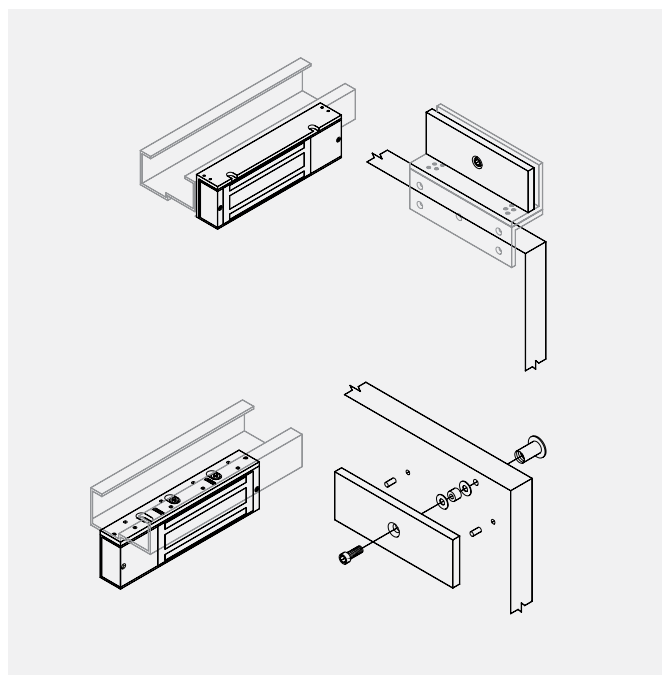
## Electromagnetic Lock

The KML-CCW30 is a surface mounted electromagnetic lock which can be used on single doors.

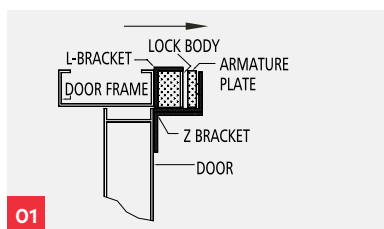
It has a holding force 135KGS and dual voltage with lock sensor. It also features a built-in voltage spike suppressor and is C-Tick, UL Listed and CE approved, with a 2 hour fire rating.

### Features

- Surface mounted - Single doors
- Built-in voltage spike suppressor
- LED monitor
- Lock sensor (hall effect IC)
- Door sensor



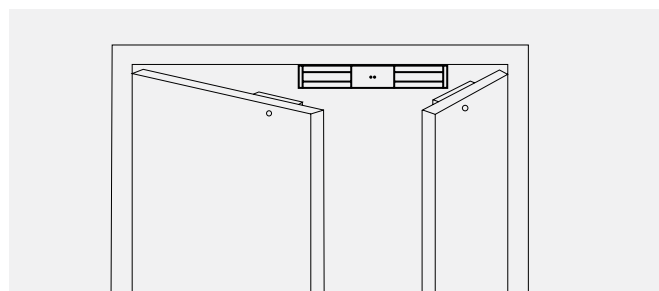
Typical Installation



**01**  
Use B1022  
L & Z Bracket

### Specifications

<b>Lock</b>	*165L x 38.5W x 21D(mm) *including mounting plate
<b>Armature plate</b>	130L x 32W x 8T(mm)
<b>Holding Force</b>	1350N (135Kg)
<b>Voltage</b>	12/24VDC
<b>Current draw</b>	360mA/12VDC, 180mA/24VDC
<b>Material</b>	Brushed anodized aluminium housing Zinc plated steel armature



Installation Positions - Double Doors

Electromagnetic

Part No.	Description
KML-CCW30	EML 135KGS Surface Mounted / Single Door

# KML-CCW30F

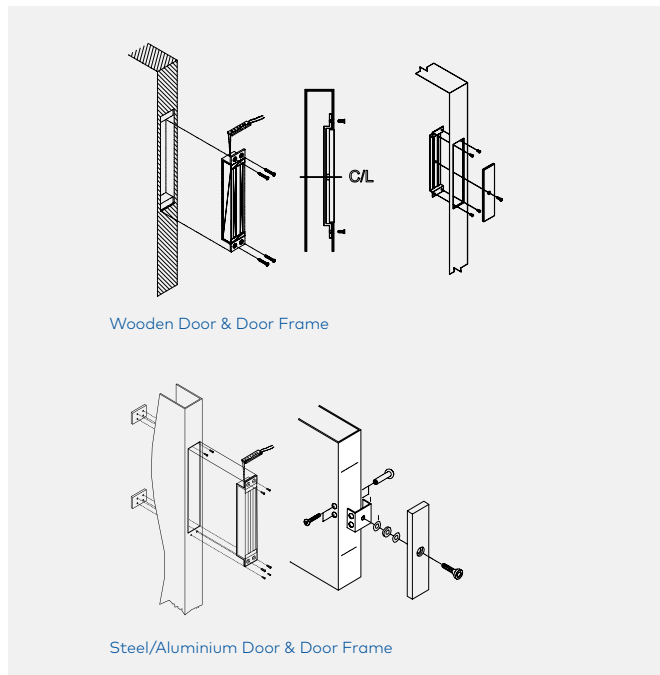
## Morticed Type Electromagnetic Lock

The KML-CCW30F is a morticed type electromagnetic lock which can be used for single and double sliding action doors.

It has a holding force of 135KGS and dual voltage with lock sensor. It also features a built-in voltage spike suppressor and is UL Listed and CE approved.

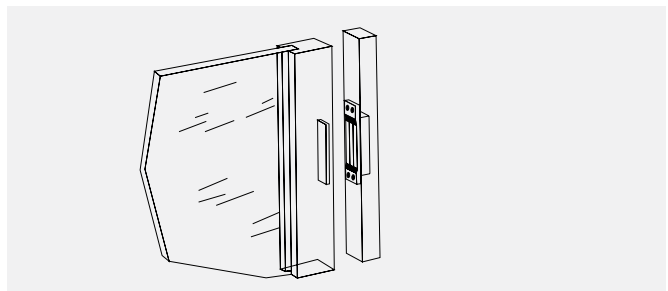
### Features

- Mortised type - Single door, sliding door and double action door
- Built-in voltage spike suppressor
- Lock sensor (hall effect IC)
- Door sensor

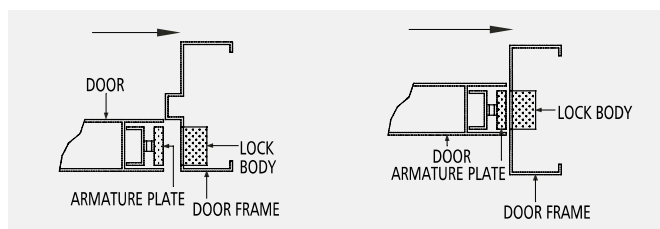


### Specifications

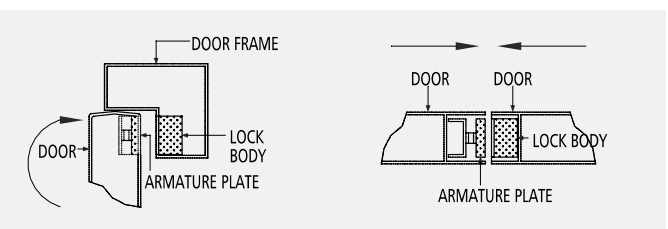
<b>Lock</b>	202L x 34.5W x 21D(mm)
<b>Holding Force</b>	1350N (135Kg)
<b>Voltage</b>	12/24VDC
<b>Current draw</b>	360mA/12VDC, 180mA/24VDC
<b>Material</b>	Brushed anodized aluminium housing Zinc plated steel armature



### Typical Installation



### Installation Positions - Double Doors



### Applications

Part No.	Description
KML-CCW30F	EML 135KGS Mortised Type / Single Door / Sliding Door / Double Action Door



# Electromagnetic Accessories

**B0001**

Armature plate housing for KML-6 & KML-10 (x2)  
200L x 76W x 15D(mm)

**B0011**

Armature Plate housing for KML-2H  
200L x 55W x 15D(mm)

**B1001**

L Adjustable bracket for KML-6 & KML10 (x2)  
266L x 76W x 38D(mm)

**B1002**

L & Z Bracket for KML-6 & KML10 (x2)  
L Bracket - 266L x 76W x 46D(mm)  
Z Bracket - 185L x 63.5W x 63.5D(mm)

**B1011**

L Adjustable Bracket for KML-2H  
250L x 48W x 30D(mm)

**B1012**

L & Z Bracket for KML-2H  
L Bracket - 250L x 48W x 30D(mm)  
Z Bracket 185L x 50W x 50D(mm)

**B1022**

L & Z Bracket for KML-CCW30  
L Bracket - 166L x 42W x 30D(mm)  
Z Bracket - 166L x 38W x 38D(mm)

**U-185**

U Bracket Glass Door for KML-6, KML-10 (x2)  
& KML-2H - Suits 10-12mm thick glass  
185L x 62W x 33D(mm)

Part No.	Description
B0001	Armature plate housing for KML-6 & KML-10 (x2) series
B0011	Armature Plate housing for KML-2H series
B1001	L Adjustable bracket for KML-6 & KML10 (x2) series
B1002	L & Z Bracket for KML-6 & KML10 (x2) series
B1011	L Adjustable Bracket for KML-2H series
B1012	L & Z Bracket for KML-2H series
B1022	L & Z Bracket for KML-CCW30 series
U185	U Bracket Glass Door for KML-6, KML-10 (x2) & KML-2H

# RD10

## Electronic Roller Door Lock

The RD10 is the ultimate security for large doors and shutters.

The electronic roller door lock combines the features found in traditional electronic locks, with the physical strength and function required to secure roller doors of any shape and size.

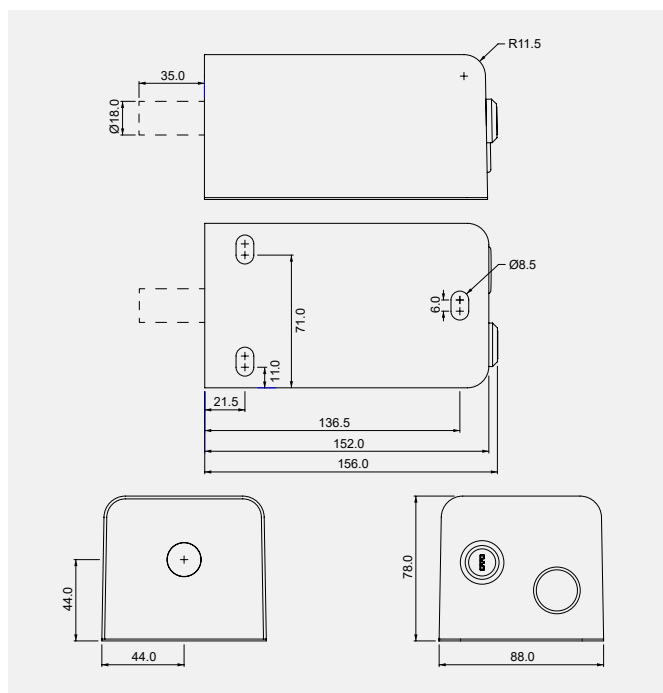
### Features

- Automatic deadbolting, 18mm diameter stainless steel bolt pin
- Keyed access to manual override
- Variable voltage from 12VDC – 24VDC
- Complete control and monitoring of the lock through the integrated electronics
- Selectable timed re-lock after 1 minute
- Multiple attempts to lock and unlock
- User selectable fail safe/fail secure operation
- Anti-tamper and selectable instant auto-relock when desired
- Versatile installation with internal horizontal or vertical installation
- Can be integrated with access control and alarm systems

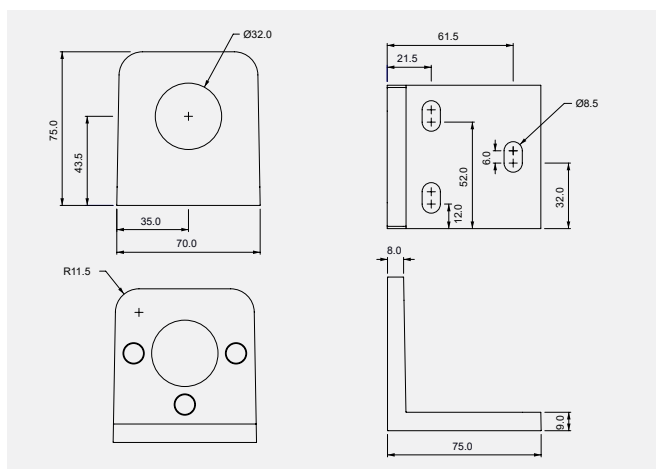


### Specifications

<b>Lock</b>	152L x 88W x 78D(mm)
<b>L Strike</b>	75L x 75W x 70D(mm)
<b>Holding Force</b>	30,000N (3000Kg)
<b>Bolt Pin</b>	Stainless Steel, Ø18mm, 35mm stroke
<b>Feedback</b>	Audible beeper for locked / unlocked and failed alarm
<b>Voltage at Lock</b>	12 - 24VDC +/-10%
<b>Current Usage</b>	
Holding	<50mA@12V, <15mA@24V
Operating	<300mA@12V, <200mA@24V
Stall	<2A@12V, <1A@24V
<b>Monitors Switches</b>	
Bolt Position	60VDC, 0.2A
Door Position	100VDC, 0.5A
<b>Materials</b>	Aluminium: A380 Stainless Steel: 304L
<b>Endurance</b>	Cycle tested to 1000000 operations



Dimensions - Lock



Dimensions - Strike

Part No.	Description
RD10	RD10 Roller door lock 12-24VDC Monitored
RDA703	RDA703 Strike plate for RD10/GL10

# GL10

## Electronic Gate Lock

The GL10 is designed to secure vehicle and pedestrian gates.

Extremely high physical strength is critical but it's the ease of control and connectivity to access control systems that really stands out against its competition. A fully monitored, weather resistant product ensures the perfect outdoor locking solution.

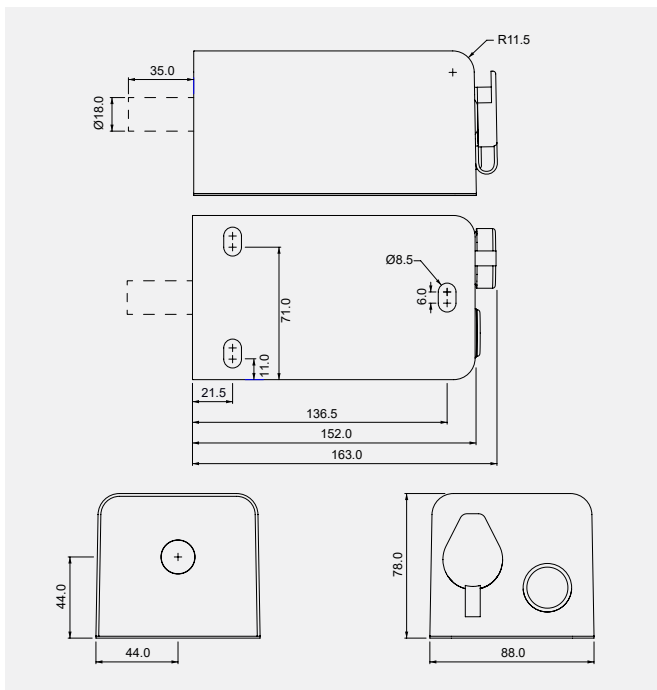
### Features

- Automatic deadbolting, 18mm diameter stainless steel bolt pin
- Keyed access to manual override
- Suitable for outdoor use with an IP65 rating.
- Powdered coated aluminium body and cover.
- Variable voltage from 12VDC – 24VDC
- Complete control and monitoring of the lock through
- Selectable timed re-lock after 1 minute
- Multiple attempts to lock and unlock
- User selectable fail safe/fail secure operation
- Anti-tamper and selectable instant auto-relock when desired
- Versatile installation with internal horizontal or vertical installation
- Can be integrated with access control and alarm systems

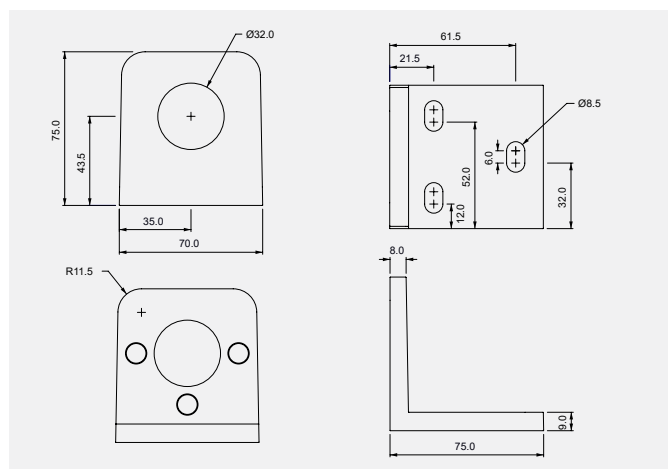


### Specifications

<b>Lock</b>	164L x 88W x 78D(mm)
<b>L Strike</b>	75L x 75W x 70D(mm)
<b>Holding Force</b>	30,000N (3000Kg)
<b>Bolt Pin</b>	Stainless Steel, Ø18mm, 35mm stroke
<b>Feedback</b>	Audible beeper for locked / unlocked and failed alarm
<b>Voltage at Lock</b>	12 - 24VDC +/-10%
<b>Current Usage</b>	Holding <15mA@12V, <15mA@24V Operating <300mA@12V, <200mA@24V Stall <2A@12V, <1A@24V
<b>Monitors Switches</b>	Bolt Position 60VDC, 0.2A Door Position 100VDC, 0.5A
<b>Materials</b>	Aluminium: A380 Stainless Steel: 304I
<b>Endurance</b>	Cycle tested to 1000000 operations



Dimensions - Lock



Dimensions - Strike

Part No.	Description
GL10	GL10 Gate lock 12-24VDC Monitored
RDA703	RDA703 Strike plate for RD10/GL10

# KML-5000G

## Electromagnetic Gate Lock

The KML-5000G is a surface mounted electromagnetic gate lock which can be used on single, double doors and gates.

It has a holding force of 540KGS and dual voltage with lock sensor. It also features a built-in voltage spike suppressor and is C-Tick, UL Listed and CE approved.

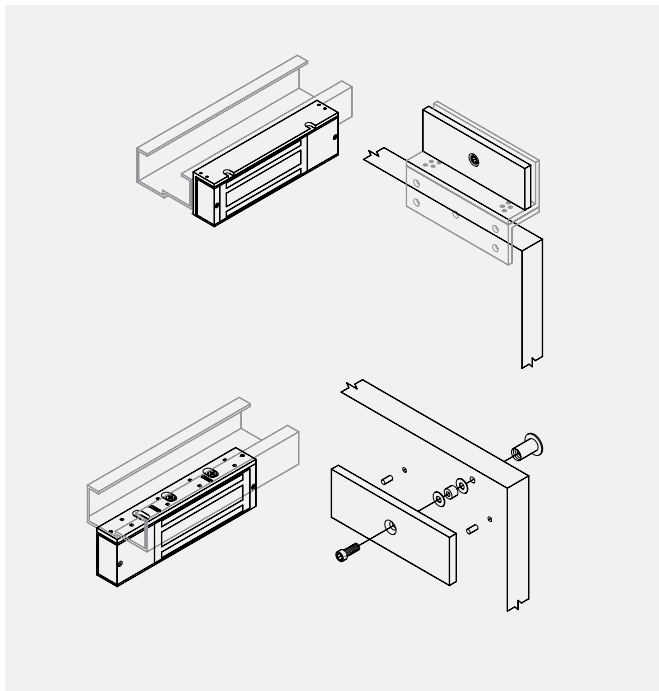
### Features

- Surface mounted - Single door, double swing doors, sliding doors and gates
- Built-in voltage spike suppressor
- Lock sensor (reed switch)
- Multiple fixing (standard) - Face fix and underside
- Weather proof rating - IP65



### Specifications

<b>Lock</b>	203L x 63W x 40D(mm)
<b>Armature plate</b>	185L x 61W x 16T(mm)
<b>Holding Force</b>	5,400N (540Kg)
<b>Voltage</b>	12/24VDC
<b>Current draw</b>	500mA/12VDC, 250mA/24VDC
<b>Material</b>	Stainless Steel Housing Weather proof rated IP65



Typical Installation

Part No.	Description
KML-5000G	EML Gatelock EML 540KGS

## DL200 and DL350

### Cable Transfers - Surface Mounted

The DL200 and DL350 surface mount door loop (cable transfer) are designed to allow a flexible connection to be made from the door frame to door whilst protecting the wiring from pinching or cutting.

Suitable for use in access control systems and alarms.

#### DL200 - Plastic Mount

##### Features

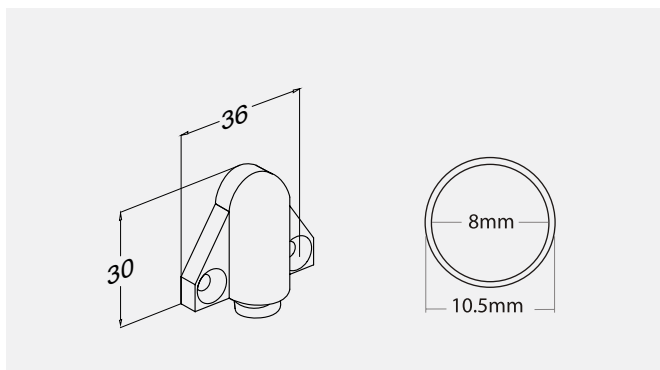
- Length: 40cm
- Triangle plastic sleeve
- Surface mount



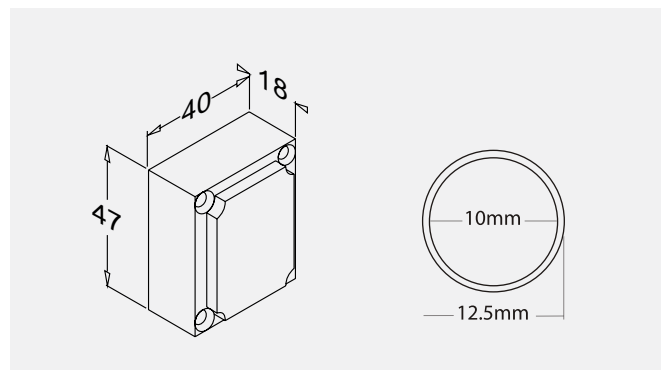
#### DL350 - Aluminium Mount

##### Features

- Length: 40cm
- Square aluminium sleeve
- Surface mount



Dimensions



Dimensions

Part No.	Description
DL200	Cable Transfer 400mm, Triangle Plastic Mount
DL350	Cable Transfer 400mm, Square Aluminium Mount

## DL400

### Cable Transfers - Mortice Mounted

The DL400 mortice mounted door loop (cable transfer) is a convenient solution to transfer wiring from a hinged door frame to a door.

The DL400 provides an attractive solution to completely conceal the wiring when the door is closed, whilst protecting from pinching or cutting.

Suitable for use in access control systems and alarms.

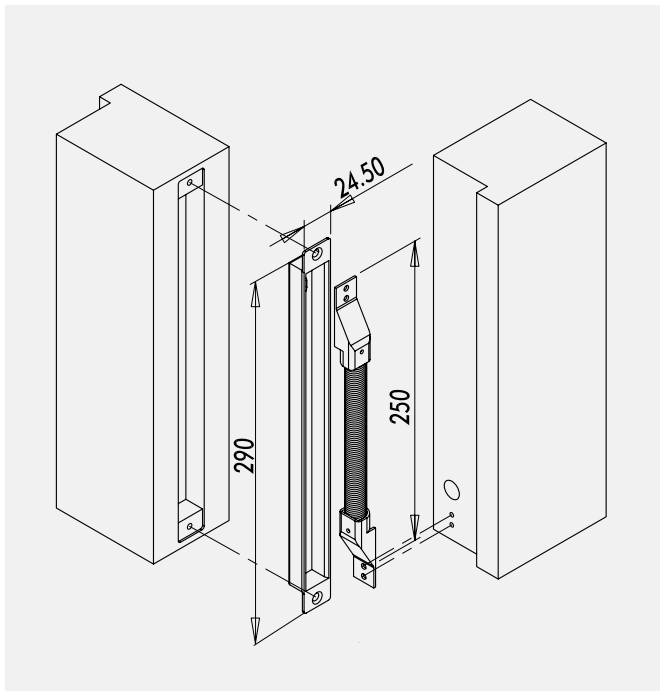
#### Features

- Designed to ensure the unbroken transfer of cable between door and frame.
- Concealed when the door is shut.
- Fits timber or aluminium doors.

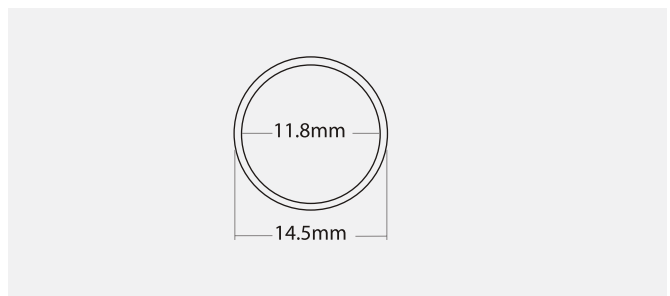


#### Specifications

<b>Dimensions</b>	290L x 24.563W (mm)
<b>Cable Diameter</b>	11.8mm maximum
<b>Door Opening</b>	90 to 120 degree
<b>Current draw</b>	500mA/12VDC, 250mA/24VDC
<b>Material</b>	Chrome Plate Finish



#### Dimensions



Part No.	Description
DL400	Cable Transfer 290mm, Mortice Mount





**Door  
Hardware**



**Entrance  
Systems**



**Electronic  
Access & Data**



**Interior Glass  
Systems**



**Lodging  
Systems**



**Mechanical  
Key Systems**



**Safe Locks**



**Services**

**dormakaba Australia**

Head Office  
12-13 Dansu Court  
Hallam VIC 3803  
T: 1800 675 411  
info.au@dormakaba.com  
www.dormakaba.com.au

**dormakaba New Zealand**

Head Office  
Building P, 61-69 Patiki Road  
Avondale, Auckland 1026  
T: 0800 436 762  
info.nz@dormakaba.com  
www.dormakaba.co.nz

**MADINOZ**

Unit 3, 1 - 7 Ada Avenue  
Brookvale NSW 2100  
T: (02) 9939 2007  
sales@madinoz.com.au  
www.madinoz.com.au