



The world's favourite lock

Yale[®]

Securichain concealed security chain



For use with standard hinged, inward opening doors with a minimum thickness of 34mm. The design and function of the product is ideal for use in residential or hotel applications to view before greeting a visitor.

Features

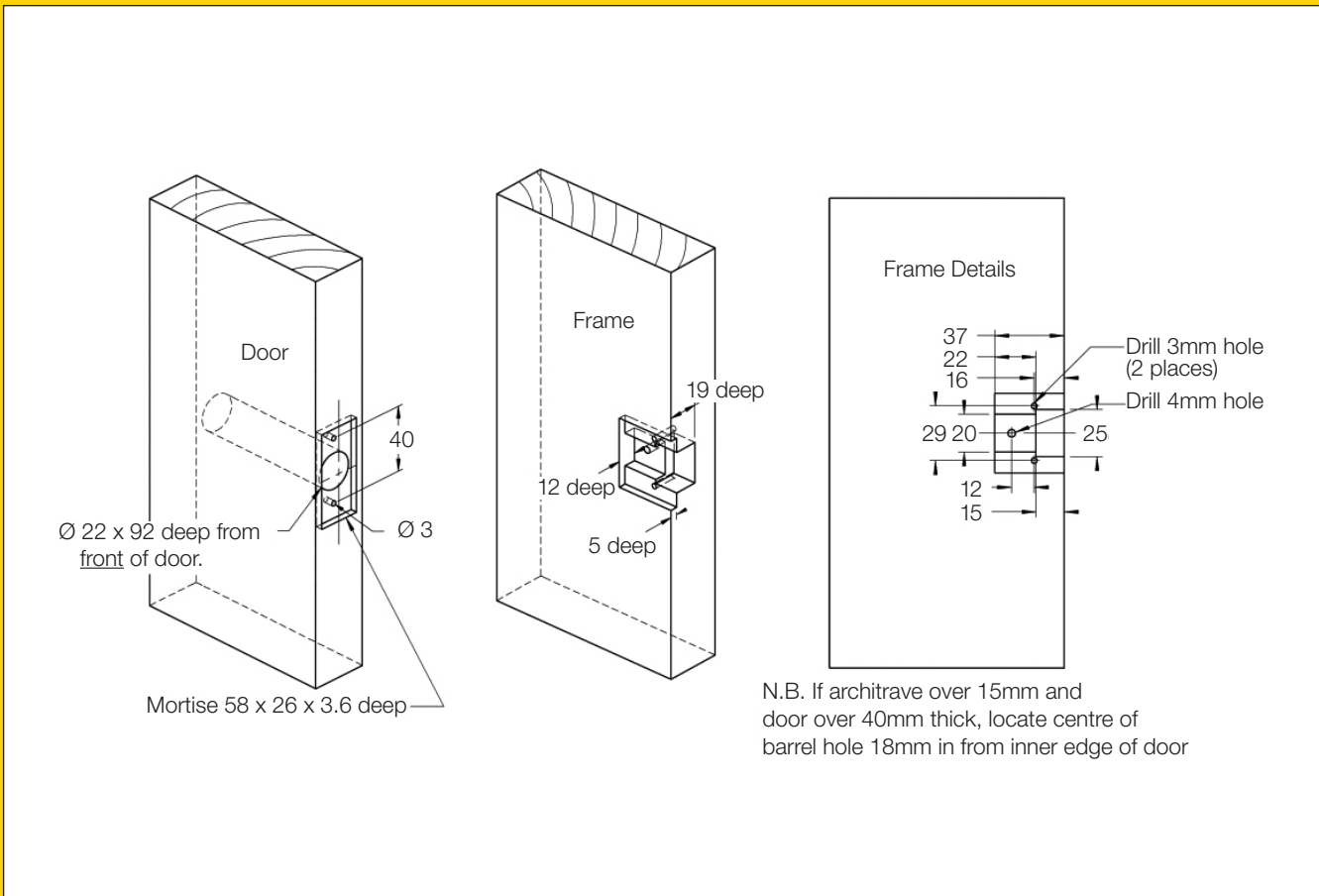
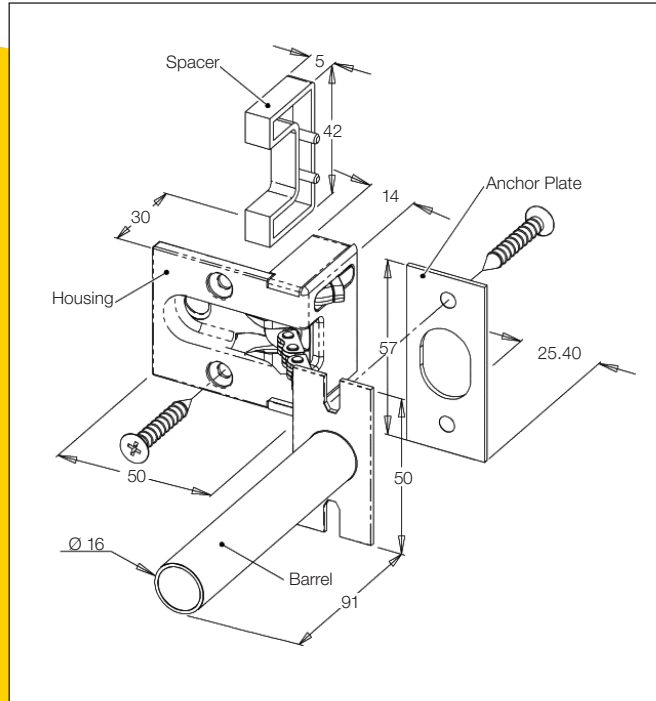
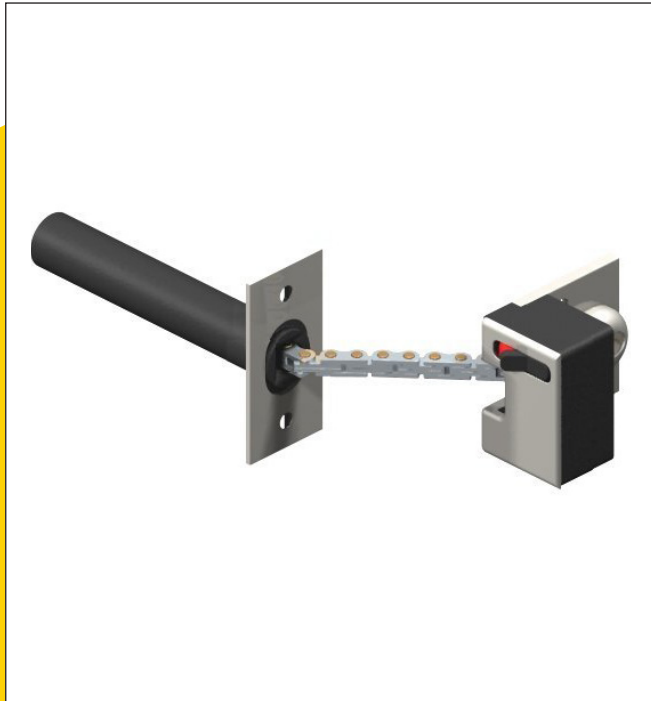
- Concealed fixing screws into the door frame
- Any impact forces are imposed in a sheer action of the fixing screws allowing a greater resistance
- Visual unlock indicator
- Activated by a simple on/off switch
- New Zealand made

Options

- Plated finishes include: polished brass, satin chrome and florentine bronze

Securichain concealed security chain

The world's favourite lock



RES-FLY-056 - YALE - 0714NZ

ASSA ABLOY New Zealand Ltd.
6 Armstrong Road, Albany, Auckland 0632
info.nz@assaabloy.com
www.yalelock.co.nz

ASSA ABLOY Australia Pty Ltd.
235 Huntingdale Road, Oakleigh, Victoria 3166
info.au@assaabloy.com
www.assaabloy.com.au



Securichain concealed security chain



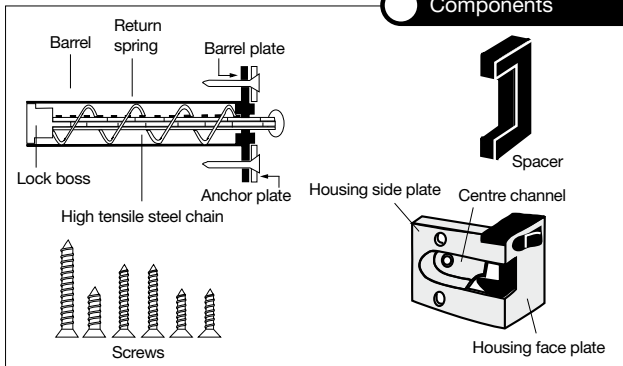
Prior to chiselling out door frame and architrave for housing and side plate, we suggest drilling (as close to the line as possible) a series of 3mm diameter holes (3mm apart) on inside of the housing outline that you have marked out on door frame. This will allow for an easier job.

Securichain MC41: For use with timber doors.

Operation: With door closed, use switch to turn on or off for automatic operation.

Application: Provides added security for safer inspection of callers, while being concealed for attractive appearance.

Components



Fixing Instructions

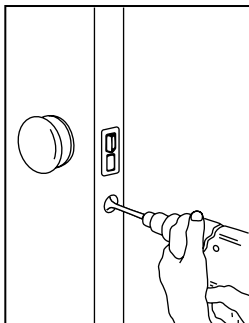
1

Fitting Barrel

- Locate centre of door edge and drill a 22mm diameter hole to a depth of 91mm

Note: If architrave is over 15mm and door over 40mm thick, locate centre of barrel hole 18mm in from inner edge of door

- Insert barrel and mark outline of anchor plate, chisel out and fit anchor plate flush with door edge
- Drill 3mm diameter holes, insert with brass ball in central position, screw barrel in place with 6g screws
- Ensure chain bends towards outer edge of door



Installation Notes:

- To allow ball to engage correctly, the gap between door and door frame should be no greater than 3mm when door is closed. If gap is greater than this, make allowance when chiselling out or pack out housing/anchor plate after fitting

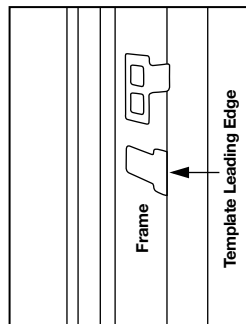
- The barrel can be moved vertically a total of 6mm. This provides adjustment to compensate for inaccurate fitting or door/frame movement over a period of time. To adjust, loosen screws and move ball up or down as required

Important: Ensure that the Securichain is installed with the housing side plate parallel to the anchor plate when door is closed.

2

Marking with housing template

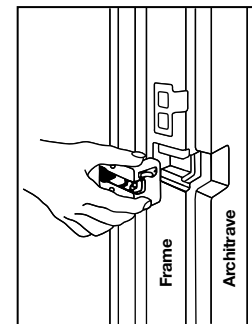
- With brass ball in central position mark centre position for housing by closing door gently until brass ball marks centre position on door frame
- Place leading edge of template on door frame edge, line up template centreline with mark made by ball



3b

Door frame with architrave up to 14mm thick

- Mark out centre channel and chisel out to depth shown on template
- With housing in centre channel, mark outline of housing side plate, chisel out and fit housing side plate flush with door frame
- With housing in position, mark outline of housing face plate on architrave. Chisel out until door frame is reached
- Screw housing in place (use 9gx50mm centre channel screw unless restricted by frame depth in which case use smaller 25mm screw supplied.) **Use line A on template**

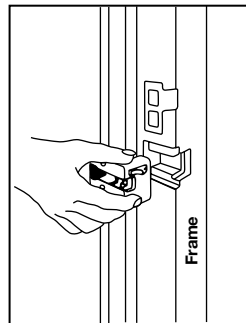


Fixing Housing

3a

Door frame without an architrave

- Mark out centre channel and chisel out to depth shown on template
- With housing in centre channel, mark outline of housing side plate, chisel out and fit housing side plate flush with door frame
- Screw housing in place (use 9gx50mm centre channel screw unless restricted by frame depth in which case use smaller 25mm screw supplied.) **Use line A on template**



3c

Door frame, architrave 15mm thick or greater

- Mark out centre channel and chisel out to depth shown on template
- Place housing in position, mark outline of housing side plate flush with door frame
- With housing in position, mark outline of housing face plate on architrave. Chisel out until door frame is reached
- Fit spacer on housing. Fit housing in place
- Screw housing in place (use 9gx50mm centre channel screw unless restricted by frame depth in which case use smaller 25mm screw supplied.) **Use line B on template**

