

HUSKY LOW HEADROOM 100

For timber top hung sliding doors. Max 100kg.

APPLICATION

- Designed to create a modern minimalist finish with all parts concealed
- Can reduce the clearance between the track and the top of the door to 2mm
- Vertically adjustable sliding door kit for low or restricted headroom applications
- Designed to accommodate single or multiple panels on one or more tracks
- Used to maximise door height
- Engineered for easy installation and adjustment

DOOR SPECIFICATION

Track System **Low Headroom 100**

For Individual Door Leaves:

Max Door Weight	100kg
Door Thickness	34-50mm*
Max Door Height	2700mm

* For doors thicker than 50mm, please contact our technical sales team for further information.

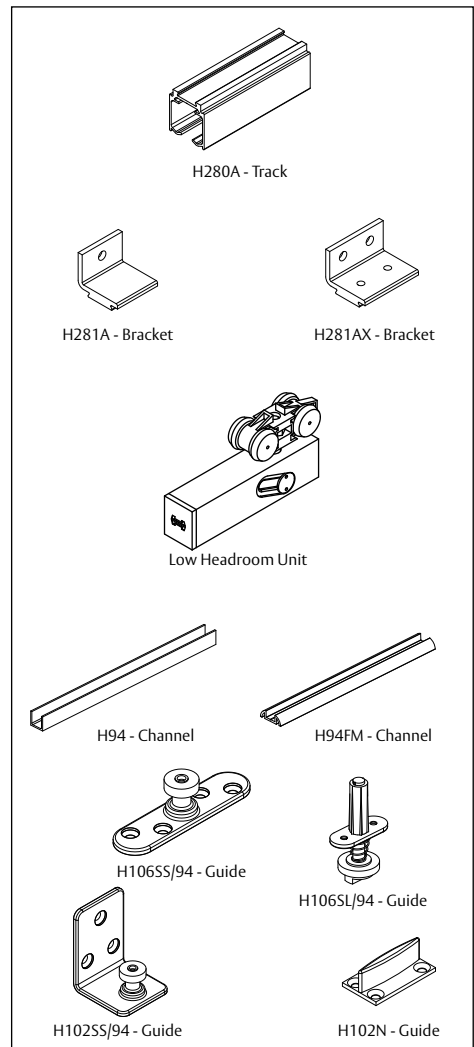
STANDARD SETS AND PACK

Sets comprise of 2x Low Headroom units, 2x end caps, 2x clip stops, 1x saw cut guide, all screws and fitting instructions.

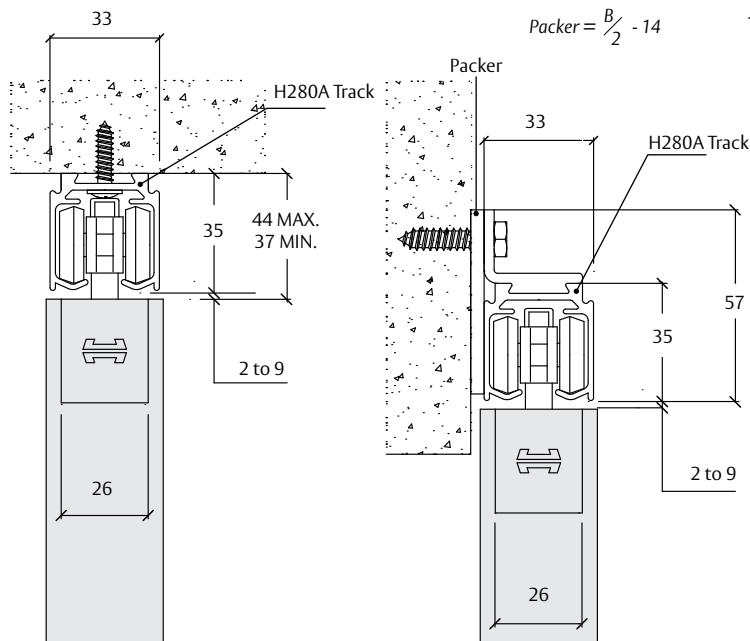
Pack No.	Application
HLH100	1 door pack

HARDWARE SPECIFICATION

Track	H280A	Aluminium (2000, 3000, 4000 & 6000mm lengths)
	H280AN	Anodised Aluminium (2000, 3000, 4000 & 6000mm lengths)
		<i>Soffit fix spacing 275mm centres (maximum)</i>
Brackets	H281A	Face fixed aluminium
	H281AX	End and jointing bracket aluminium
	H2815A	Bracket pack, 5 piece pack includes 2x H281AX <i>Spacing 275mm centres, use H281AX at either end of track</i>
Guides	H102N	Nylon saw cut guide
	H102SS/94	Timber doors - for multiple runs of doors
	H106SL/94	Spring loaded guide
	H106SS/94	Timber doors - concealed fixing with SS bearing
Channels	H94X	Aluminium (2000, 3000, 4000 & 6000mm lengths)
	H94FM	Aluminium (2000, 3000, 4000 & 6000mm lengths)
	H94P	Polypropylene (2000, 3000, 4000 & 6000mm lengths)
	H94PSC	Aluminium supporting channel and polypropylene (2000, 3000, 4000 & 6000mm lengths)
Accessories	Interlocking Seal	
	H59BZ/4800	Bronze anodised (4800mm to suit typical 2400mm door height)
	H59CA/4800	Clear anodised aluminium (4800mm to suit typical 2400mm door height) <i>Drilled and countersunk. Includes brush seal.</i>

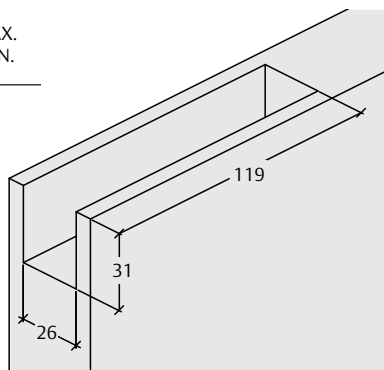


HENDERSON



NOT TO SCALE

50 MAX.
34 MIN.



Cutout for Low Headroom Unit

