

MULTI BOLT SPEC SHEET



IMPORTANT NOTES

To comply with the regulations & provide adequate security, the lock must:

- Be installed on an appropriate window
- Be checked frequently to ensure the screw is tightly secured
- Be installed at the correct distance to restrict the window opening (per the excerpt of regulations)
- Have the key removed at all times and placed out of reach of children.

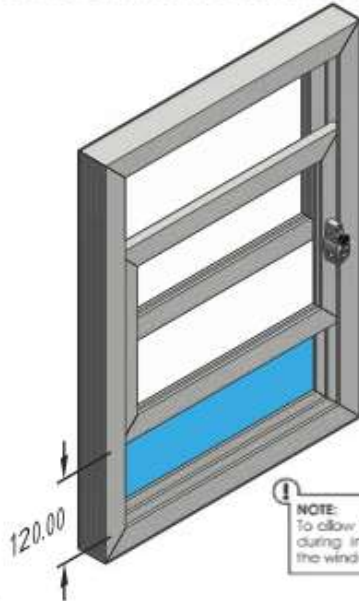


BCA REGULATIONS EXCERPT

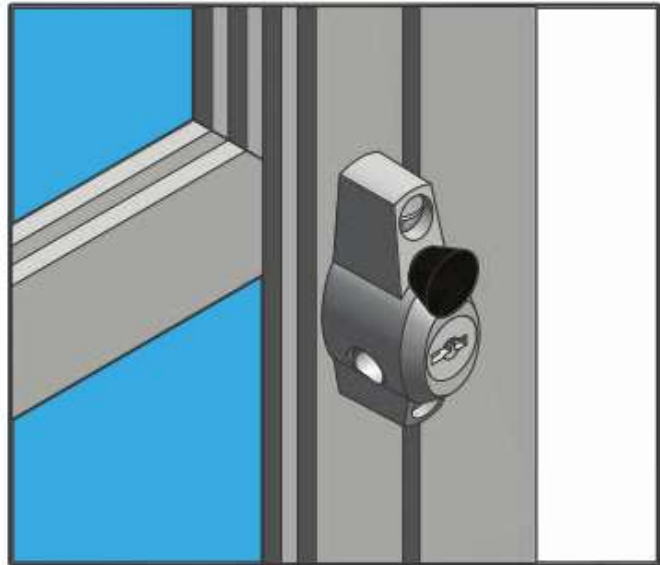
D2.24 Protection Of Openable Windows

The openable portion of the window must be protected with a device to restrict the window opening.

The device or screen must not permit a 125 mm sphere to pass through the window opening and resist an outward horizontal action of 250 N against the window restrained by the device.



NOTE:
To allow for misalignment during installation, open the window to 120mm



SUITABLE FOR

- In-swing Windows
- Awning Windows
- Sliding Windows
- Casement Windows
- Double Hung Windows



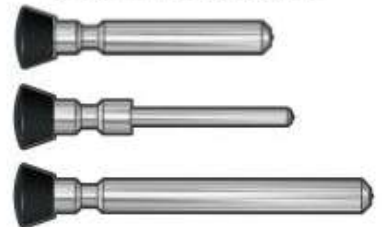
MULTIPLE BARRELS

The Carbine Multi Bolt utilizes 2 different types of barrels. Our patented C4 water barrel allowing the use of C4 Keys & LF water barrel allowing the use of LF43R & LF6R keys.



MULTIPLE BOLTS SUPPLIED

3 x Ø8mm bolts are supplied.



HIGH QUALITY INTERNAL MECH

High quality stainless steel ball bearing locking mechanism.



MULTIPLE BOLT LOCATIONS

Front mounted, and side mounted, bolt locations. A hole plug is supplied for the un-used hole.



MULTIPLE SCREWS SUPPLIED

One way and cross headed self tapping screws supplied.



FERRULE

Zinc plated ferrule and countersunk screws included.



