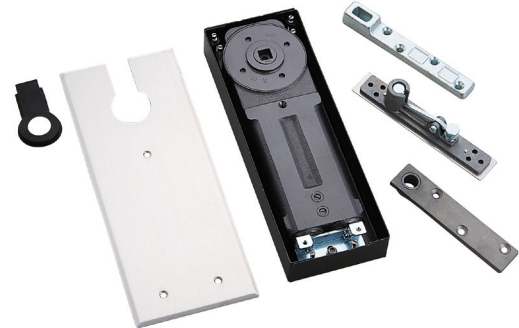


Briton

5000 Series Floor Spring

Door controls



The Briton 5000 Series Floor Springs fit many applications, such as main entry doors to shopping centres, malls, airports, office buildings, hotels and hospitals. The Briton 5000 Series Floor Springs provide reliable, durable solutions for commercial applications.

Features

- Dual Action non-handed floor spring
- Closer cylinder construction of high-strength cast iron for maximum durability
- Tested to 500,000 cycles
- Independent closing and latching speed adjustments
- All adjustment screws concealed behind cover plate to prevent tampering
- Door Adjustment - Floor Spring Body can be adjusted within cement box for width, length and height alignment
- Stainless steel cover
- The 10 year warranty provides specifiers and users with assured quality and performance

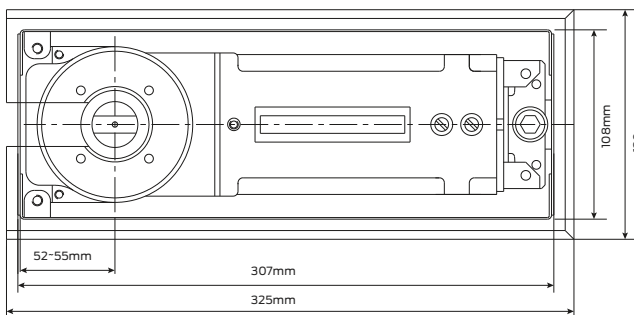
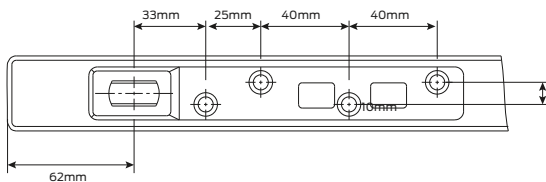
Specification guide

| | | |
|---------------------------------|--------------------|-------------------------------|
| Model | Hold open function | Finish |
| Briton 5003 Series.....BNT-5003 | 90°.....90 | Satin stainless steel.....SSS |
| Briton 5004 Series.....BNT-5004 | 105°.....105 | |
| | None.....- | |

- Model
Select the desired model BNT-5003
- Hold open function
Select hold open degree as required e.g. 90° BNT-5003/90
- Finish
Select the desired finish e.g. Satin stainless steel BNT-5003/90/SSS

Specifications

| | |
|----------------------------|---|
| Door type | Timber, metal or glass |
| Door size | Refer selection chart |
| Door weight | Refer selection chart |
| Door thickness | Metal - minimum 37mm Timber - minimum 44mm Glass - 10 to 12mm (with patch fittings) |
| Applications | Non hold open Hold open 90° or 105° |
| Adjustment controls | Closing speed 130°-15° Latching speed 15°-0° |
| Strength | Fixed. 5003 - size 3, 5004 - size 4 |
| Finish | Stainless steel cover |
| Warranty | 10 year mechanical |



Selection chart

| Strength | Maximum door width | Maximum door weight |
|----------|--------------------|---------------------|
| 3 - 5003 | 1000mm | 100kg |
| 4 - 5004 | 1100mm | 100kg |

Door opening guide

- Optional 90° hold open
- Optional 105° hold open
- Maximum opening range 130°

