

A close-up photograph of a DORMA TS 83 door closer. The device is a long, rectangular metal component with a brushed metal finish. It is mounted on a door frame, with two vertical metal rods visible. The DORMA logo is embossed on the top surface. A semi-transparent white box is overlaid on the left side of the image, containing the text "TS 83" and a horizontal line. A black vertical bar is on the far left edge of the image.

TS 83

Door Closer

EASY TO INSTALL AND WITH ADJUSTABLE CLOSING FORCE, BACKCHECK AND DELAYED ACTION

Easy to fix and even easier to adjust. The door closer for almost every door size and application.

with additional anti-corrosion protection for exposed applications or aggressive conditions.

Decades of experience have gone into the development of the DORMA TS 83. The result is user comfort coupled with outstanding versatility. It can be adjusted to suit almost all types of door. It can even be supplied

Fixing couldn't be easier – and last but not least – it's engineered for excellence.

Certified to ISO 9001

Plus points

For the trade

- Low inventory costs and reduced stocking requirement thanks to streamlined product range.
- Practical and effective solutions to meet special applications thanks to comprehensive choice of accessories.

For the user

- Optimum wall and door protection thanks to "thinking" backcheck.
- Closing speed virtually unaffected by temperature fluctuations.
- Proportionately low opening resistance thanks to high mechanical efficiency.

For the installer

- Easy to fix.
- Can be "tailored" to the requirements of the door by simple adjustment.
- Just one model for RH (DIN-R, ISO 5) and LH (DIN-L, ISO 6) doors, and for standard and frame/lintel fixing.
- Spring strength range EN 3–6 to suit virtually every application.

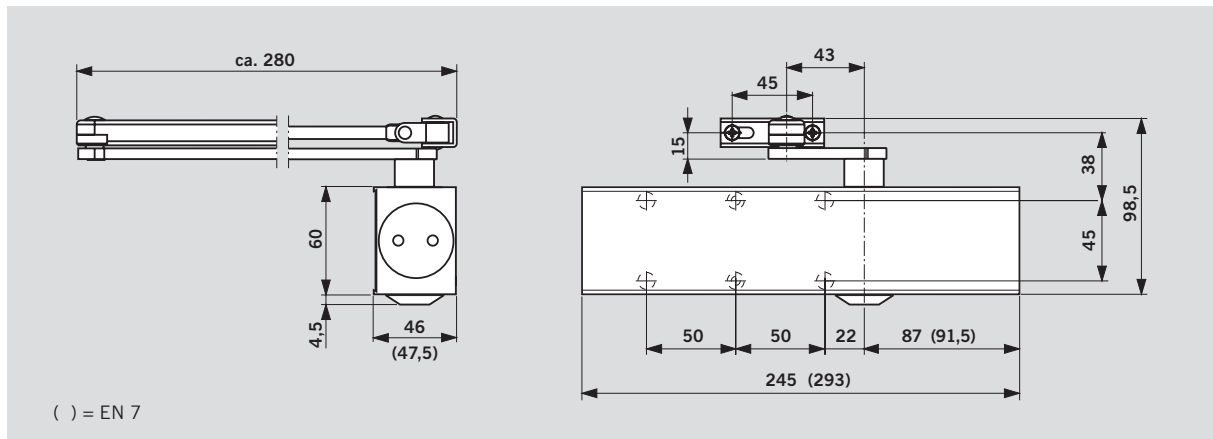
For the specifier/architect

- Compact closer design and sturdy flat-form arm assembly.
- Wide range of standard functions supplemented by optional extras.
- Suitable for fire doors.

Data and features		TS 83	
Variable	Spring strength	EN 3-6	EN 7
Standard doors ¹⁾	≤ 1400mm	●	–
	≤ 1600mm	–	●
External doors outward opening ¹⁾	≤ 1400mm	●	–
	≤ 1600mm	–	●
Fire and smoke check doors ¹⁾	≤ 1400mm	●	–
	≤ 1600mm	–	●
Non-handed		●	●
Arm assembly type	Standard	○	○
	Flat-form	●	●
	Slide channel	–	–
Closing force variable by means of adjustment screw		●	–
Closing speed adjustable at 3 separate valves	180° - 70°	●	–
	70° - 15°	●	–
	15° - 0°	●	–
Closing speed variable by means of valve adjustment		–	●
Adjustable latching action by arm		●	●
Backcheck	self-regulating adjustable at valve	●	●
		●	●
Delayed action variable at valve		●	–
Hold-open		○	○
Weight in kg	Length	1.7	3.3
	Overall depth	46	47.5
	Height	60	60
Door closer tested to EN 1154		●	●
CE mark for construction products		●	●
Approved to AS1905 Part1 Fire Resistant Doors		●	●

● Yes – no ○ Option

¹⁾ For applications involving particularly heavy or wide doors, and doors which have to close against wind resistance, the next highest closer size or a higher spring strength should be applied.

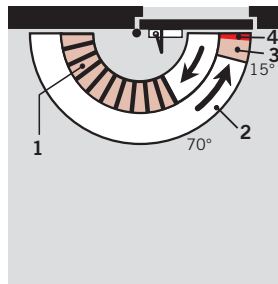


STANDARD AND OPTIONAL FUNCTIONS

With “thinking” backcheck – Model BC/ÖD

Thanks to an innovative design concept, the resistance developed by this backcheck system as the door is opened beyond approx. 70° is directly proportional to door acceleration. It is almost imperceptible when the door is opened slowly. However, if the door is opened hastily, the backcheck responds in equal measure.

And if the door should be flung open at speed – whether deliberately, thoughtlessly, accidentally or as a result of a gust of wind – the backcheck reacts at full strength, protecting the wall and door from damage.

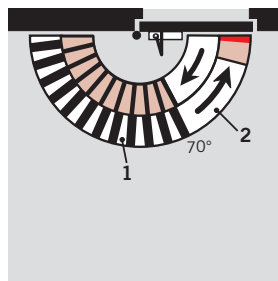
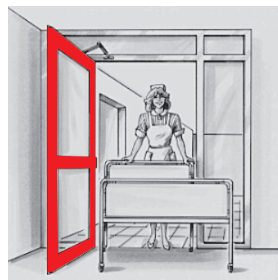


- 1 Self-regulating backcheck
- 2 Infinitely variable closing speed in the range 180° – 70°
70° – 15°
- 3 Infinitely variable closing speed in the range 15° – 0°
- 4 Adjustable latch range (by arm)

With additional delayed action – Model BC/ÖD + DC/SV

This model with its additional, integrated delayed action enables the closing cycle to be retarded within an adjustable range from 180° – 70° so that disabled persons, mothers with prams and people carrying bulky items are able to pass through the door without difficulty.

This model can also be used for fire doors.

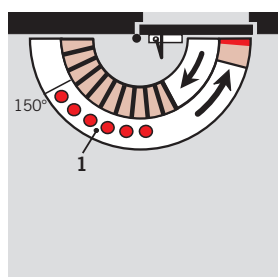
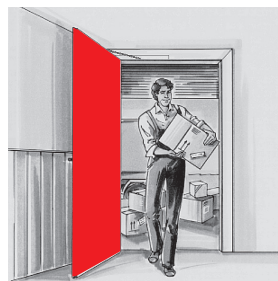


- 1 Adjustable delayed action
- 2 Fully controlled closing with adjustable speed

With hold-open – Model with hold-open arm

Combining the TS 83 with a hold-open arm enables the door to be held open at an appropriate angle (up to approx. 150°).

The hold-open function in the standard hold-open arm can be switched on and off by the user by simply pressing a switch.

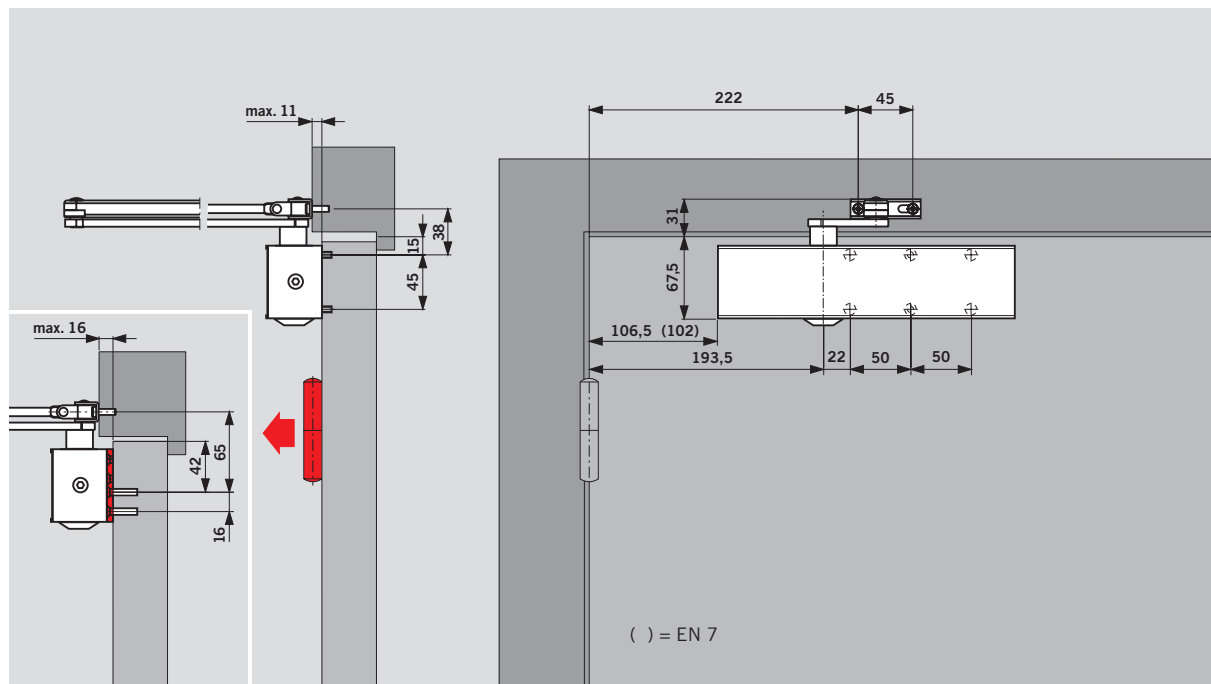


- 1 Hold-open range

Hold-open arms are not approved for fire and smoke check doors.

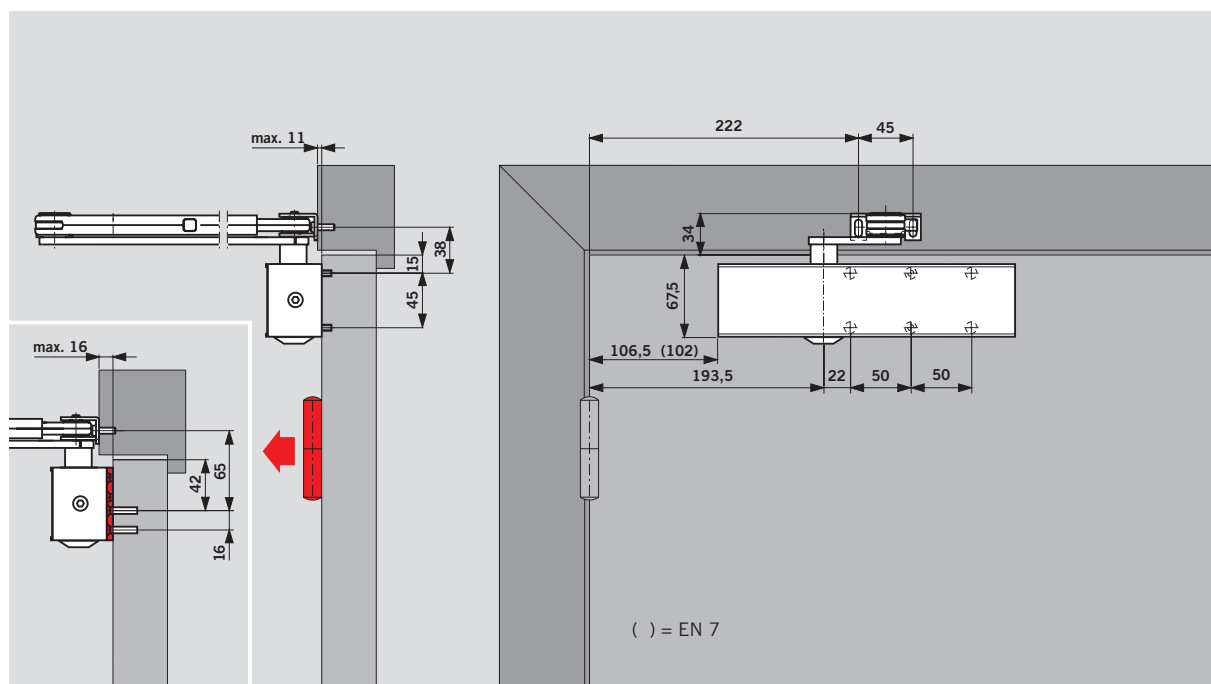
DOOR LEAF FIXING, PULL SIDE

(example shows LH (ISO 6) door; RH (ISO 5) doors mirrored arrangement)



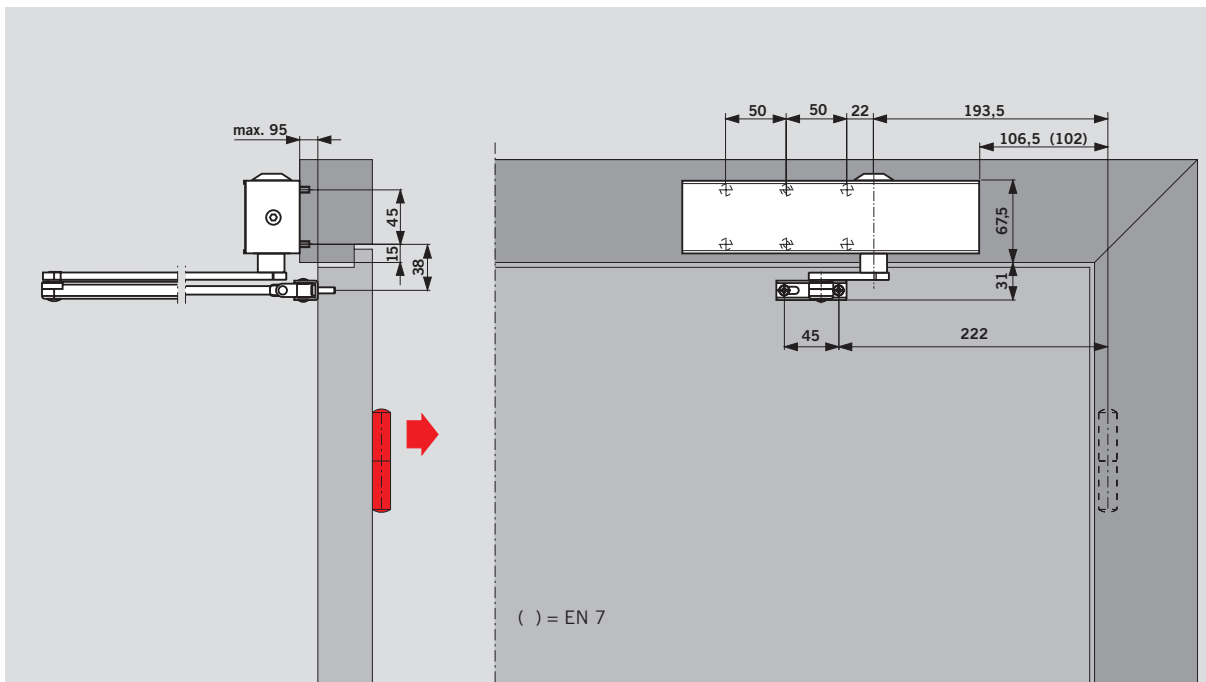
DOOR LEAF FIXING WITH HOLD-OPEN ARM

(example shows LH (ISO 6) door; RH (ISO 5) doors mirrored arrangement)



TRANSOM FIXING, PUSH SIDE

(example shows LH (ISO 6) door; RH (ISO 5) doors mirrored arrangement)



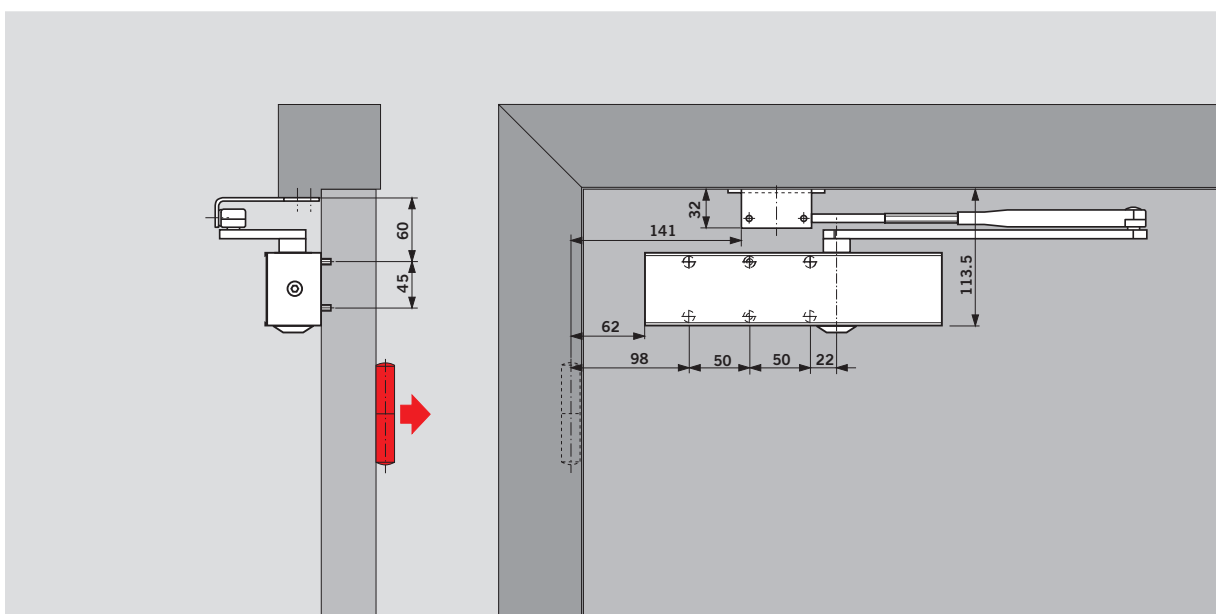
In the case of fire doors, door closers may only be transom-fixed where appropriate approval has been obtained in the form of a certificate or test report issued by an accredited testing agency.

Transom fixing:

With transom-fixed closers, the backcheck only responds at between 85° and 90°, depending on the depth of reveal and type of door hinge involved; the delayed action, on the other hand, releases the door at an earlier point in its closing sweep.

DOOR LEAF FIXING, PUSH SIDE, PARALLEL ARM INSTALLATION

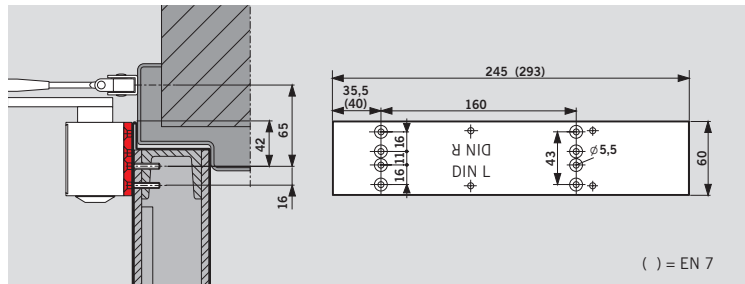
(example shows RH (ISO 5) door; LH (ISO 6) doors mirrored arrangement)



ACCESSORIES

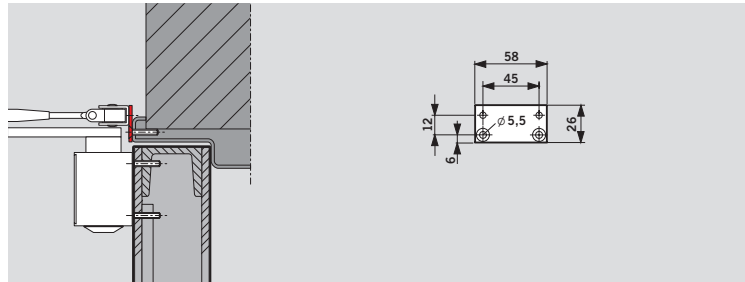
Mounting backplate TS 73 V / TS 83

For use with fire and smoke check doors and also as an intermediate plate when direct fixing to the door is not possible; with fixing hole pattern to EN 1154, supplement 1.



Arm bracket adapter plate TS 73 V / TS 83

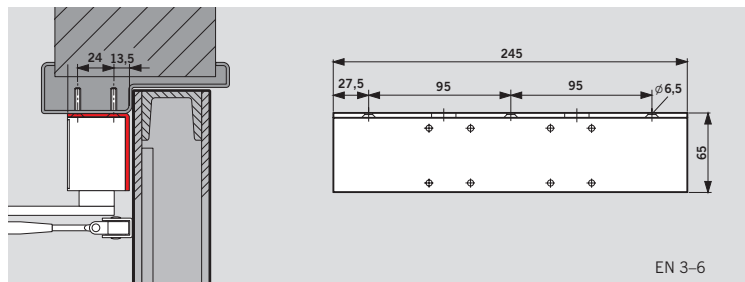
For fixing the arm bracket to particularly narrow door frames.



Angle bracket TS 73 V / TS 83

For frame/lintel fixing of the closer on the push side of doors with deep reveals.

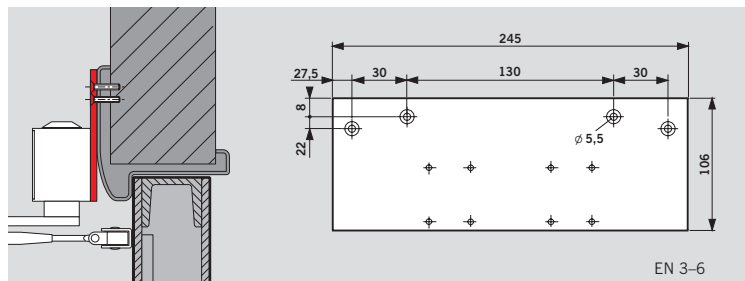
On fire and smoke check doors, proof of suitability required in relation to the individual door concerned.



Drop plate TS 73 V / TS 83

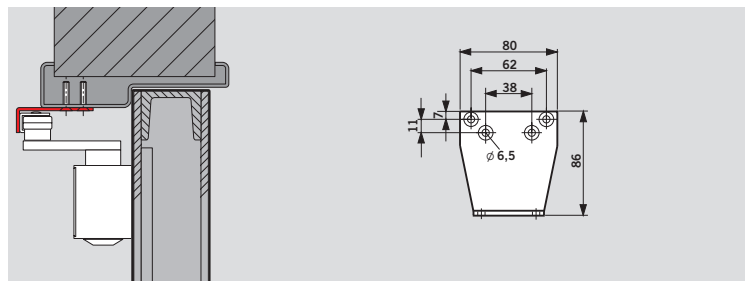
For installation on frame when direct fixing of closer is not possible.

On fire and smoke check doors, proof of suitability required in relation to the individual door concerned.



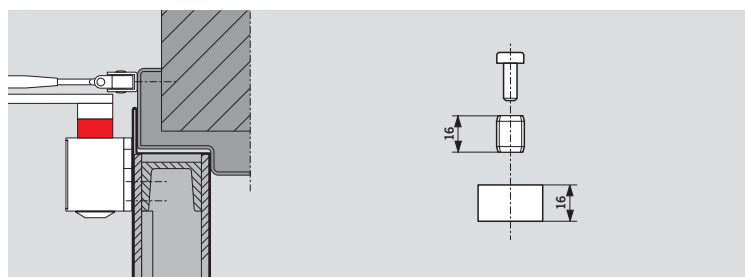
Parallel arm bracket TS 73 V / TS 83

For parallel arm installation on the push side (see fixing instructions for dimensions).



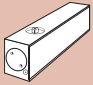
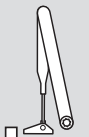
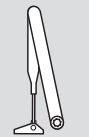

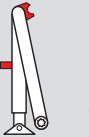
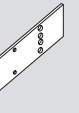
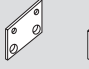
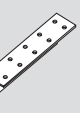
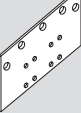

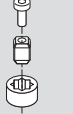
Spindle extension TS 73 V / TS 83

For increasing the distance between the closer and the arm assembly in the case of doors with a high overlap; 16 mm high.



SUPPLY AND ACCESSORIES INFORMATION

Supply and accessory information

Closer body TS 83	Standard arm	Standard arm anti- corrosive type (AC)	Flat-form arm	Hold-open arm with on/off switch	Mounting backplate	Arm bracket adapter plate	Angle bracket	Drop plate	Parallel arm bracket	Spindle extension 16 mm
										
Size EN 3 – 6 BC/ÖD+DC/SV ■ 380201xx	<input type="checkbox"/>	<input type="checkbox"/>	<input type="checkbox"/>	<input type="checkbox"/>	#	#	#	#	#	#
Size EN 3 – 6 BC/ÖD		<input type="checkbox"/> (incl P.A.) y 38030301	<input type="checkbox"/> (incl P.A.) y 380208xx	<input type="checkbox"/> (incl P.A.) y 380233xx	#	#	#	#	#	#
Size EN 7 BC/ÖD ■ 830501xx	<input type="checkbox"/>	<input type="checkbox"/> 83060201	<input type="checkbox"/>	<input type="checkbox"/>	#	#			#	#

Order No.:	Colour*)	xx
■ Body only	silver	01
<input type="checkbox"/> Arm only	gold	02
■ Closer with arm, complete	other	09
# Optional accessory		

* Anti-corrosion protected closers and arms available in silver (01) only.

Specification text TS 83 EN 3 – 6

DORMA TS 83 rack and pinion door closer; with adjustable power size EN 3 – 6, according to EN 1154, carries the CE mark, integral self-regulating backcheck and adjustable delayed action; closing speed adjustable in three independent ranges and adjustable latch action. Non-handed.

- Model**
- anti-corrosion protected (AC)
 - with standard arm
 - with flatform arm
 - with hold-open arm

Accessories

- Colour**
- y silver
 - gold
 - y other (sim. RAL _____)

Model make DORMA TS 83 TS83

Specification text TS 83 EN 7

DORMA TS 83 rack and pinion door closer; with power size EN 7, according to EN 1154, carries the CE mark, integral self-regulating backcheck; adjustable closing speed and adjustable latch range. Non-handed.

- Model**
- with standard arm
 - with flatform arm
 - with hold-open arm

Accessories

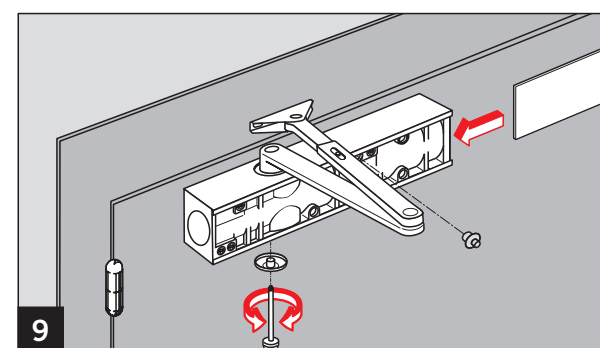
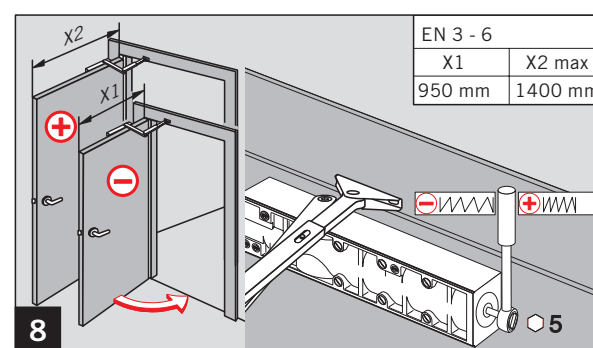
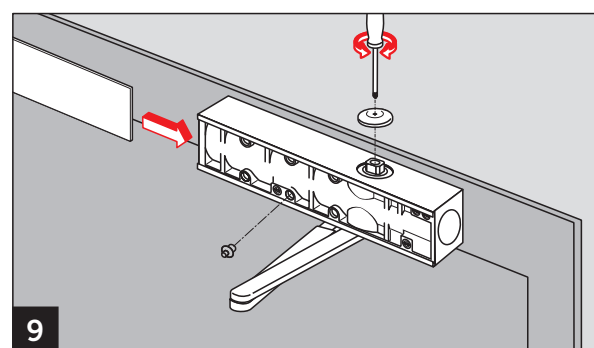
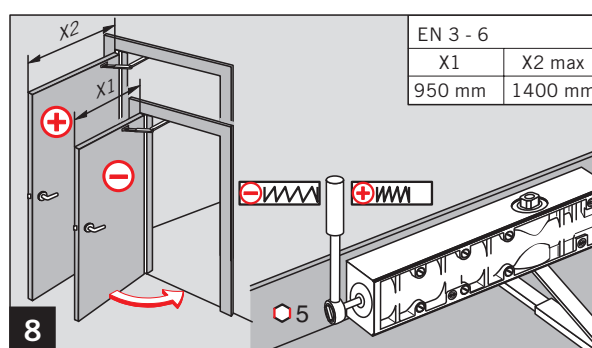
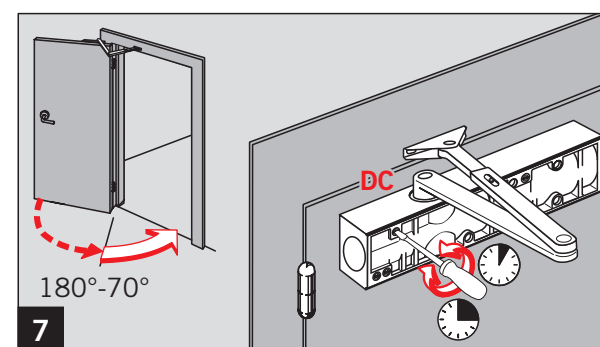
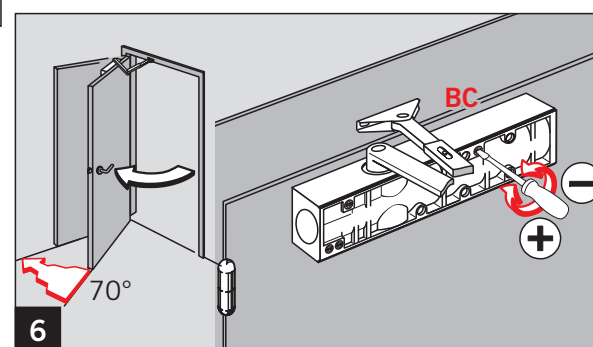
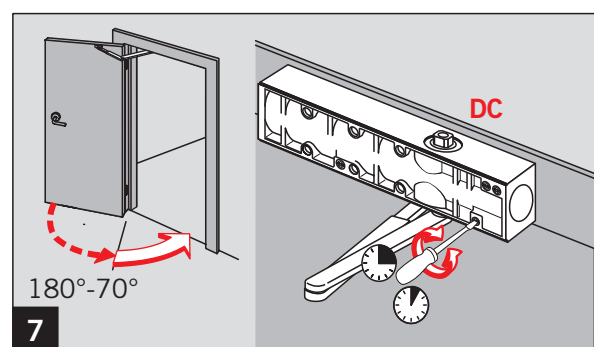
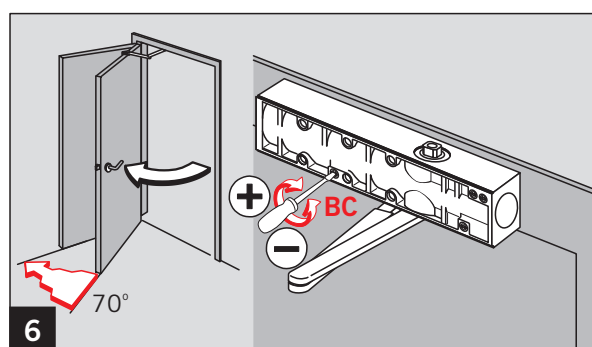
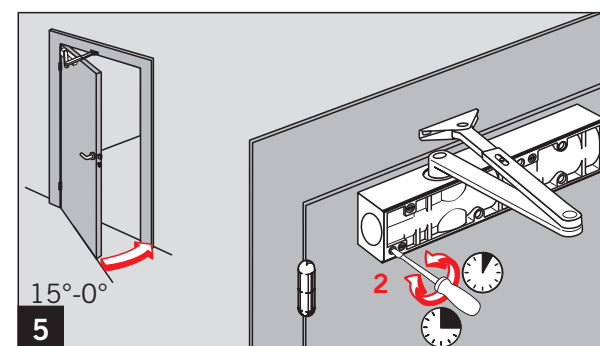
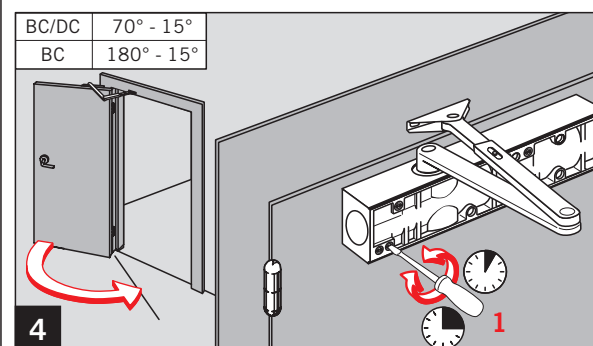
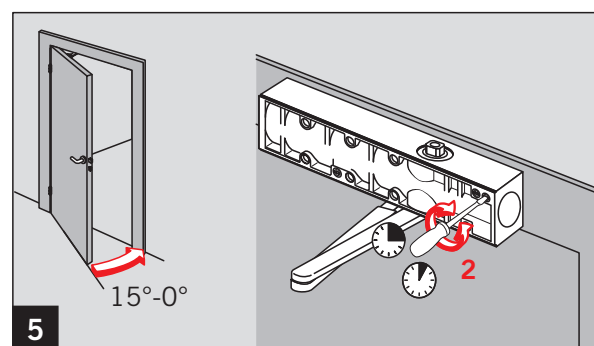
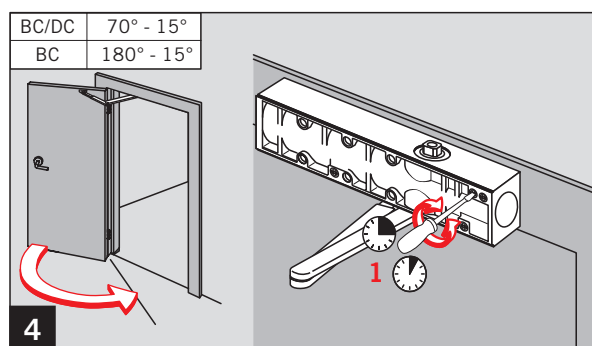
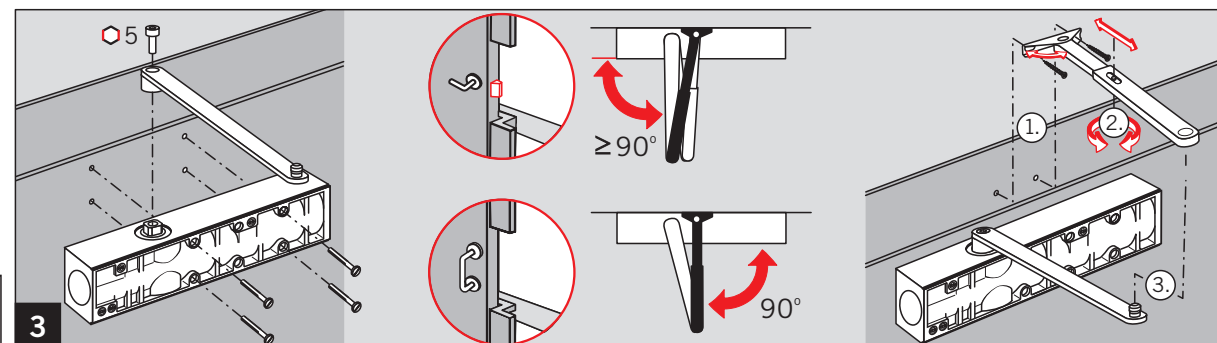
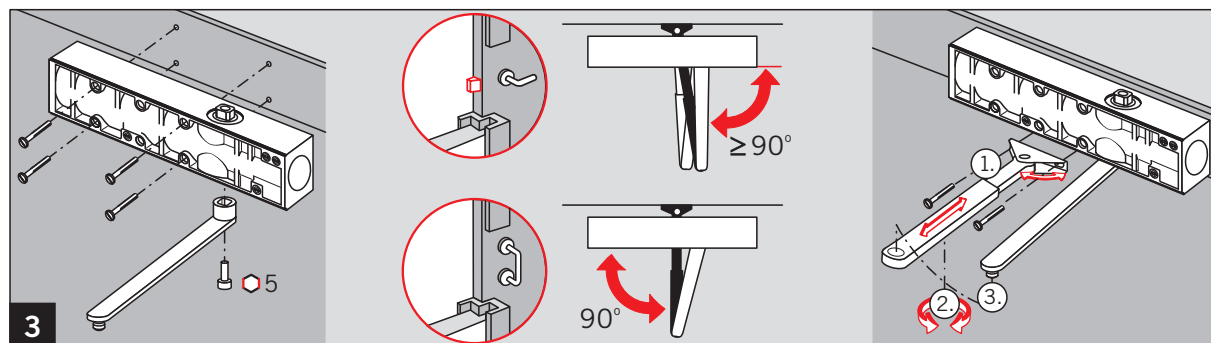
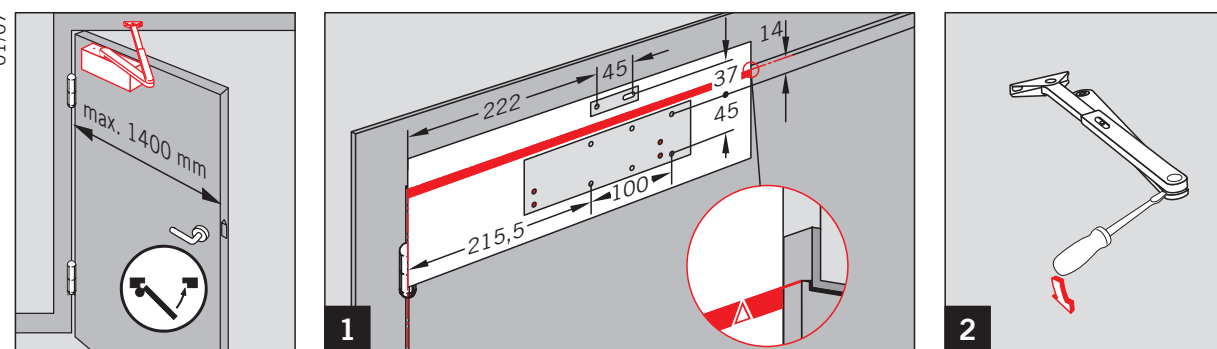
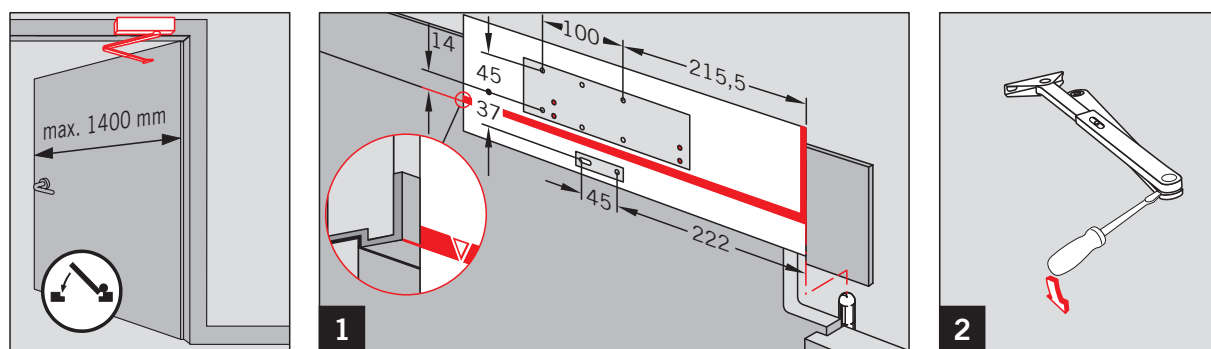
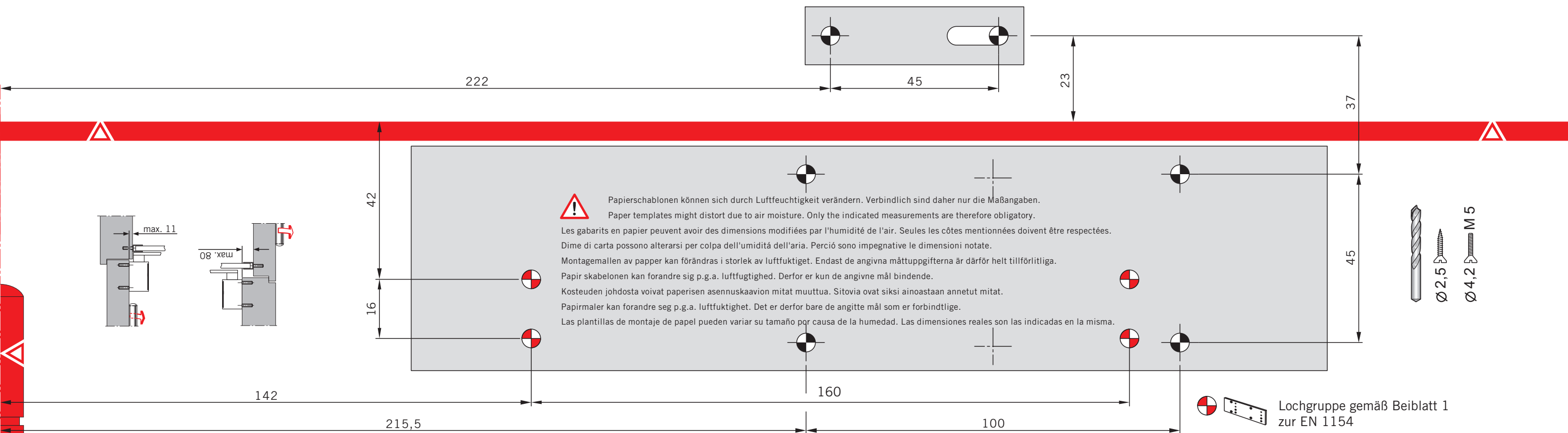
- Colour**
- silver
 - other (sim. RAL _____)

Model make DORMA TS 83 TS83



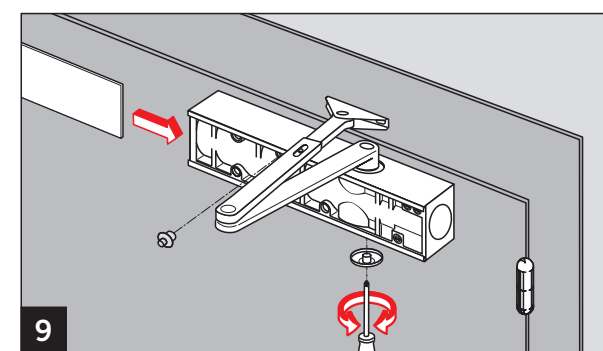
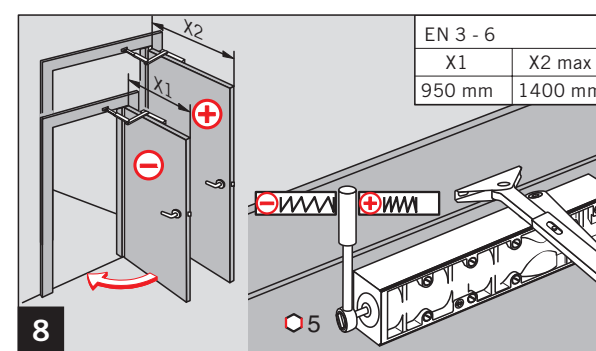
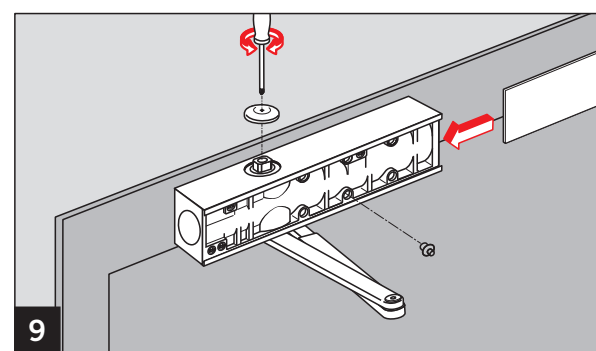
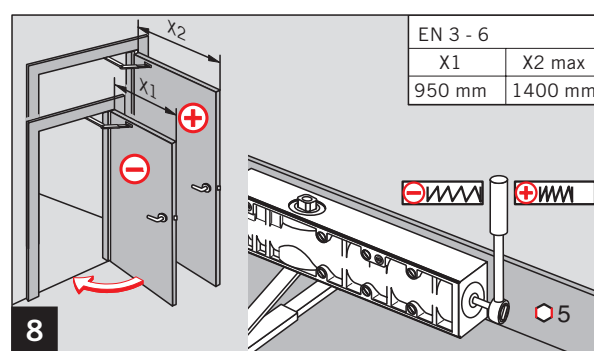
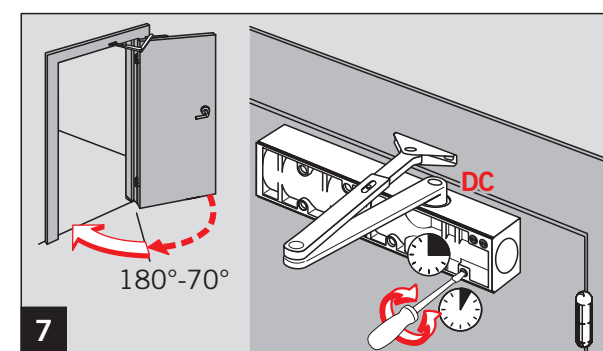
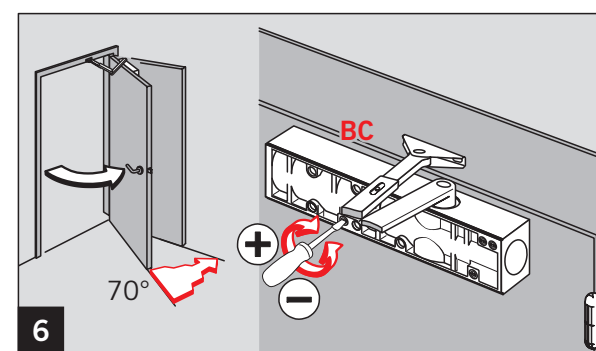
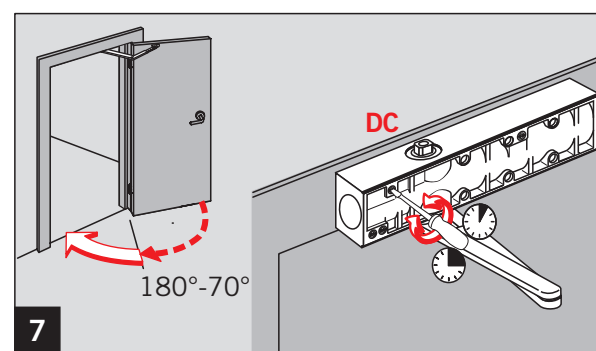
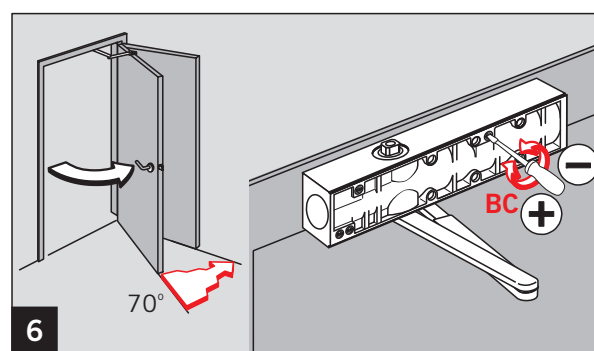
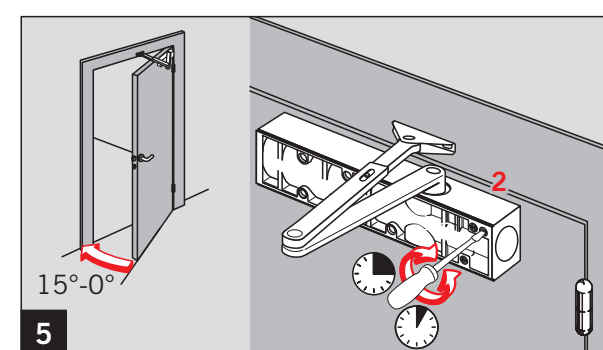
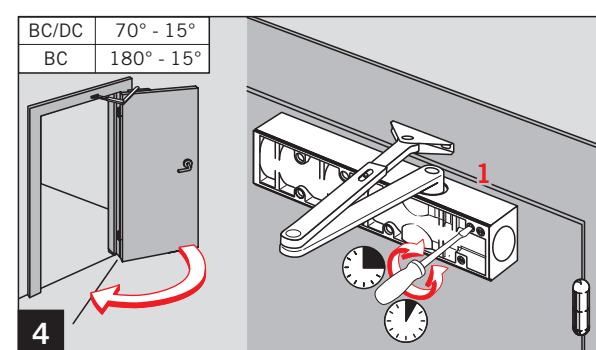
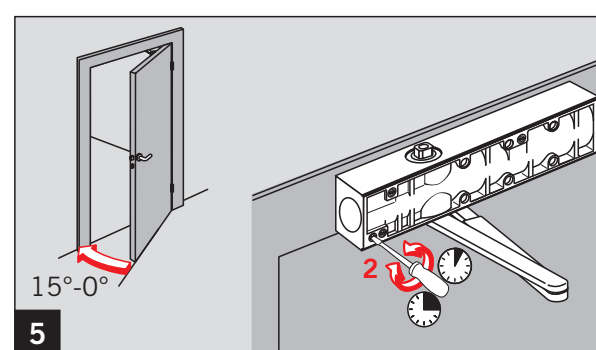
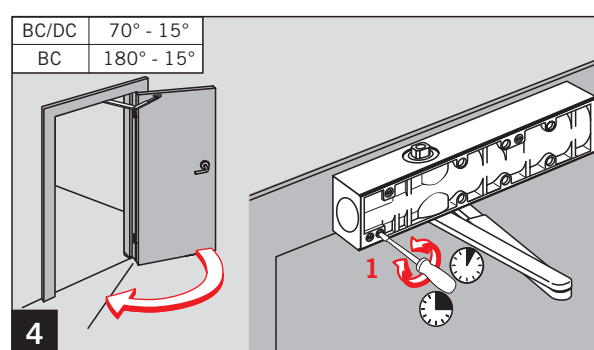
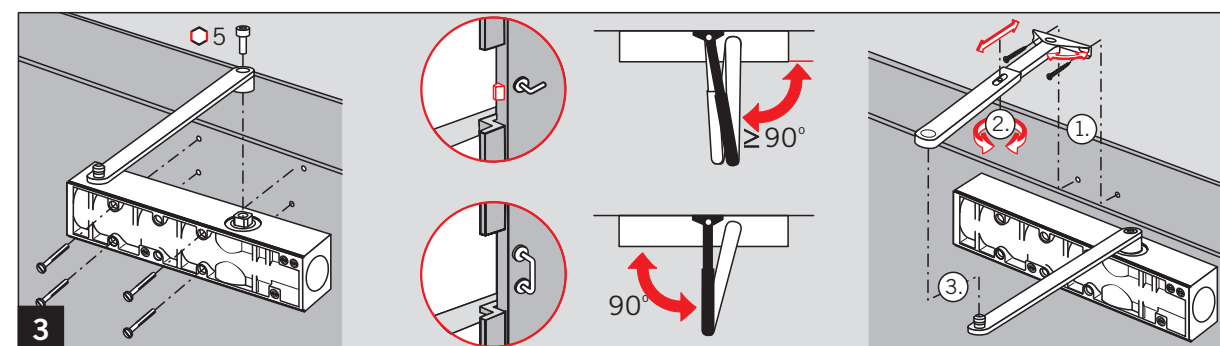
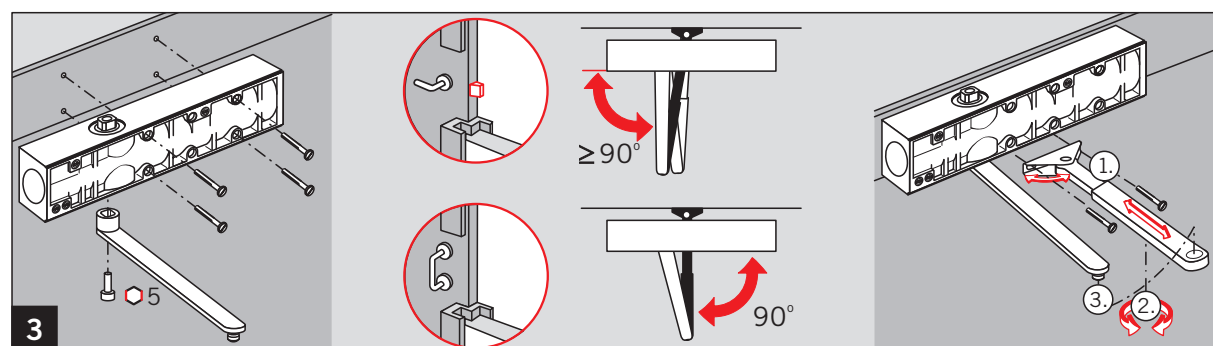
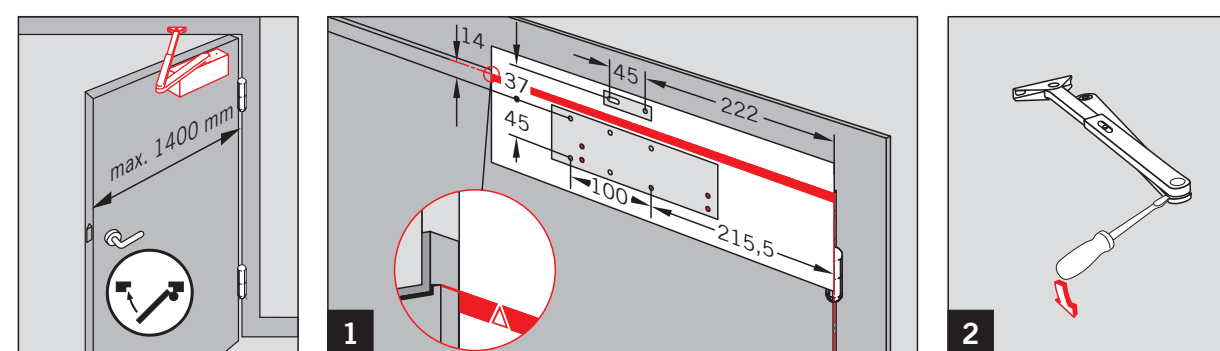
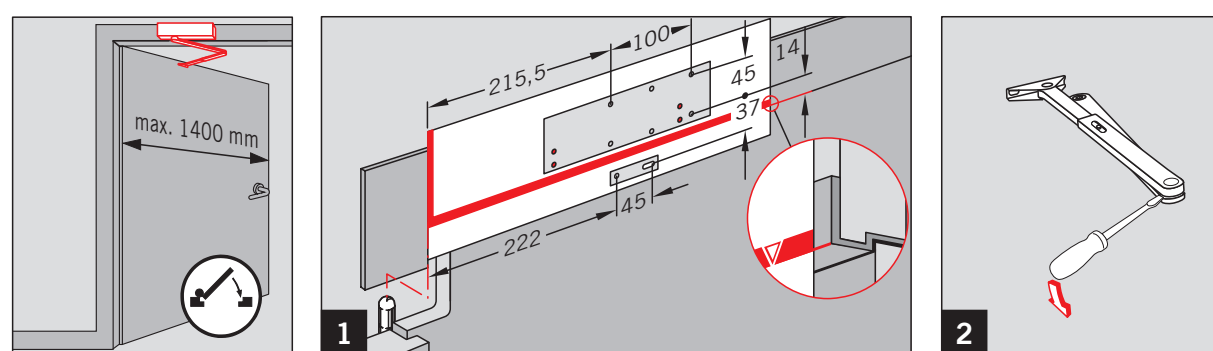
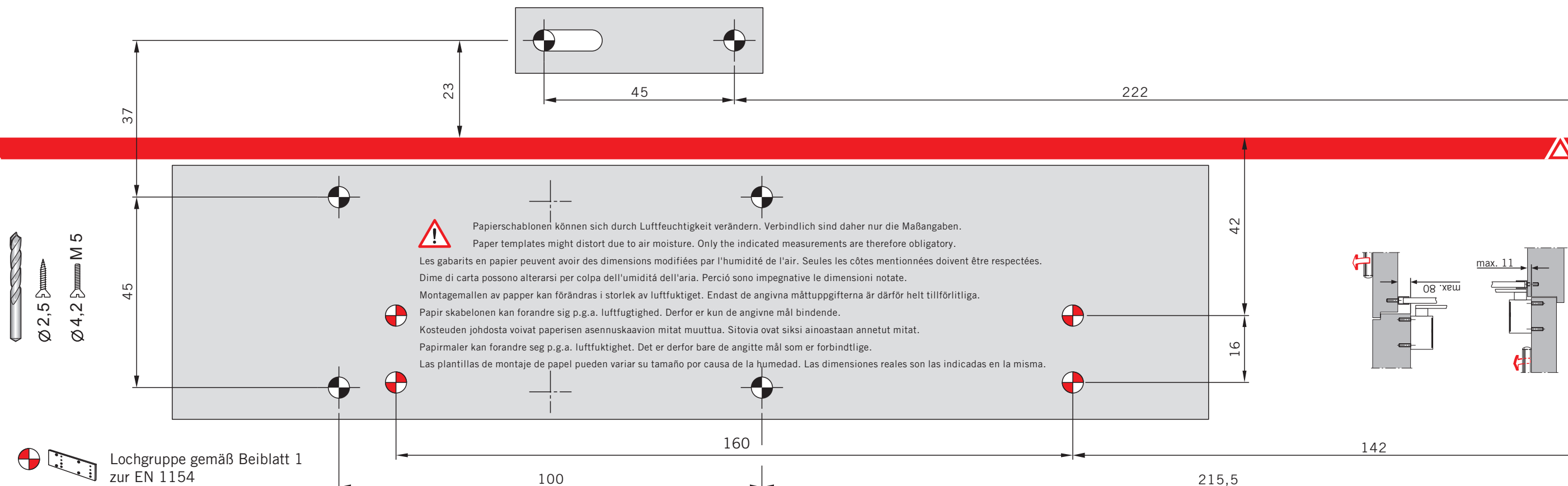
DORMA Australia P/L
Head Office
46-52 Abbott Road
HALLAM
Victoria 3803
Phone 1800 675 411
info.au@dorma.com
www.dorma.com.au

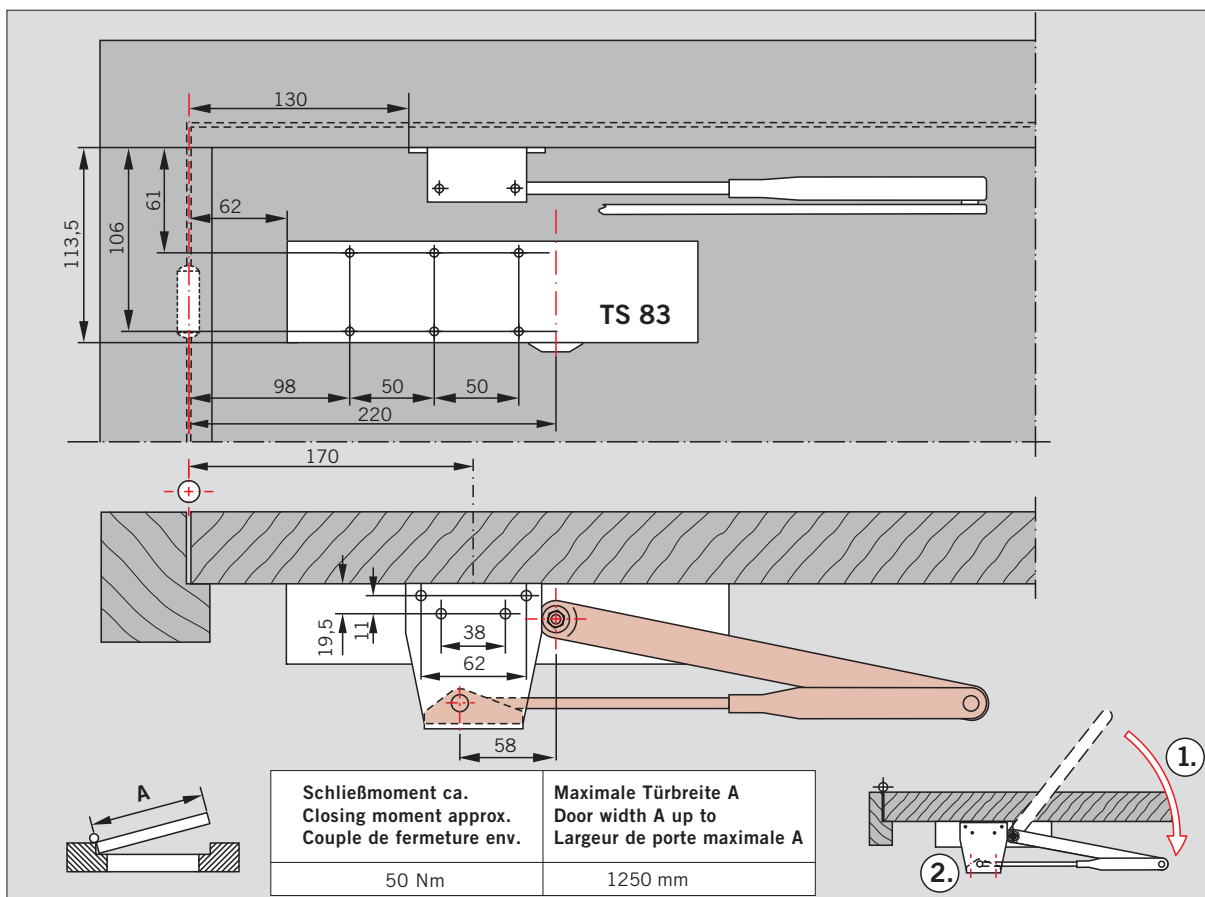
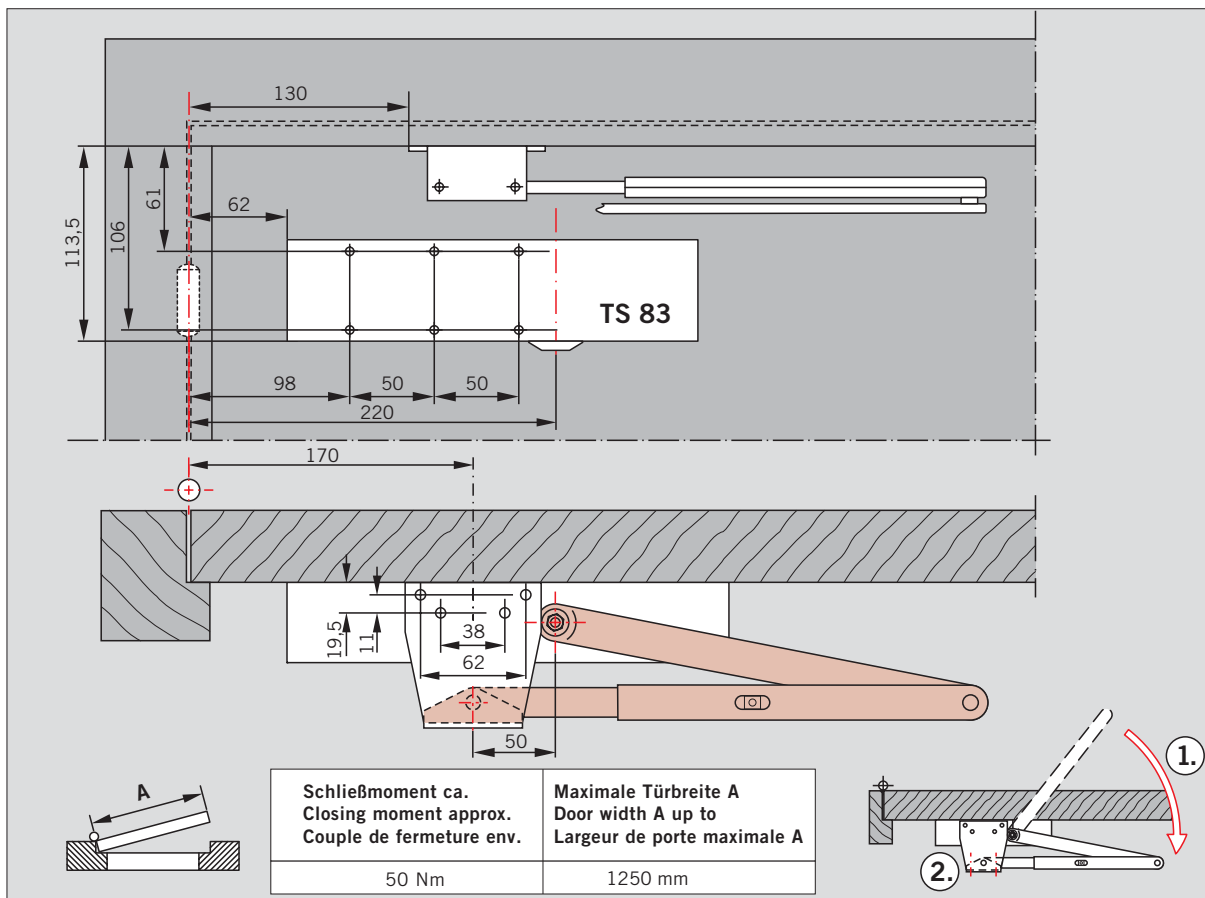
DORMA NZ Limited
Head Office
Building P
61-69 Patiki Road
AVONDALE
Auckland 1026
Phone 0800 436 762
info.nz@dorma.com



Änderungen vorbehalten
Subject to change without notice

WN 056356 45532 01/07
 04
 3 1 1 4
 4 8 6
 DORMA GmbH + Co. KG
 Postfach 4009
 58 247 Ennepetal
 0432 - BPR-0007 EN 1154:1996-A1:2002
 Dangerous substances: None

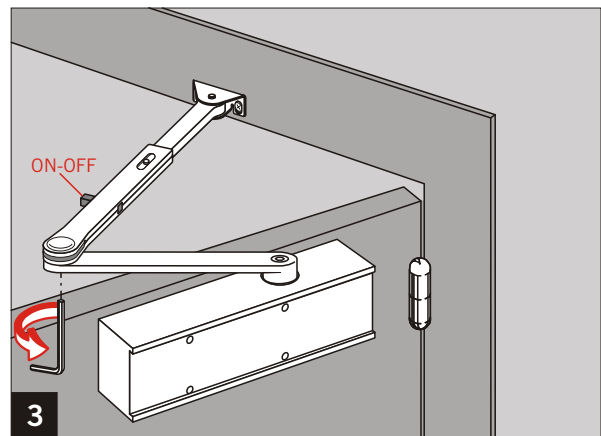
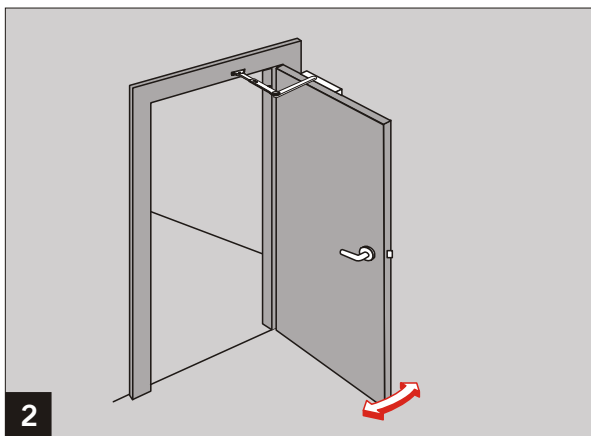
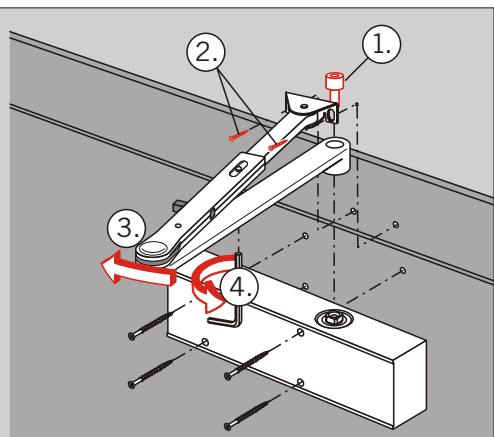
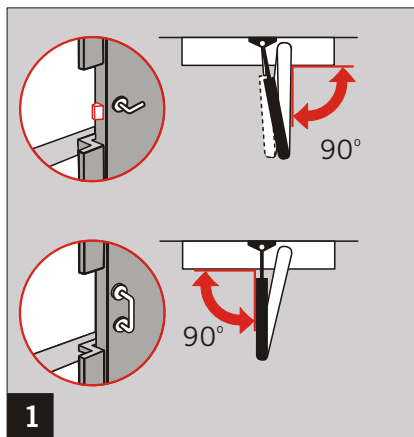
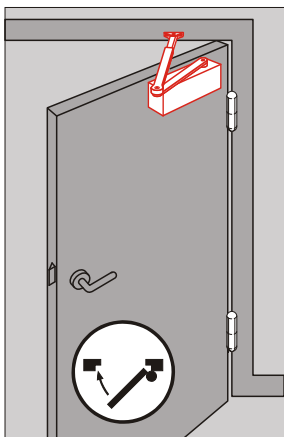
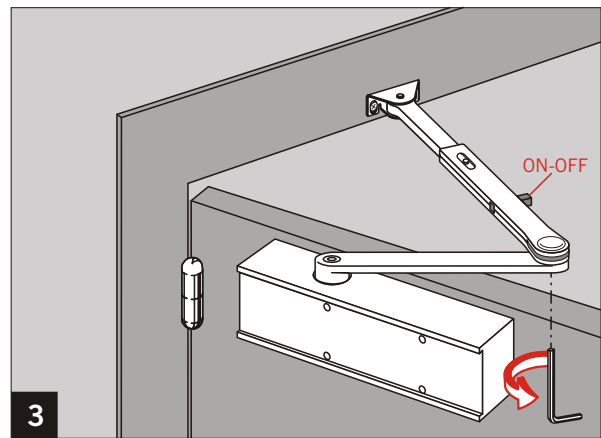
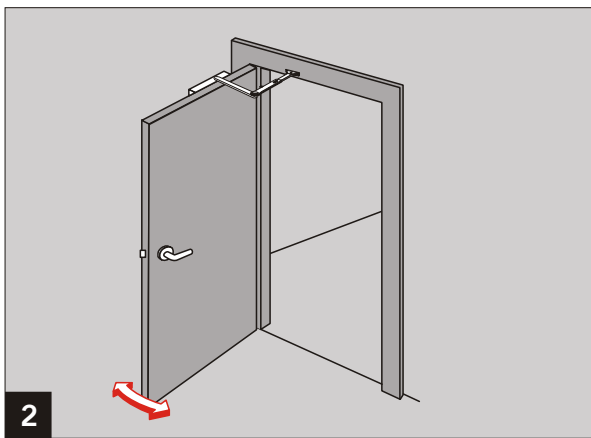
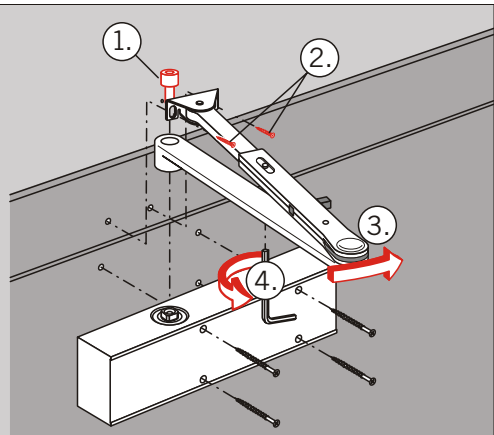
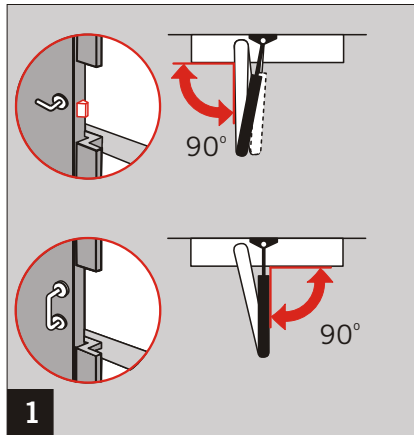
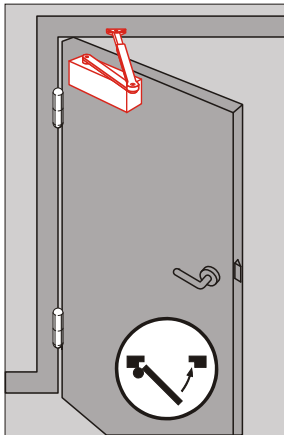


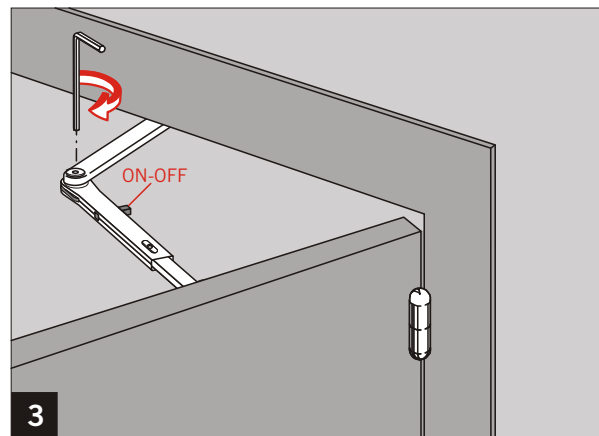
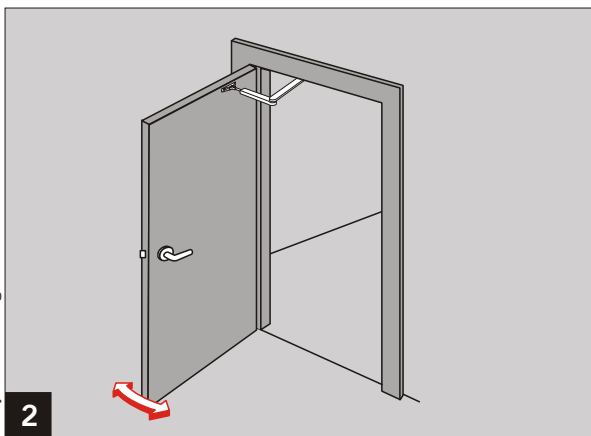
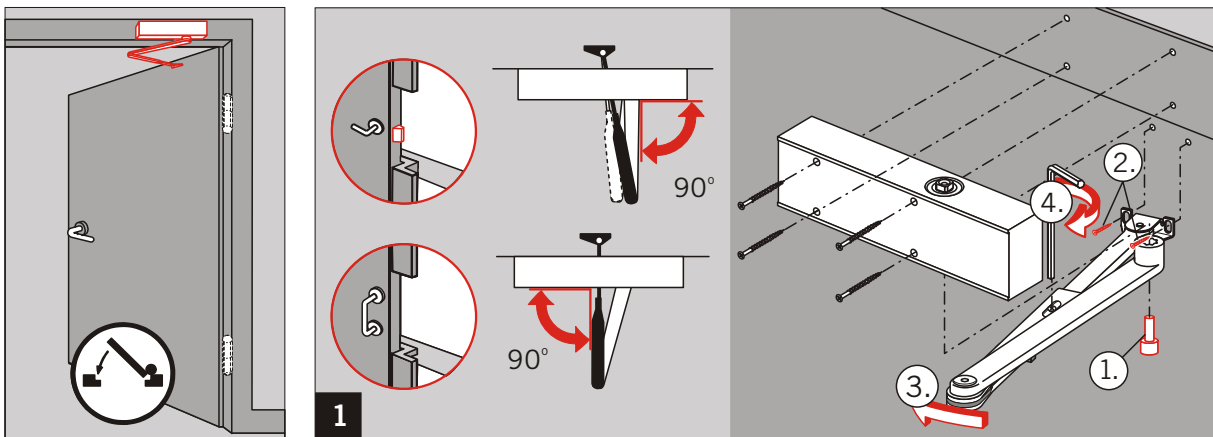
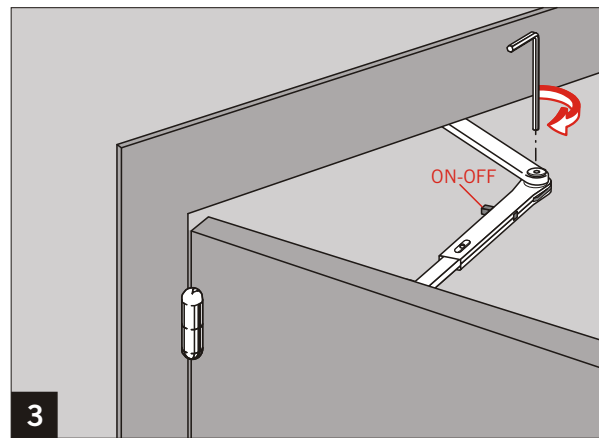
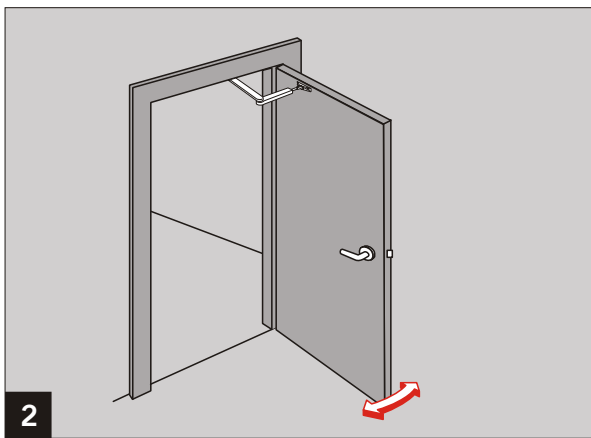
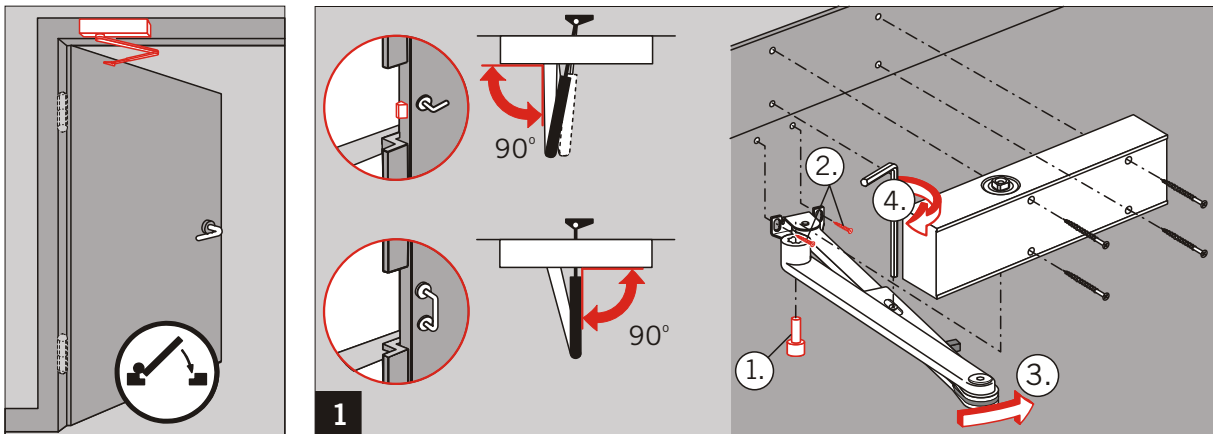


Änderungen vorbehalten
Subject to change without notice



WN 055903 45532
01/06





Änderungen vorbehalten
 Subject to change without notice