

TS 73 V

—

Door Closer

EASY TO FIT, ECONOMICAL AND WITH ADJUSTABLE CLOSING FORCE

Simple, easy installation, and guaranteed quality. Tested to EN 1154. Specially designed for internal doors, including fire doors, the DORMA TS 73 V is a universal solution for doors of differing designs and styles.

The flat and compact format of the TS 73 V means that there are practically no problems with installation; and tried and trusted quality is your assurance of reliability.

Certified to ISO 9001

Plus points

For the trade

- One model for all applications.
- Really practical solutions for special installation situations, thanks to the wide range of accessories.

For the installer

- Quick and simple to fit. Closing force, closing speed, and latching action all set with just a few manual adjustments.
- Only one design for DIN-L and DIN-R doors, and for standard and framefixing.

For the designers

- Compact format in timeless design.
- Attractively-priced solution with optimum reliability.
- Wide range of applications.
- Anti-corrosive design for moist and damp areas.

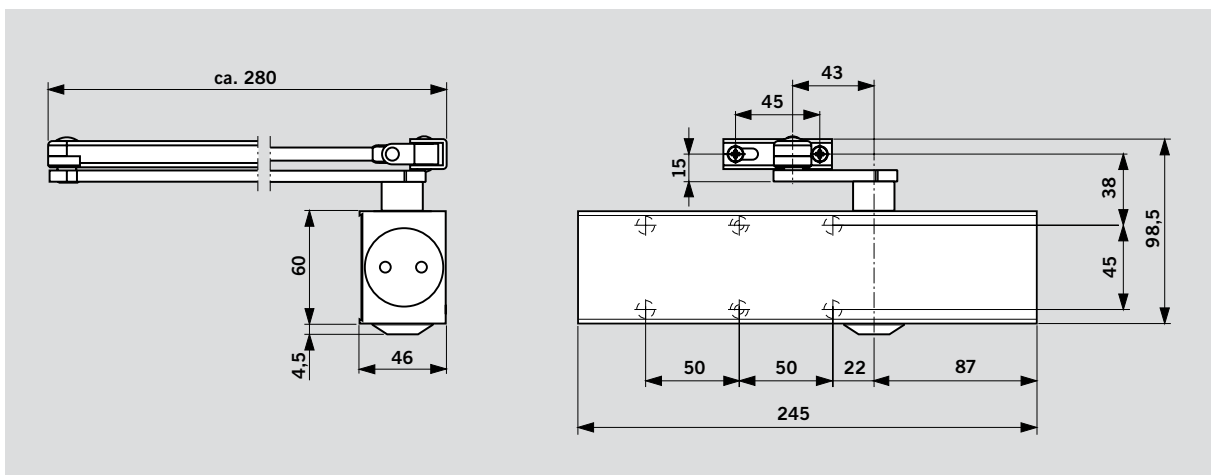
For the user

- Optimum wall and door protection thanks to "thinking" backcheck.
- Constant closing speed virtually unaffected by temperature fluctuations, with adjustable latch action.
- Smooth door action thanks to high mechanical efficiency.

Data and features		TS 73 V
Closing force adjustable	Size	EN 1-4
Standard doors ¹⁾	≤ 1100 mm	●
External doors, opening outwards ¹⁾		–
Fire and smoke control doors ¹⁾	≤ 1100 mm	●
Non-handed		●
Arm	Standard	●
	Flat form	○
	Slide channel	–
Closing force variable by means of adjustment screw		●
Closing speed adjustable at 3 separate valves	180° – 70°	●
	70° – 15°	●
	15° – 0°	●
Backcheck	self-regulating adjustable valve	●
Adjustable latching action	by arm	●
Delayed action		●
Hold-open		○
Weight in kg		1.7
Dimensions in mm	Length	245
	Overall depth	46
	Height	60
Door closer tested to EN 1154		●
CE mark for construction products		●
Approved to AS1905 Part 1 Fire Resistant Doors		●

● Yes – No ○ Option

¹⁾ For high and heavy doors, external doors, and for doors required to close against high wind pressure, we recommend DORMA TS 83.



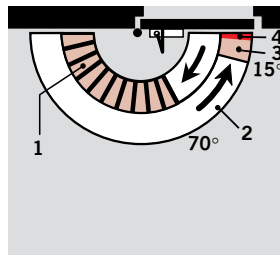
FEATURES AND OPTIONAL FUNCTIONS

With “thinking” backcheck (BC/ÖD)

Thanks to an innovative design concept, the resistance developed by this backcheck system as the door is opened beyond approx. 70° is directly proportional to door acceleration.

It is almost imperceptible when the door is opened slowly. However, if the door is opened hastily, the

backcheck responds in equal measure. And if the door should be flung open at speed – whether deliberately, thoughtlessly, accidentally or as a result of a gust of wind – the backcheck reacts at full strength, protecting the wall and door from damage.

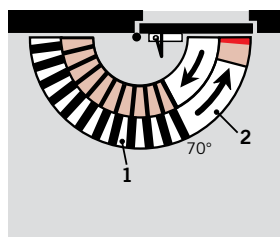
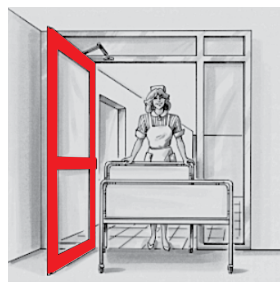


- 1 Self-regulating backcheck
- 2 Infinitely variable closing speed in the range 180° – 70°
- 3 Infinitely variable closing speed in the range 70° – 15°
- 4 Adjustable latch range (by arm)

With additional delayed action – Model BC/ÖD + DC/SV

This model with its additional, integrated delayed action enables the closing cycle to be retarded within an adjustable range from 180° – 70° so that disabled persons, mothers with prams and people carrying bulky items are able to pass through the door without difficulty.

This model can also be used for fire doors.

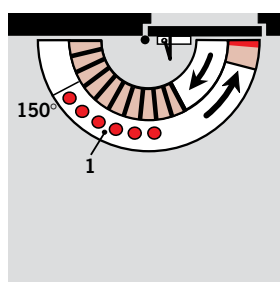


- 1 Adjustable delayed action
- 2 Fully controlled closing with adjustable speed

With hold-open arm

Combining the TS 73 V with a hold-open arm enables the door to be held open at an appropriate angle (up to approx. 150°).

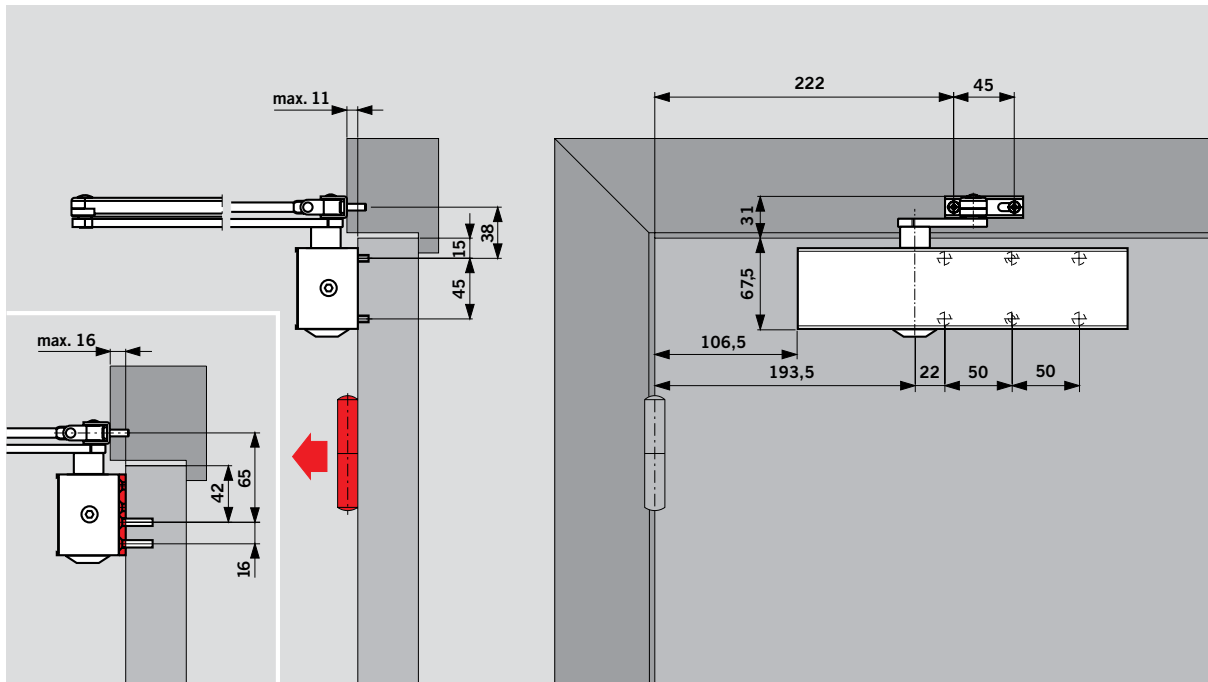
Hold-open arm with switch: The hold-open function can be switched on and off by the user by simply pressing a switch.



- 1 Hold-open range

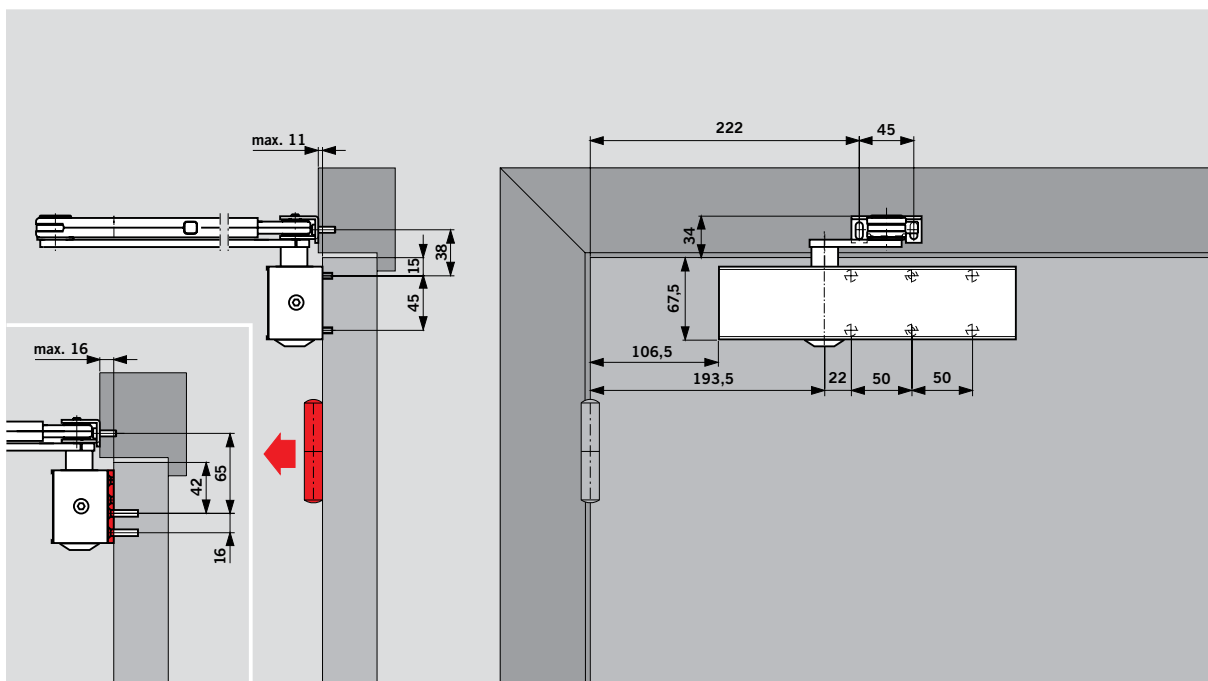
Hold-open arms are not permitted on fire doors

DOOR LEAF FIXING, PULL SIDE



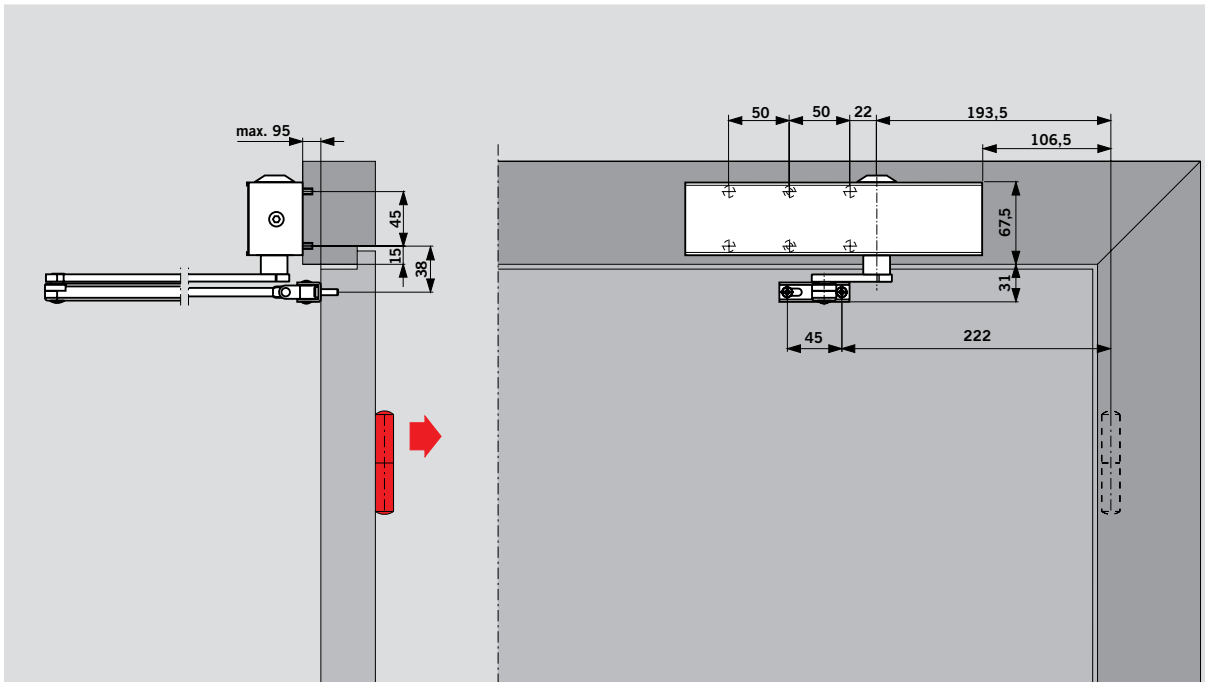
(example shows LH (ISO 6) door; RH (ISO 5) doors mirrored arrangement)

DOOR LEAF FIXING WITH HOLD OPEN ARM



(example shows LH (ISO 6) door; RH (ISO 5) doors mirrored arrangement)

TRANSOM FIXING, PUSH SIDE



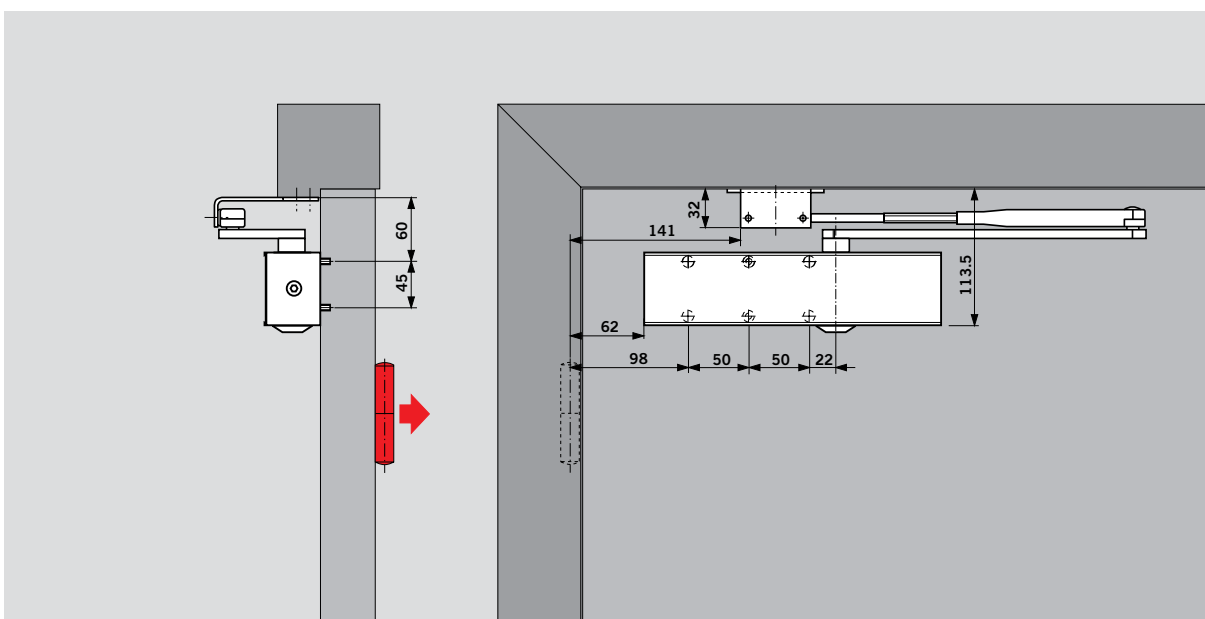
(example shows LH (ISO 6) door; RH (ISO 5) doors mirrored arrangement)

Door closers may only be fitted on the frame of fire doors if proved suitable for the individual door by the issue of an approval certificate from a recognised testing institution.

Transom fixing:

With transom-fixed closers, the backcheck only responds at between 85° and 90°, depending on the depth of reveal and type of door hinge involved; the delayed action, on the other hand, releases the door at an earlier point in its closing sweep.

DOOR LEAF FIXING, PUSH SIDE, PARALLEL ARM INSTALLATION

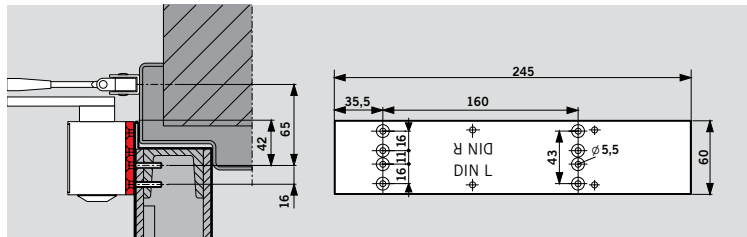


(example shows RH (ISO 5) door; LH (ISO 6) doors mirrored arrangement)

ACCESSORIES

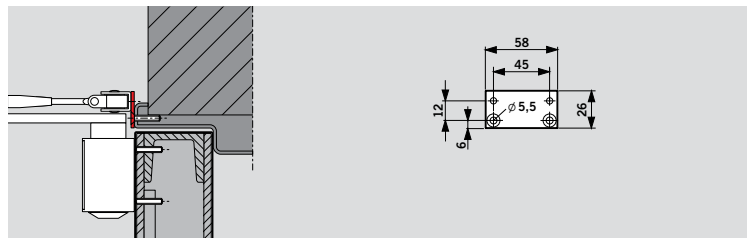
Mounting plate TS 73 V/TS 83

For fitting the door closer to fire doors and to doors where direct fitting is not possible. Hole group according to EN 1154, supplement 1.



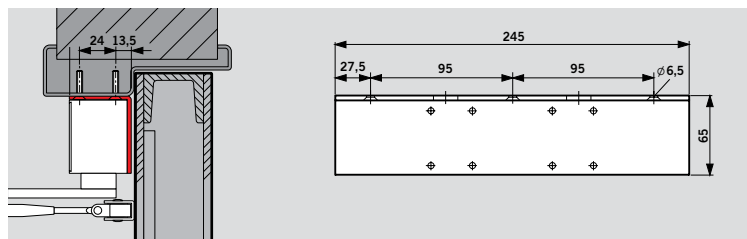
Hinge plate TS 73 V/TS 83

For securing the arm to particularly narrow door frames.



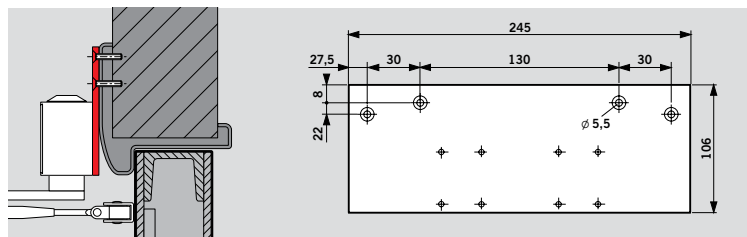
Angle bracket TS 73 V/TS 83

For overhead fitting on the push side, for deep-set door lintels. On fire doors, proof of suitability required in relation to the individual door concerned.



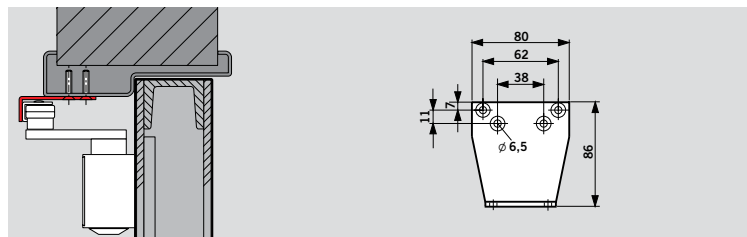
Drop plate TS 73 V/TS 83

For use where the closer cannot be fitted directly to the door. On fire doors, proof of suitability required in relation to the individual door concerned.



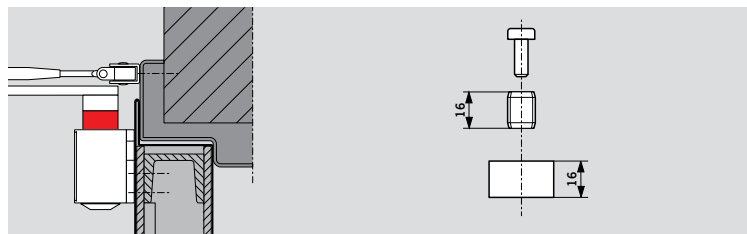
Parallel arm bracket TS 73 V/TS 83

For parallel arm installation (see installation instructions for fitting dimensions).



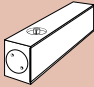



Spindle extension TS 73 V/TS 83

For increasing the distance between the closer and the arm assembly in the case of doors with a high overlap; 16 mm high.

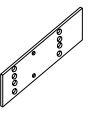
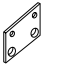
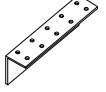

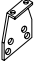



RANGE OF EQUIPMENT AND OPTIONAL ACCESSORIES

Range of equipment

Closer body TS 73 V	Standard arm	Platform arm	Hold-open arm with on/off switch
	 <input type="checkbox"/> 220023xx	 <input type="checkbox"/> 830001xx	 <input type="checkbox"/> 220030xx
Size EN 1 - 4	(incl P.A.) <input type="checkbox"/> 370204xx		(incl P.A.) <input type="checkbox"/> 370233xx
<input checked="" type="checkbox"/> 370201xx	<input type="checkbox"/>	<input type="checkbox"/>	<input type="checkbox"/>

Accessories

Mounting plate	Hinge plate	Angle bracket	Drop plate
 380001xx	 830014xx	 380003xx	 380002xx
Parallel arm bracket	Spindle extension 16 mm		
 280066xx	 83003705		

Order No.: Colour xx
 = Body only silver 01
 = Arm only gold 02
 = Closer with arm, special 09
complete

Specification text

DORMA TS 73 V rack and pinion door closer; with adjustable power size EN 1 – 4, according to EN 1154, carries the CE mark, integral self-regulating backcheck and adjustable delayed action; closing speed adjustable in three independent ranges and adjustable latch action. Non-handed.

Model
 with standard arm
 with platform arm
 with hold-open arm with on/off switch
Accessories _____

Colour
 Silver
 White (sim. RAL 9016)
 Special _____ (sim. RAL _____)

Make: DORMA TS 73 V



DORMA Australia P/L
Head Office
Victorian Sales Office
46-52 Abbott Road,
Hallam, Victoria 3803
Telephone (03) 8795 0666
Facsimile (03) 8795 0280
Toll Free Facsimile
1800 333 309

New South Wales &
Australian Capital Territory
Telephone (02) 9645 8350
Facsimile (02) 9645 8355

Queensland
Telephone (07) 3394 6810
Facsimile (07) 3394 2953

New Zealand
Dorma NZ Limited
Building P
61-69 Patiki Road
Avondale
Auckland 1026
Telephone (09) 830 2052
Facsimile (09) 820 4909

South Australia &
Northern Territory
Telephone (08) 8337 4064
Facsimile (08) 8365 8572

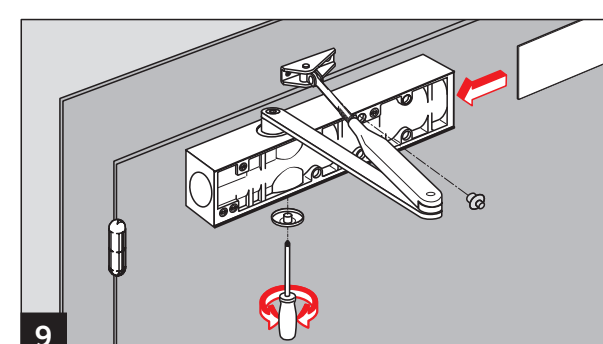
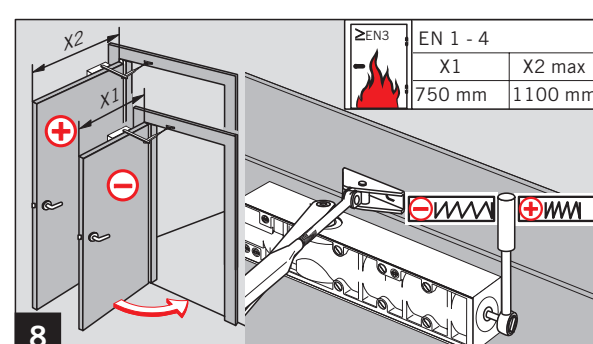
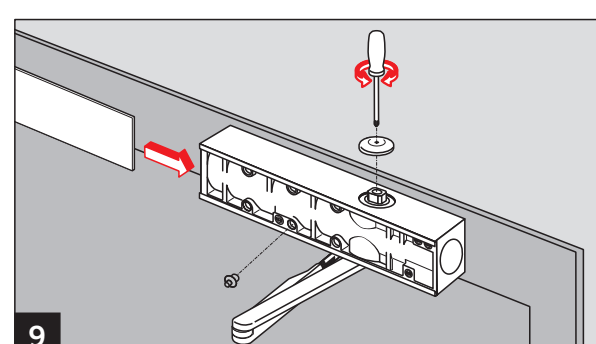
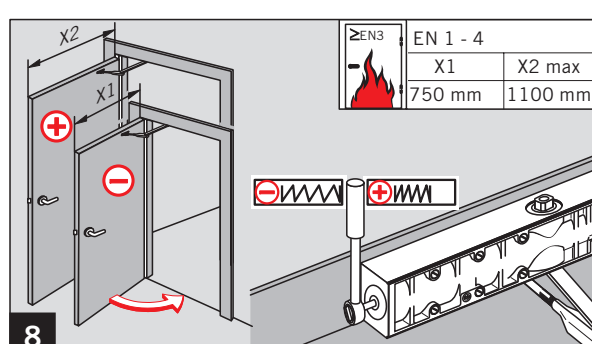
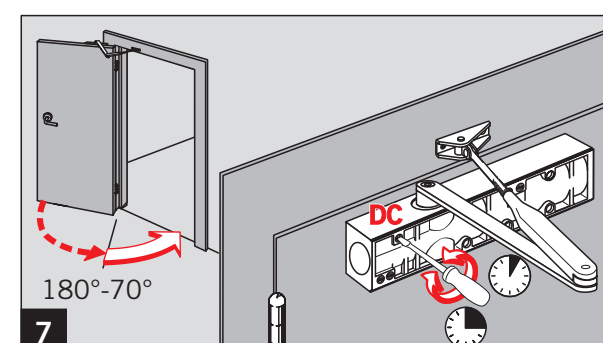
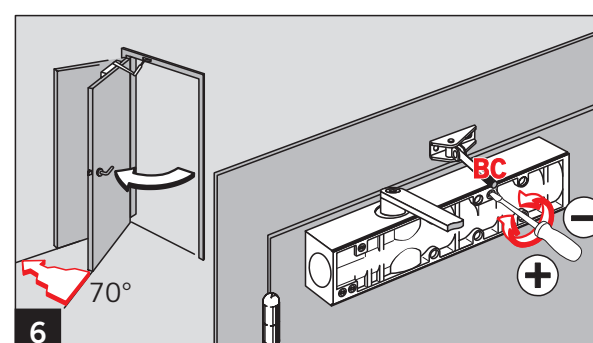
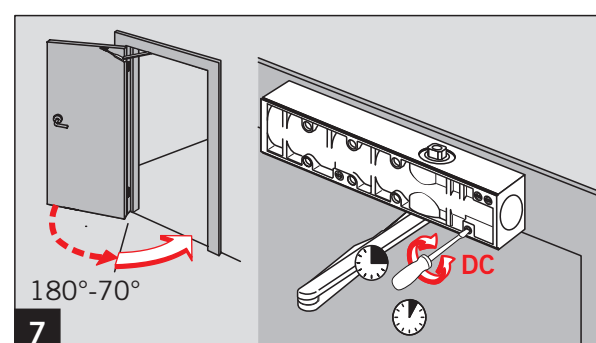
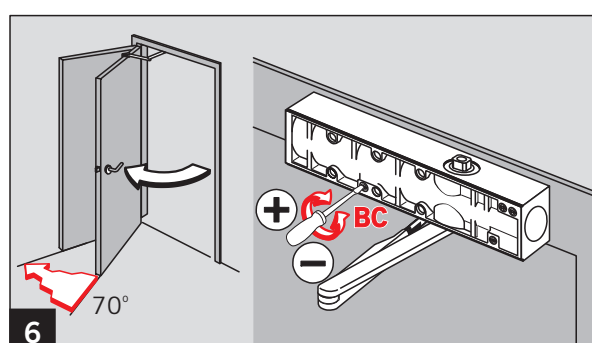
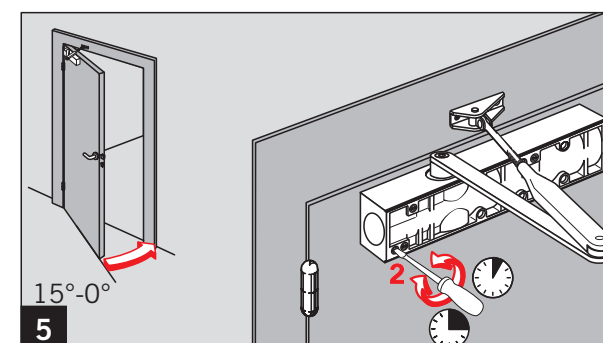
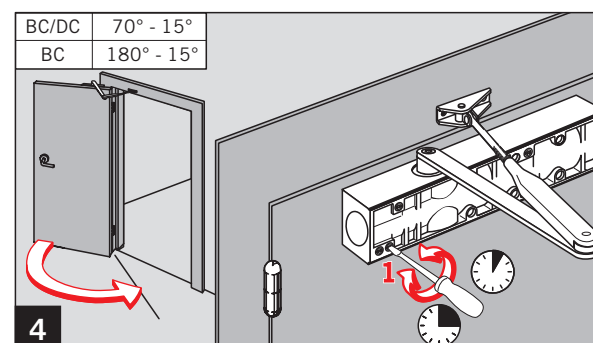
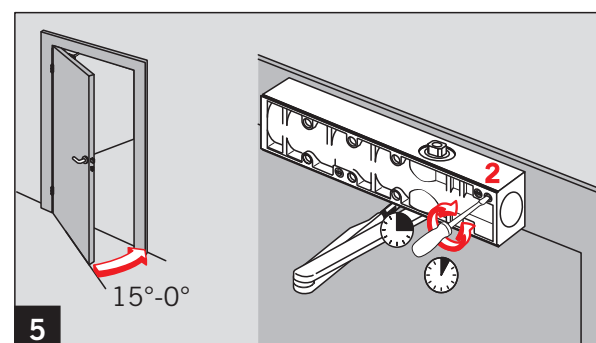
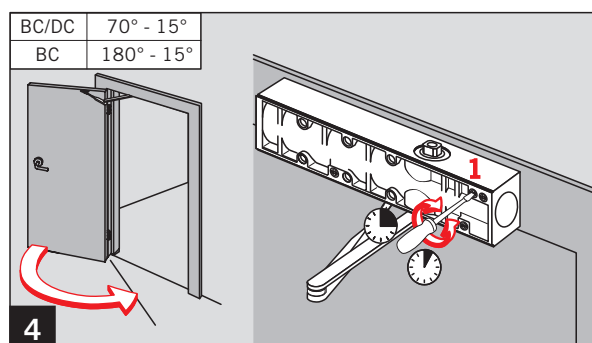
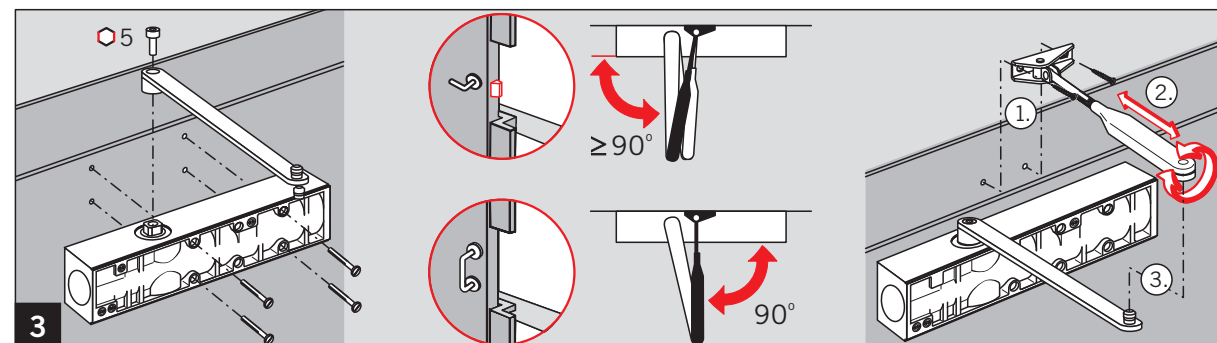
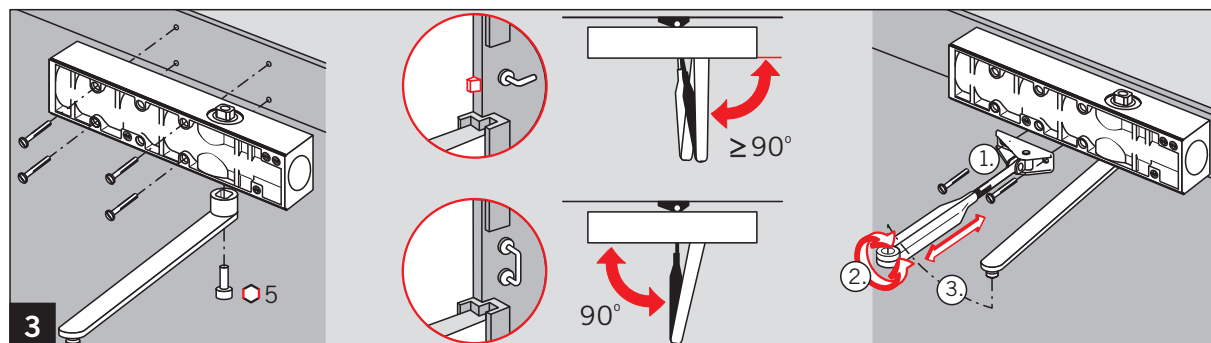
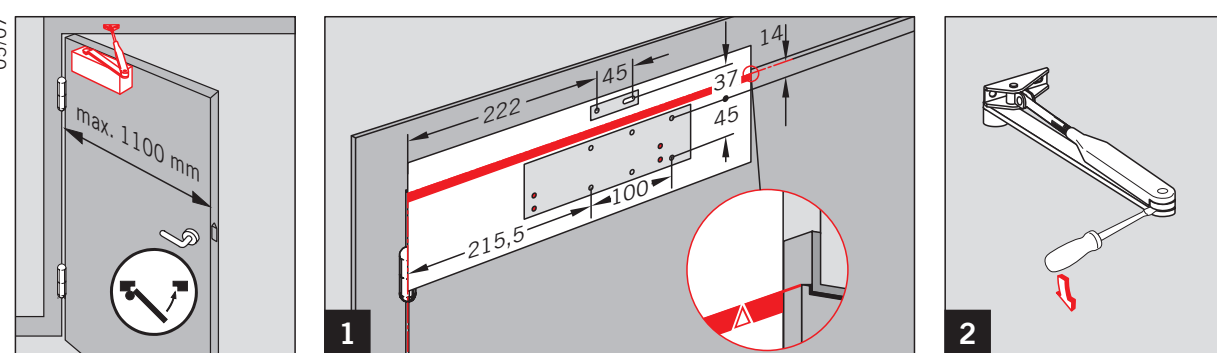
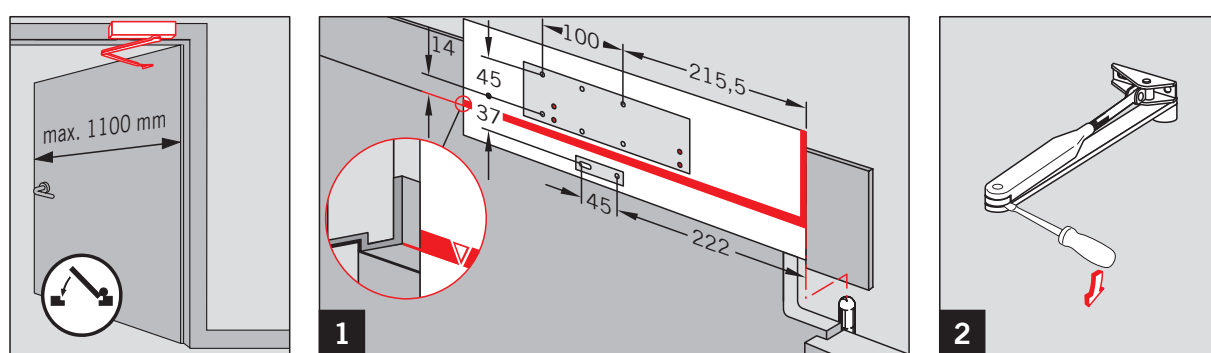
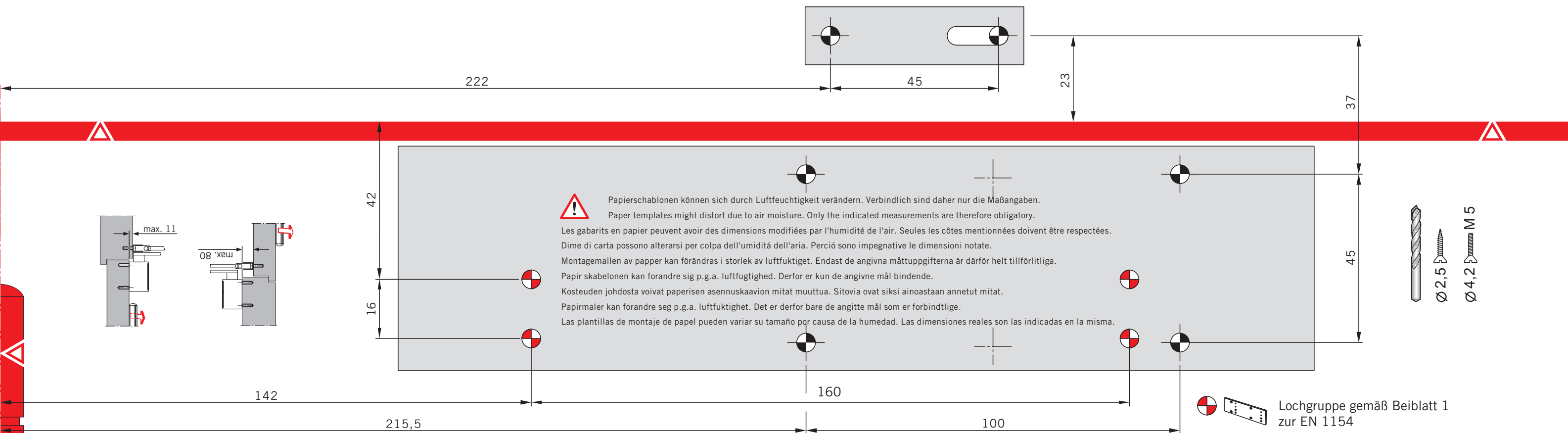
Western Australia
Telephone (08) 9228 2322
Facsimile (08) 9228 2422

Newcastle
Telephone (02) 4960 2606
Facsimile (02) 4960 2544

ACT
Telephone (02) 6203 0323
Facsimile (02) 6260 1810

Tasmania
Telephone (03) 6225 4117

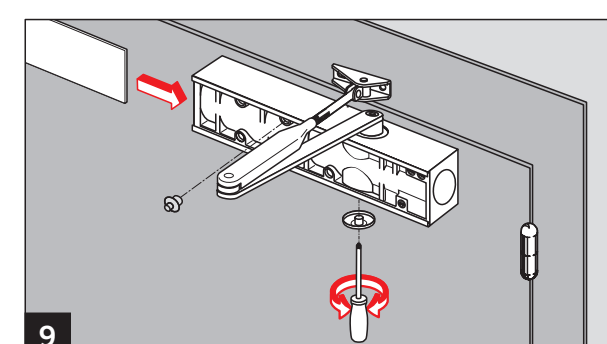
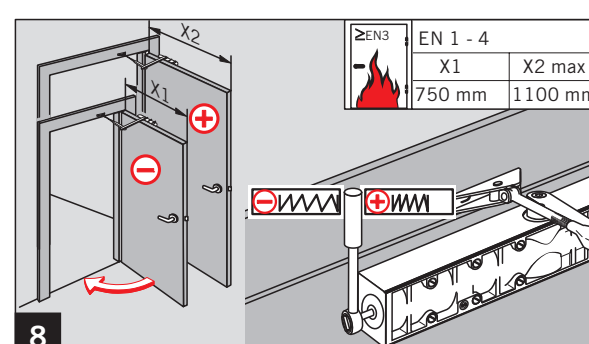
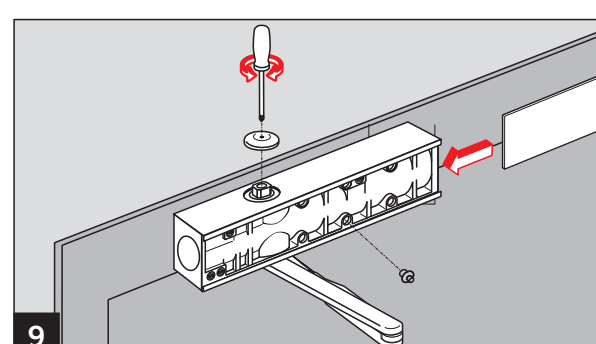
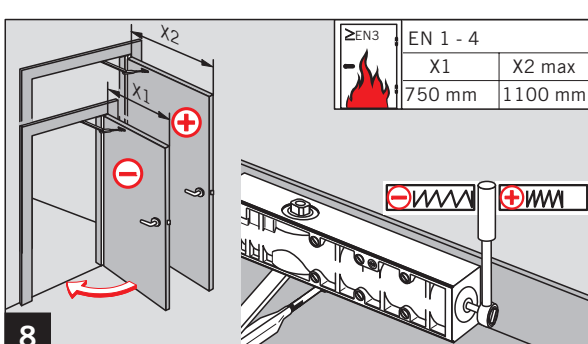
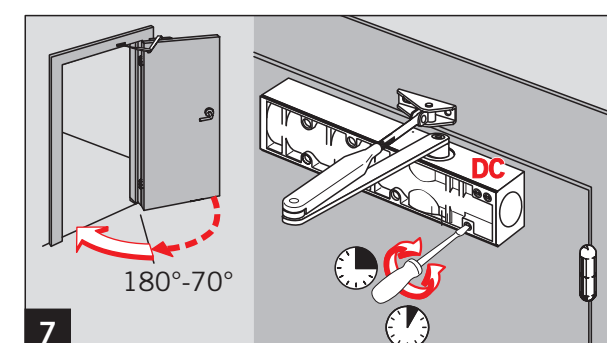
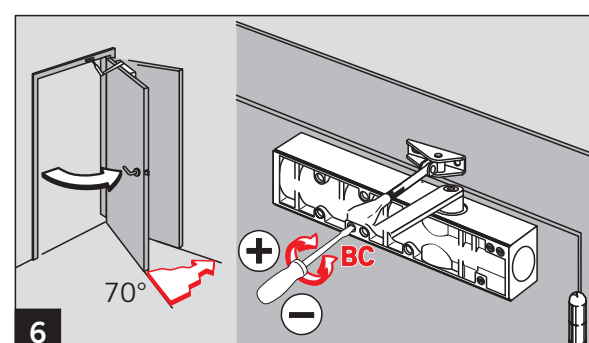
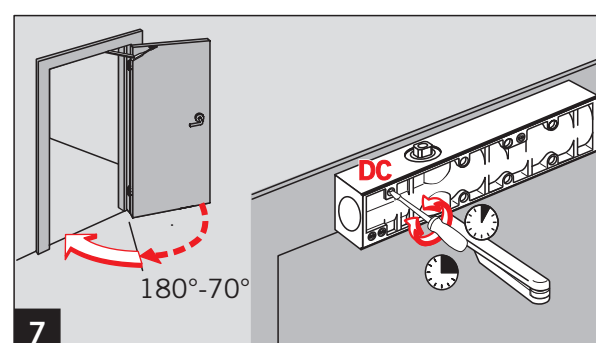
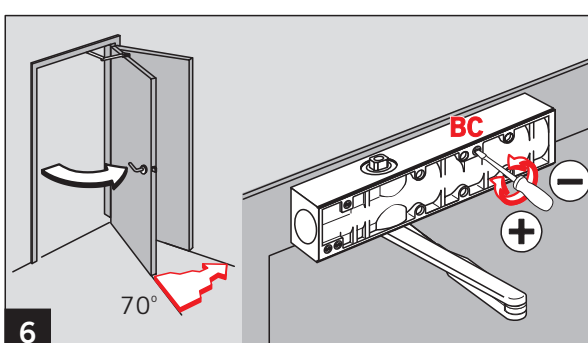
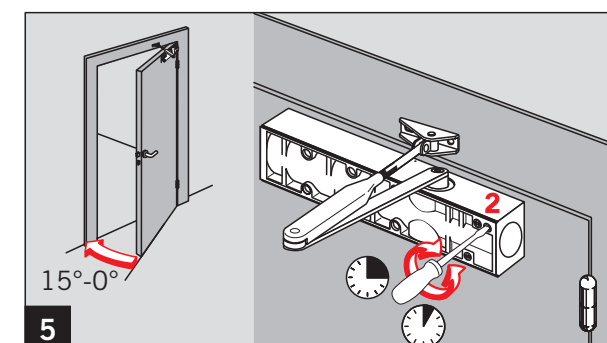
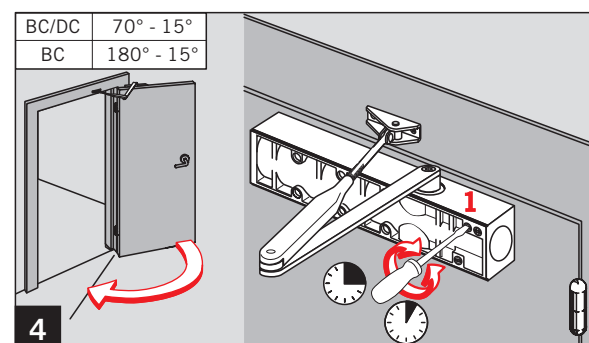
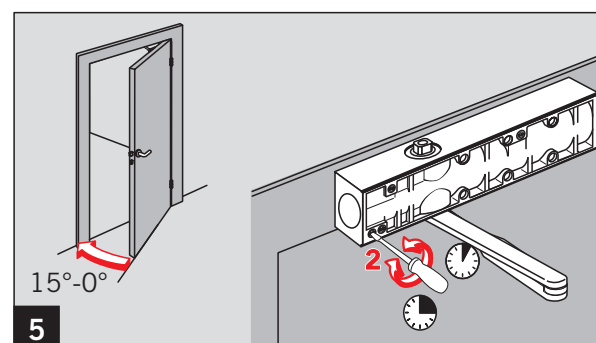
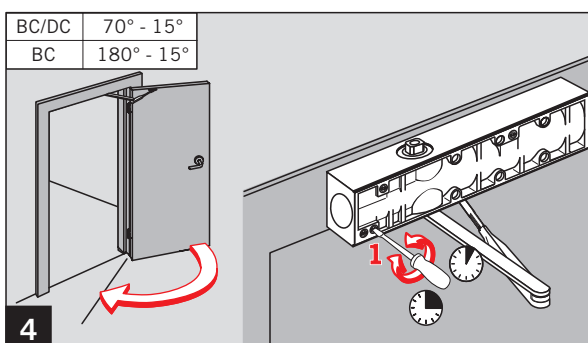
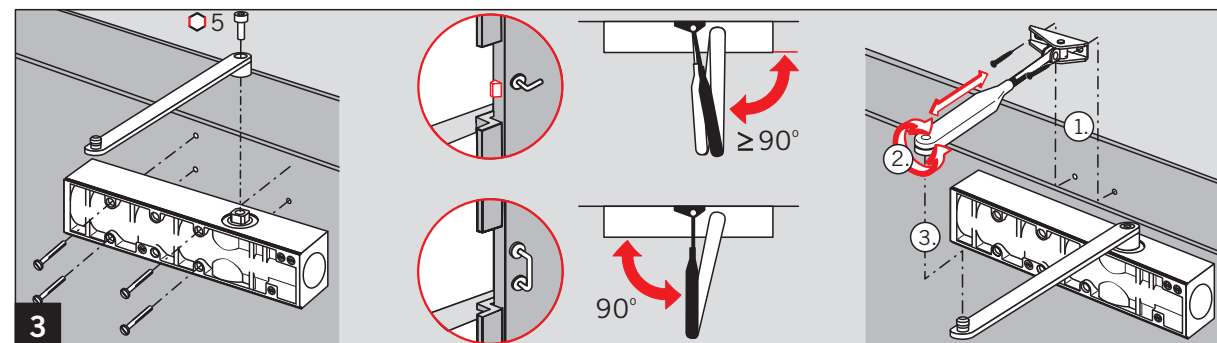
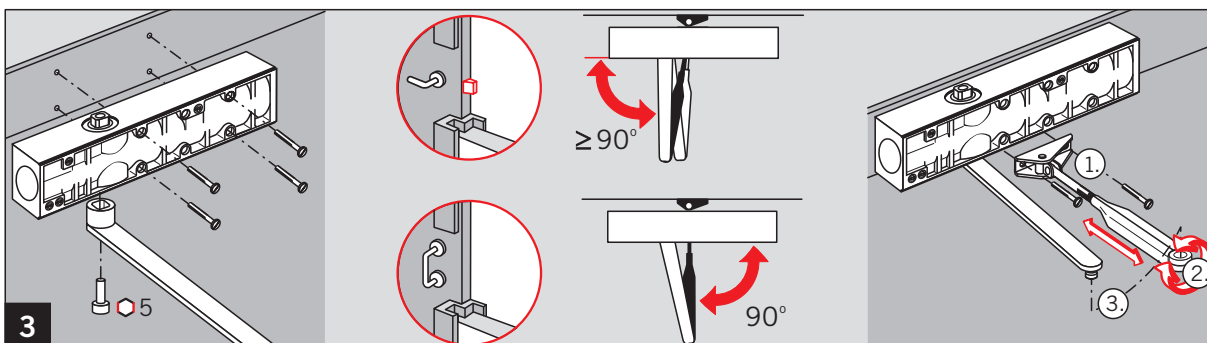
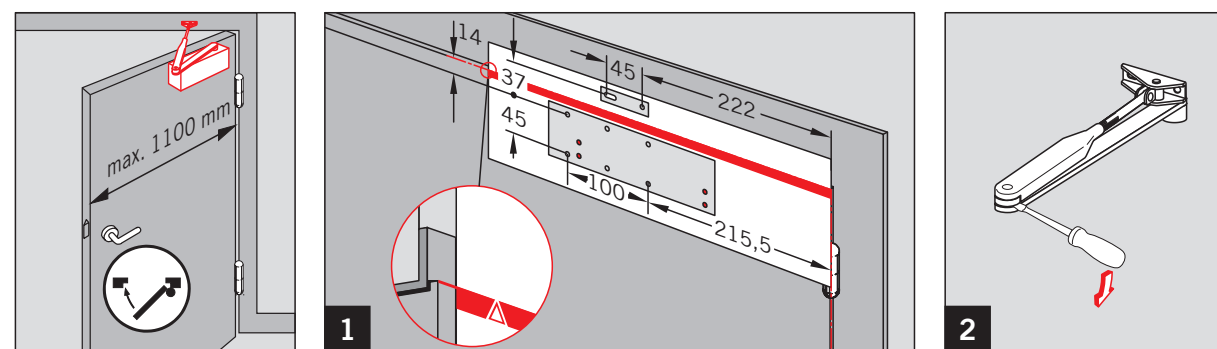
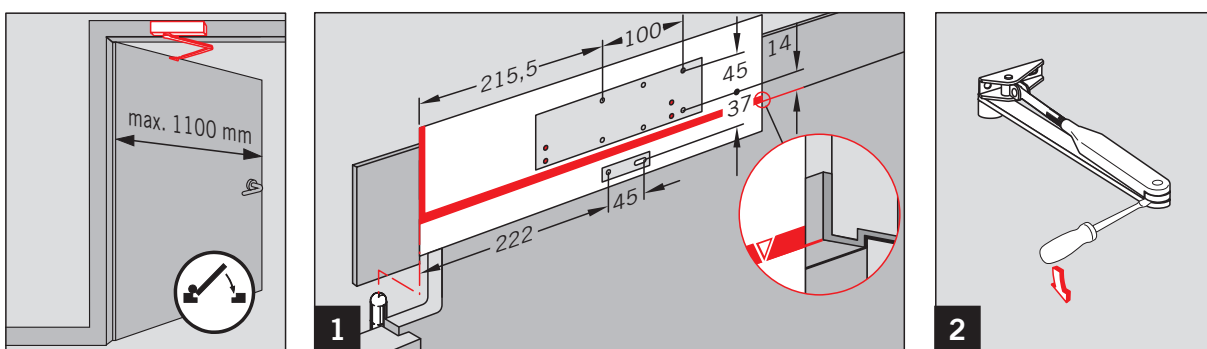
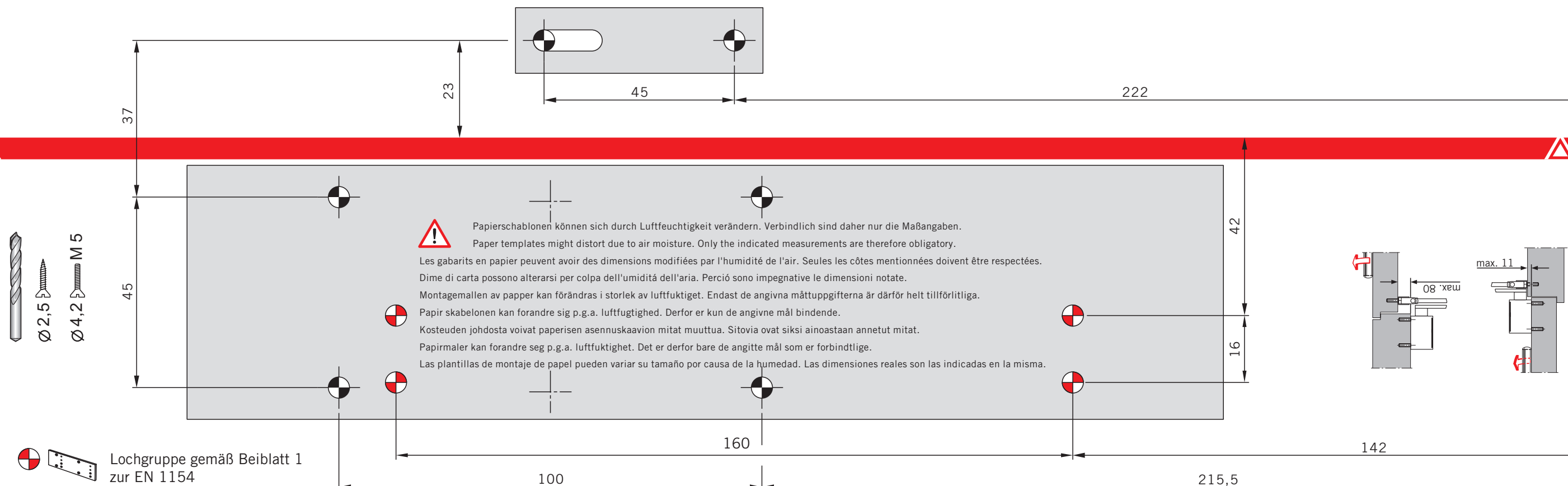




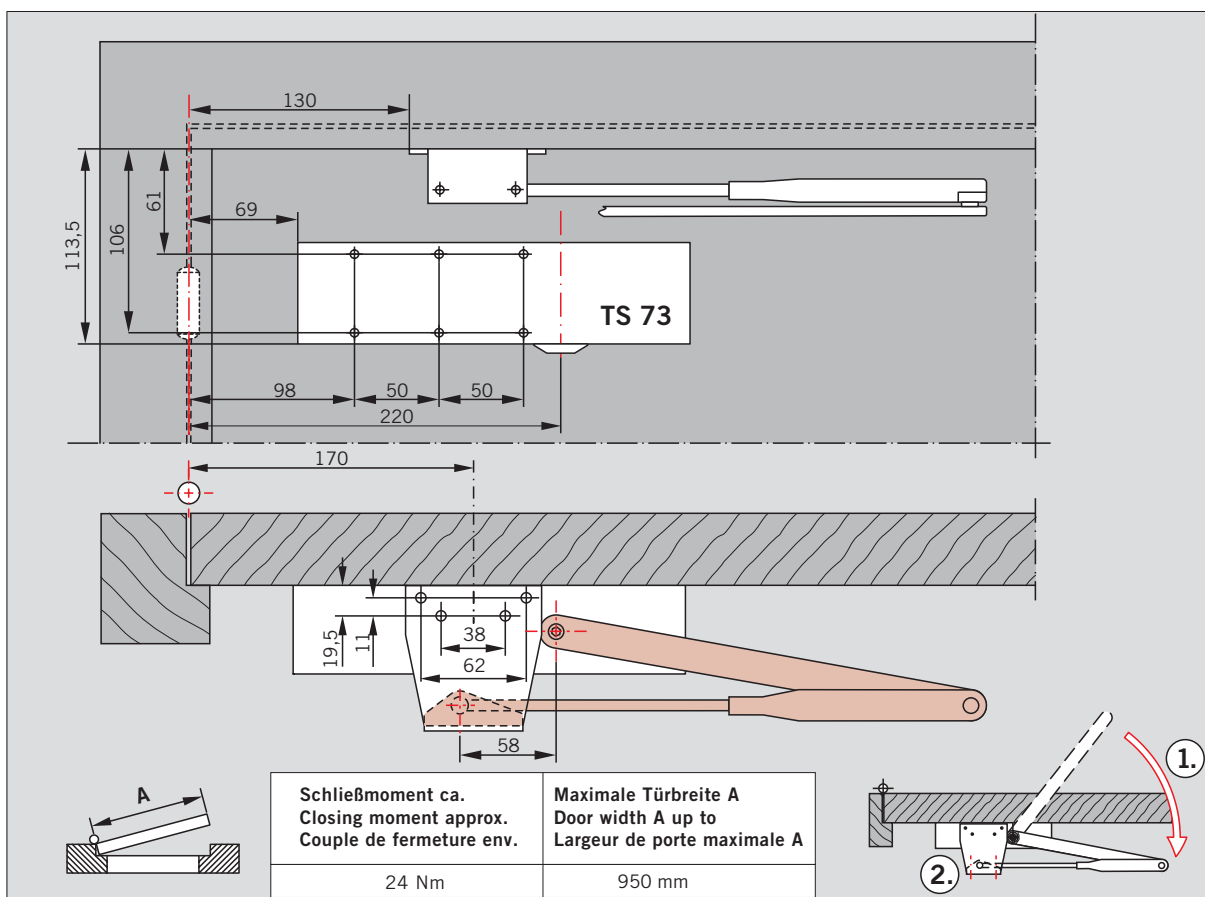
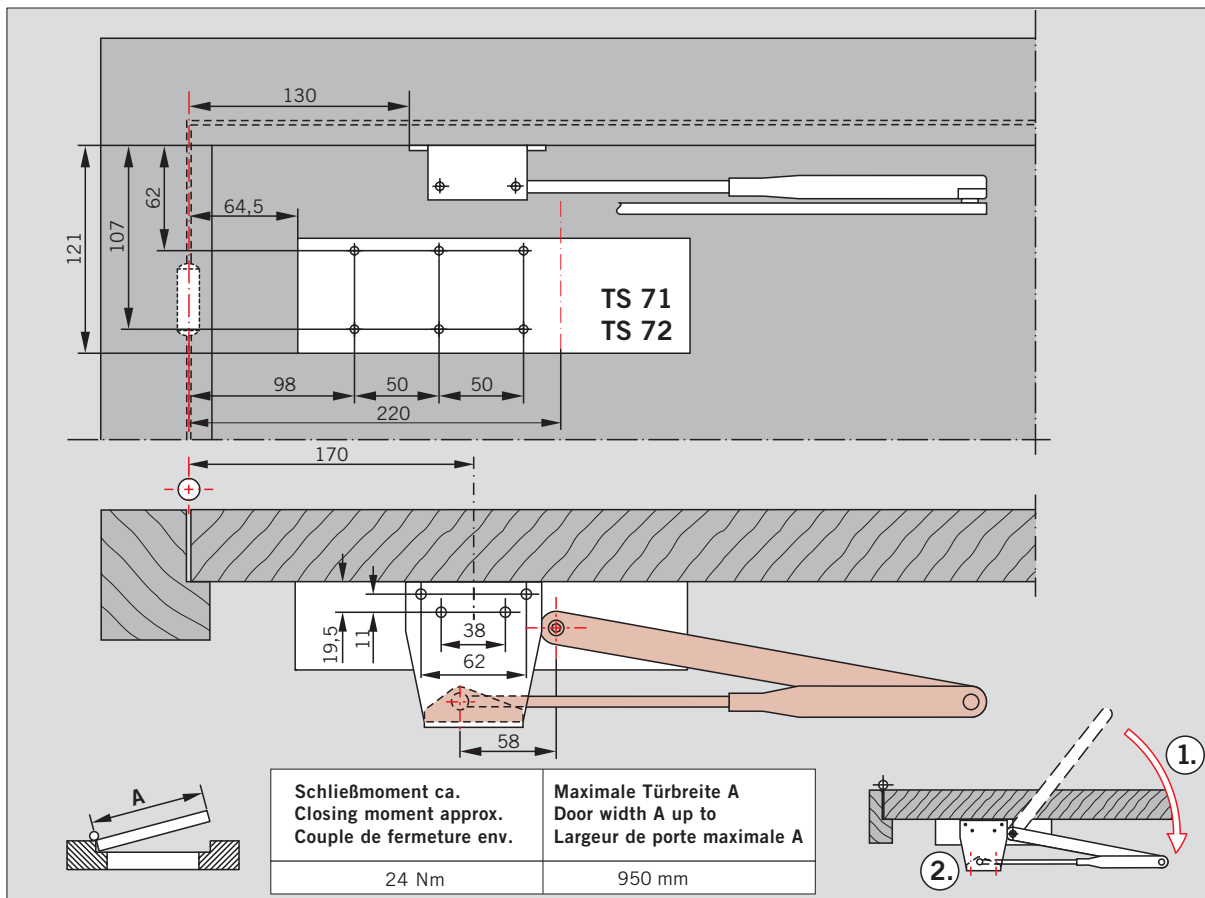
CE	DORMA GmbH + Co. KG Postfach 4009 58 247 Ennepetal 0432 - BPR-0007 EN 1154-1:1996+A1:2002	04	1	1	1	1	4
		1	1	1	1	1	4
		4	8	4	1	1	1
		4	8	4	1	1	1

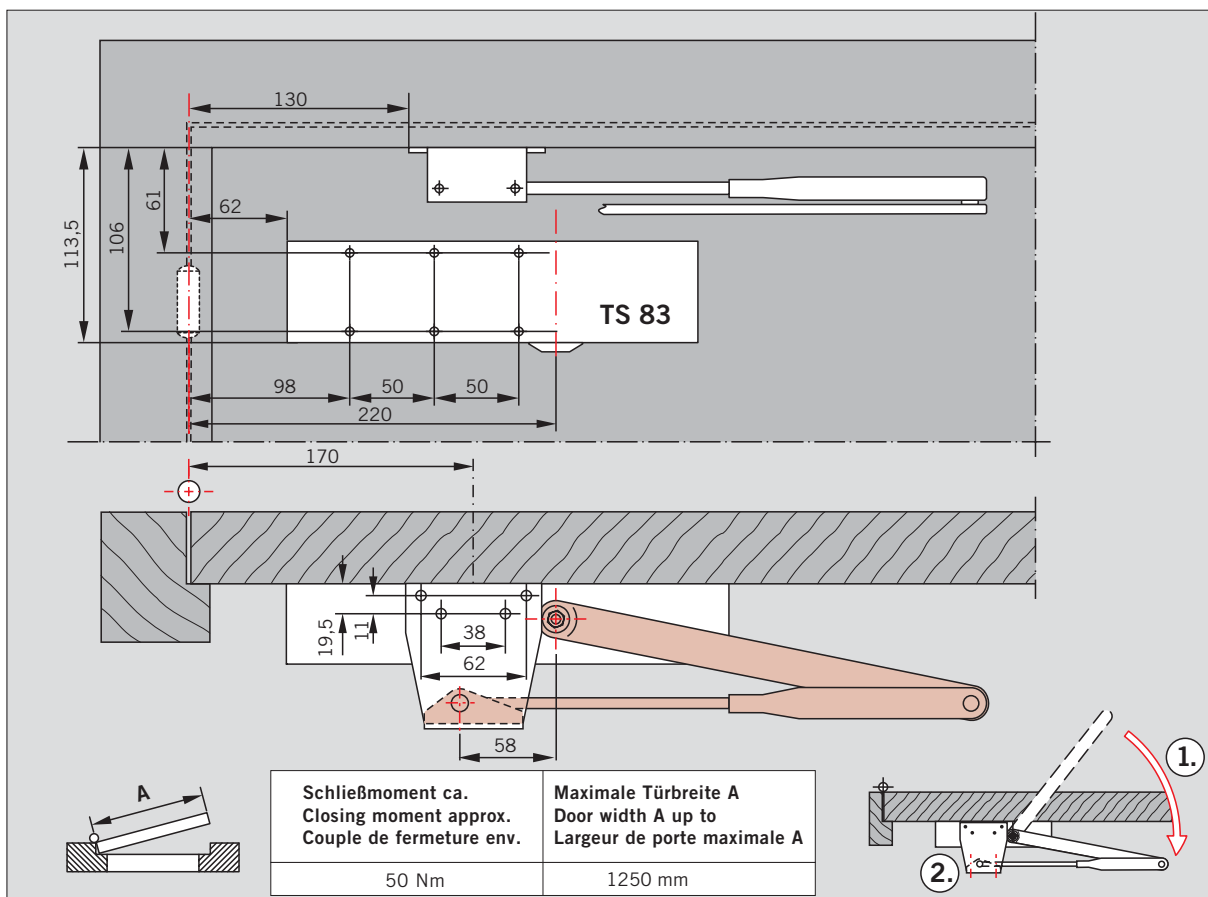
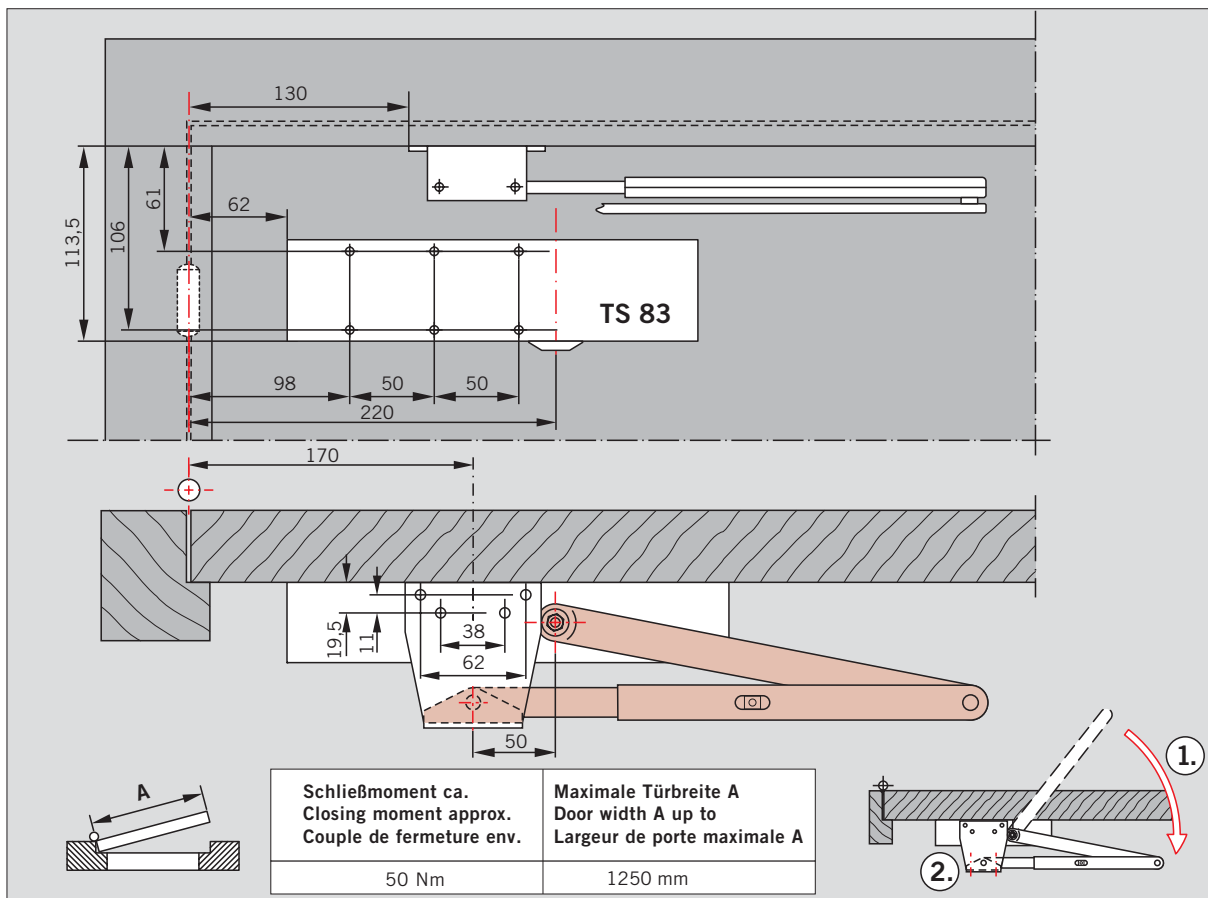
Dangerous substances: None

Änderungen vorbehalten
Subject to change without notice



WN 056357 45532
01/06

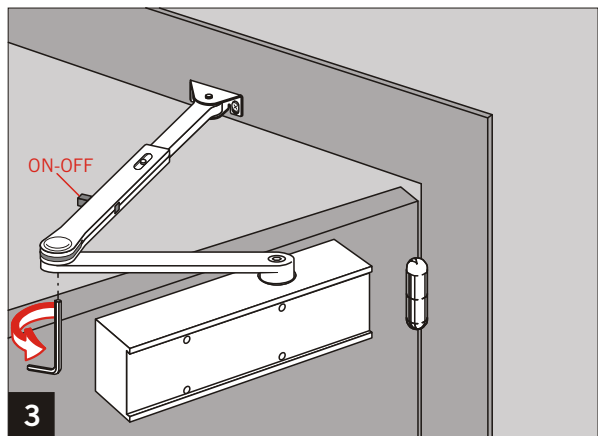
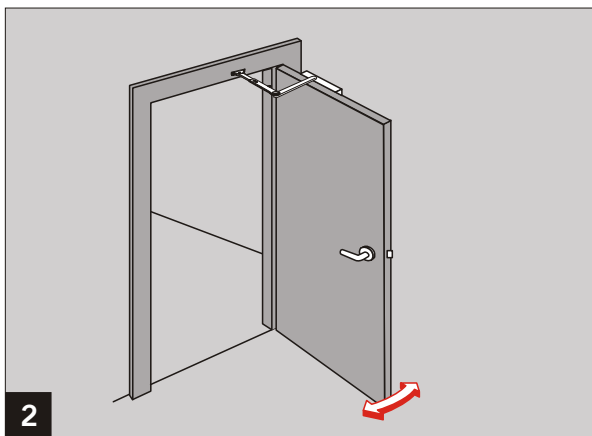
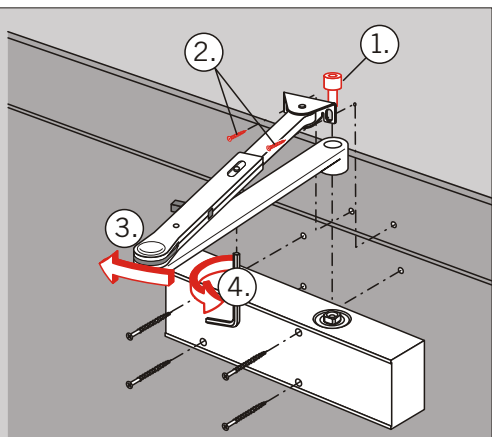
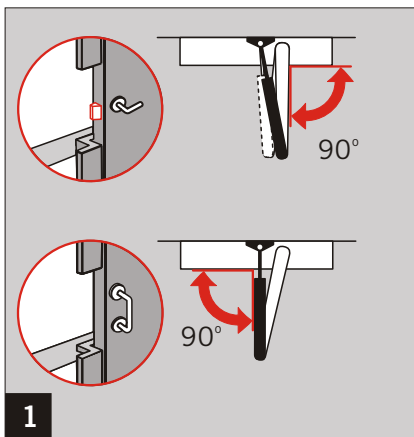
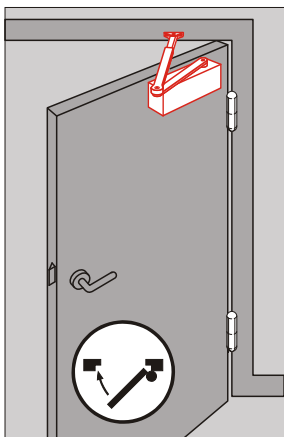
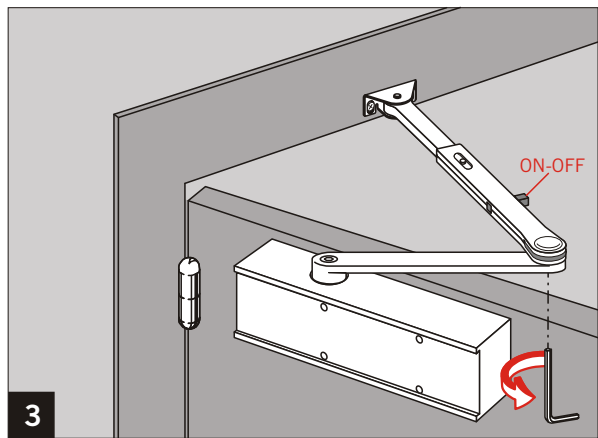
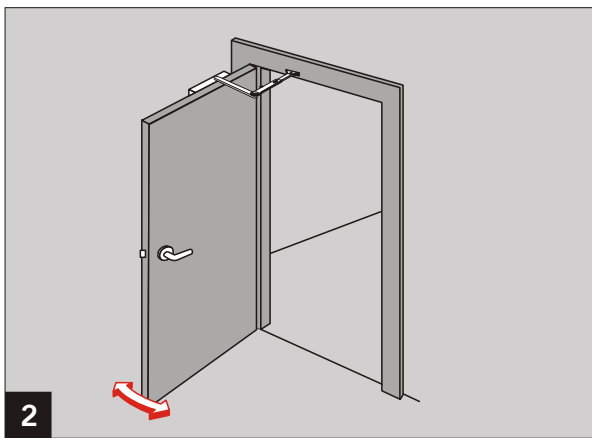
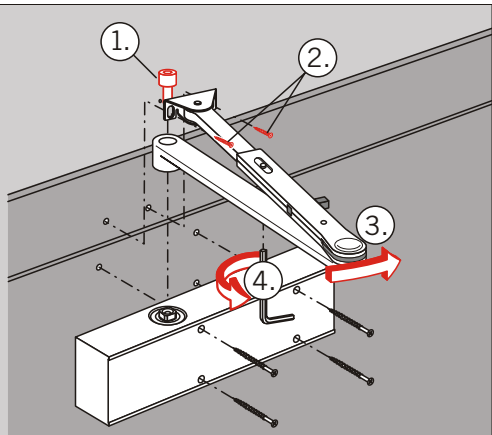
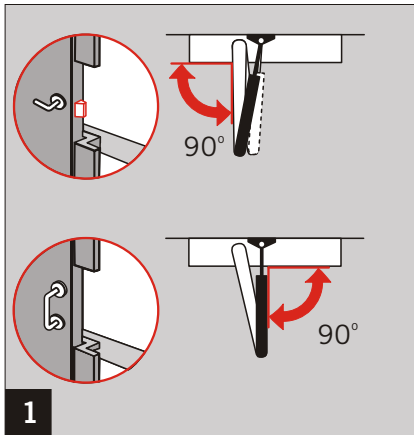
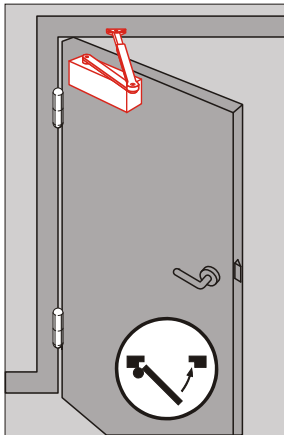


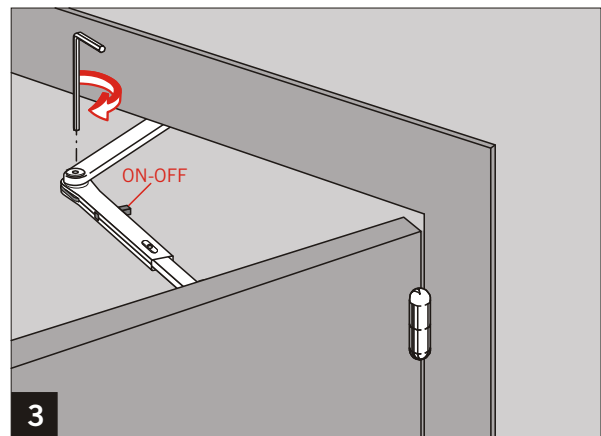
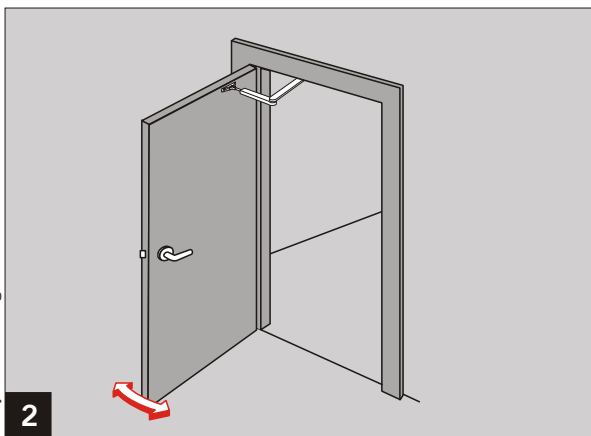
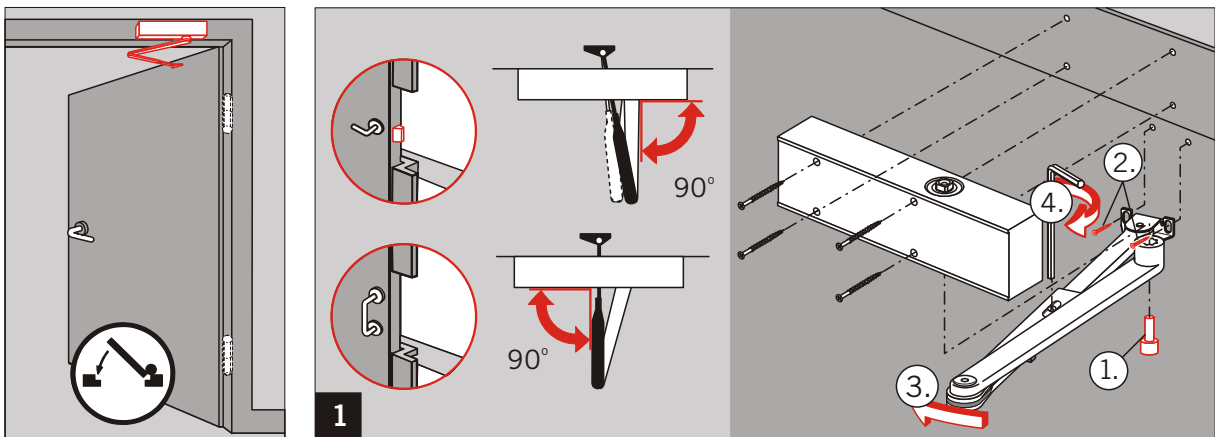
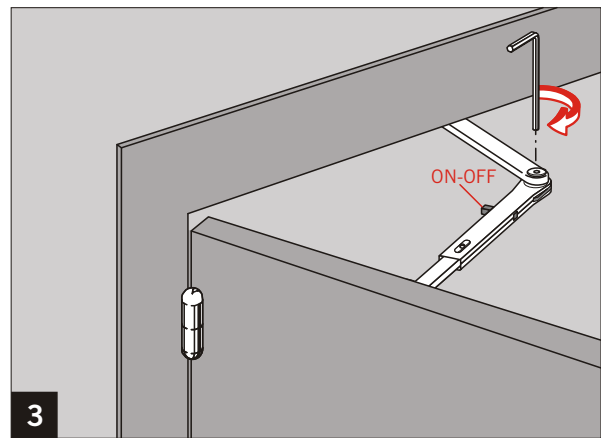
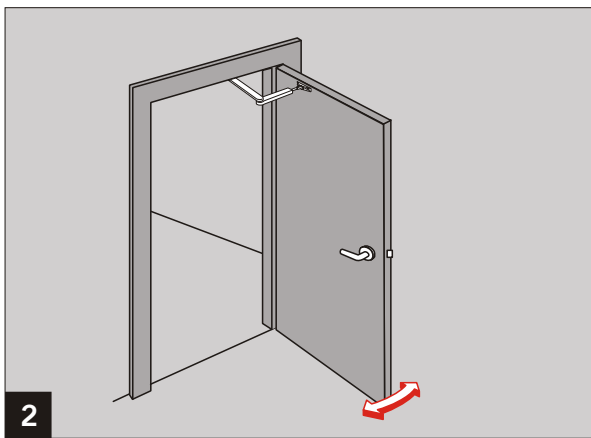
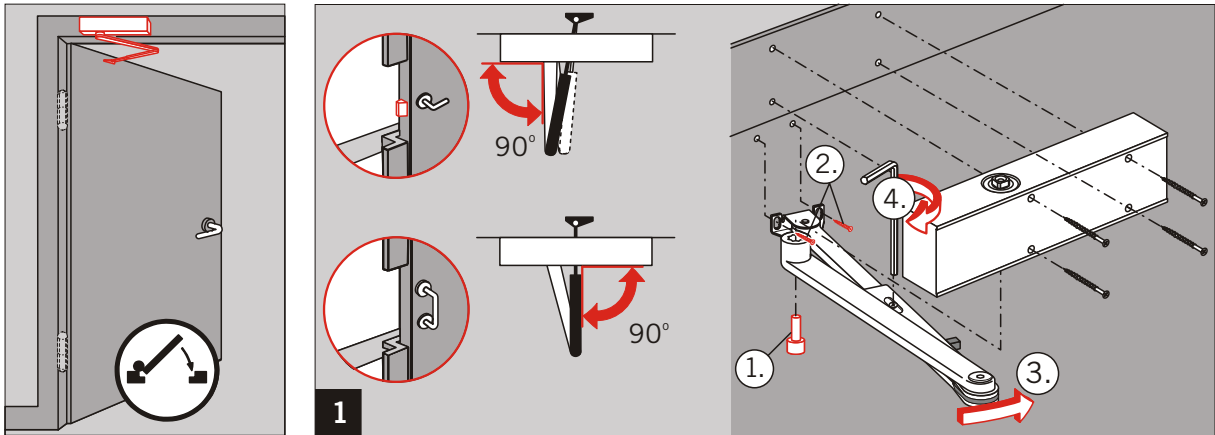


Änderungen vorbehalten
Subject to change without notice



WN 055903 45532
01/06





Änderungen vorbehalten
 Subject to change without notice