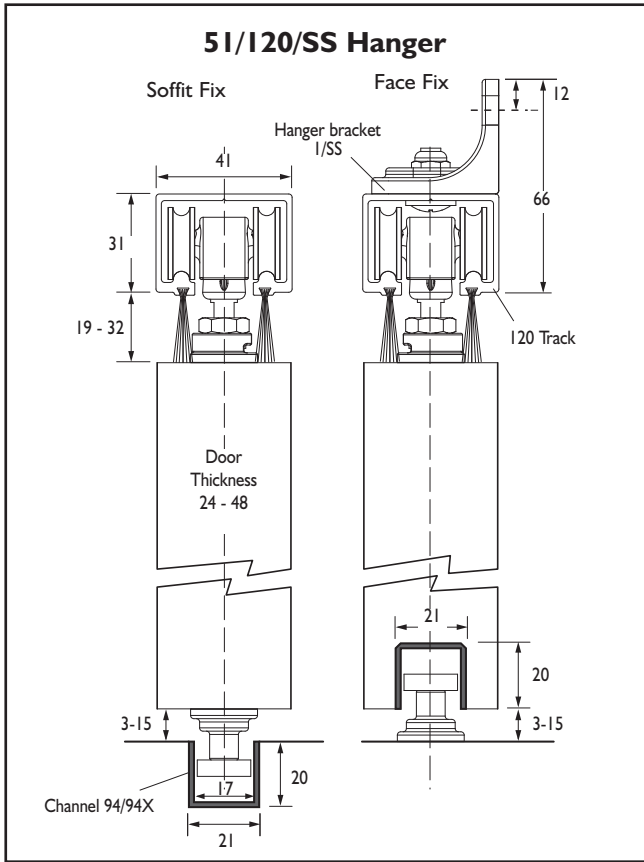


Fitting Instructions (Stainless Steel)



For MDF doors 19-23mm you must use hanger 52/120/SS and for doors 24-48 there is an option of surface mounted or routed (51/120/SS or 57/120/SS)

