

## SENATOR

For top hung sliding doors. Max 30kg.

### APPLICATION

- For entrance doors and doors between rooms
- For timber, timber framed or composite doors
- Silent – nylon guides and hangers on aluminium track
- Floor component – guide only

### DOOR SPECIFICATION

Track System	Senator
For Individual Doors:	
Max Door Weight	30kg
Max Door Width	900mm or 1525mm
Door Thickness	20-35mm
Max Door Height	2400mm

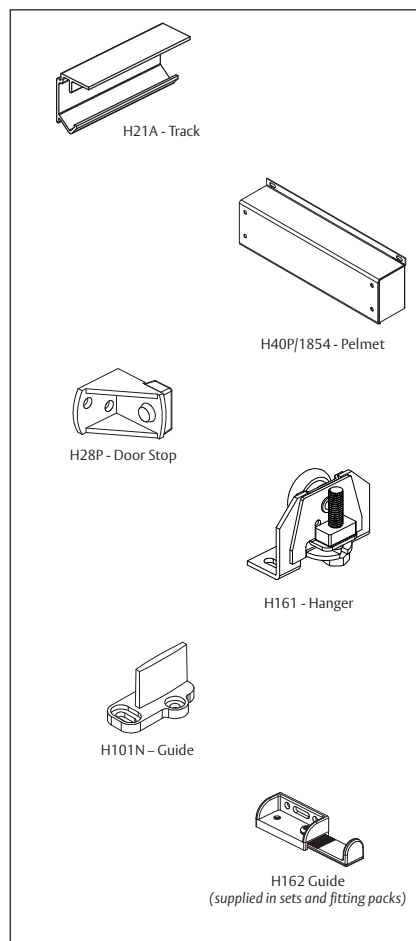
### STANDARD SETS AND PACK

Sets comprise of jump-proof, face/soffit fixing aluminium section track, top fixing hangers, H162 guide, stop, all screws and fitting instructions.

Set No.	Opening width	Hardware for	Track Length
HSP3	900mm	1 door	1800mm
HSP5	1525mm	1 door	3000mm
Pack No.	Application		
HSENSP1	One door fitting kit		

### HARDWARE SPECIFICATION

Track	H21A	Aluminium (3000mm length)
Hangers (2 per door)	H161	Senator hanger <i>Top fixing hangers with ball race nylon tyred wheels for smooth operation. Built in adjustability for ease of installation</i>
Door Stop	H28P	Rubber buffered stop
Guides	H101N H162	Nylon cut saw guide Adjustable floor guide
Accessories		
Pelmet	H40P/1854DP	Pelmet in white on zinc coated steel. <i>Face fixes to wall. Supplied with screw on End Caps. Pelmet length: 1854mm.</i>





H  
E  
N  
D  
E  
R  
S  
O  
N

NOT TO SCALE

