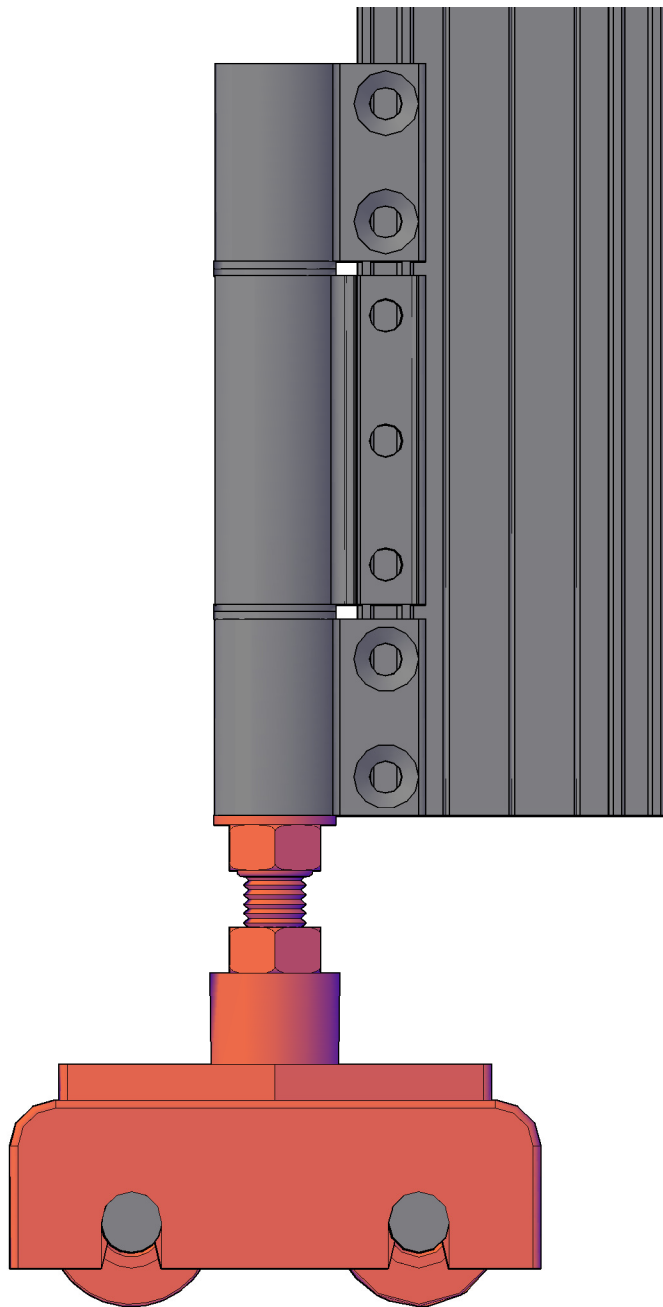
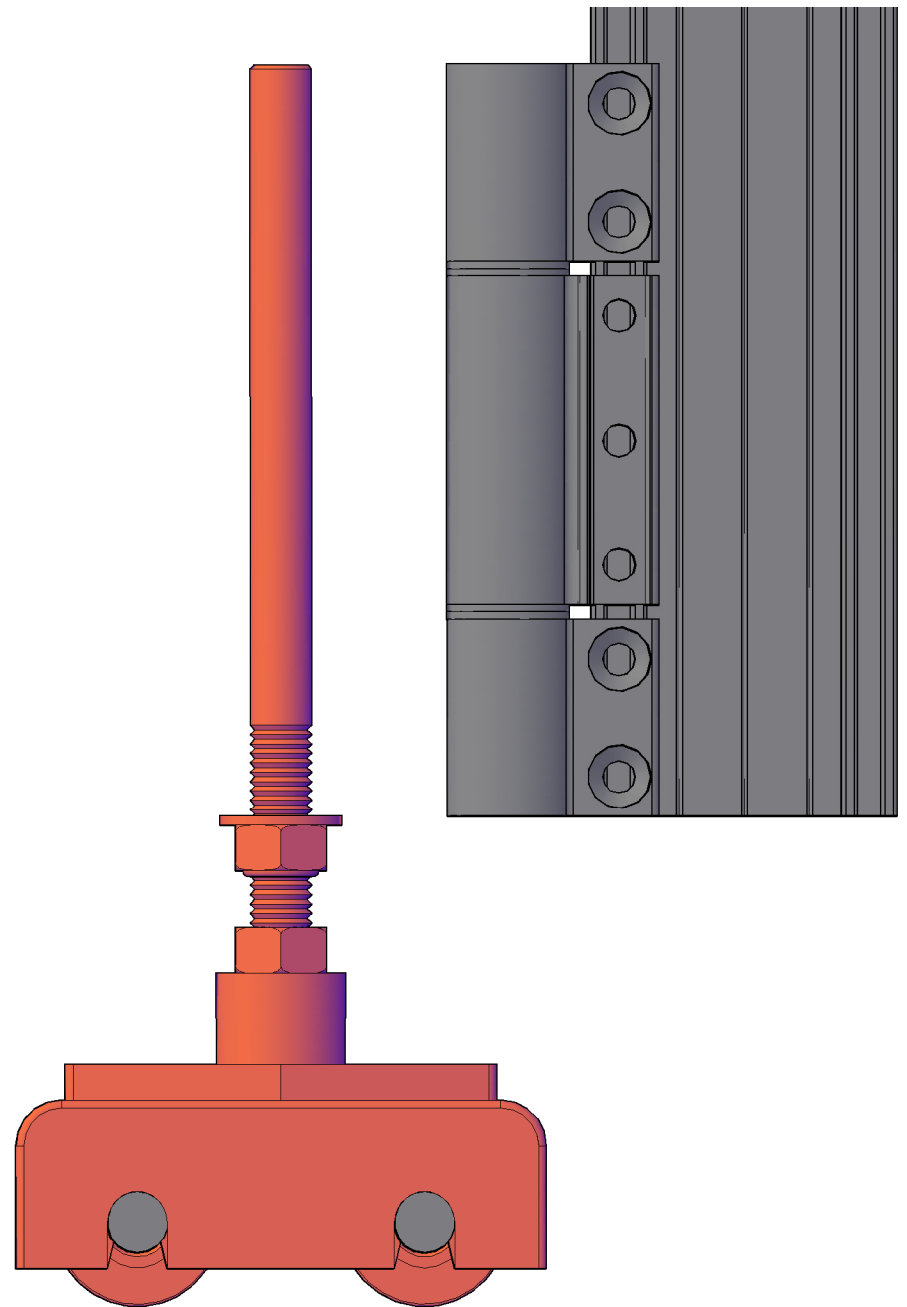


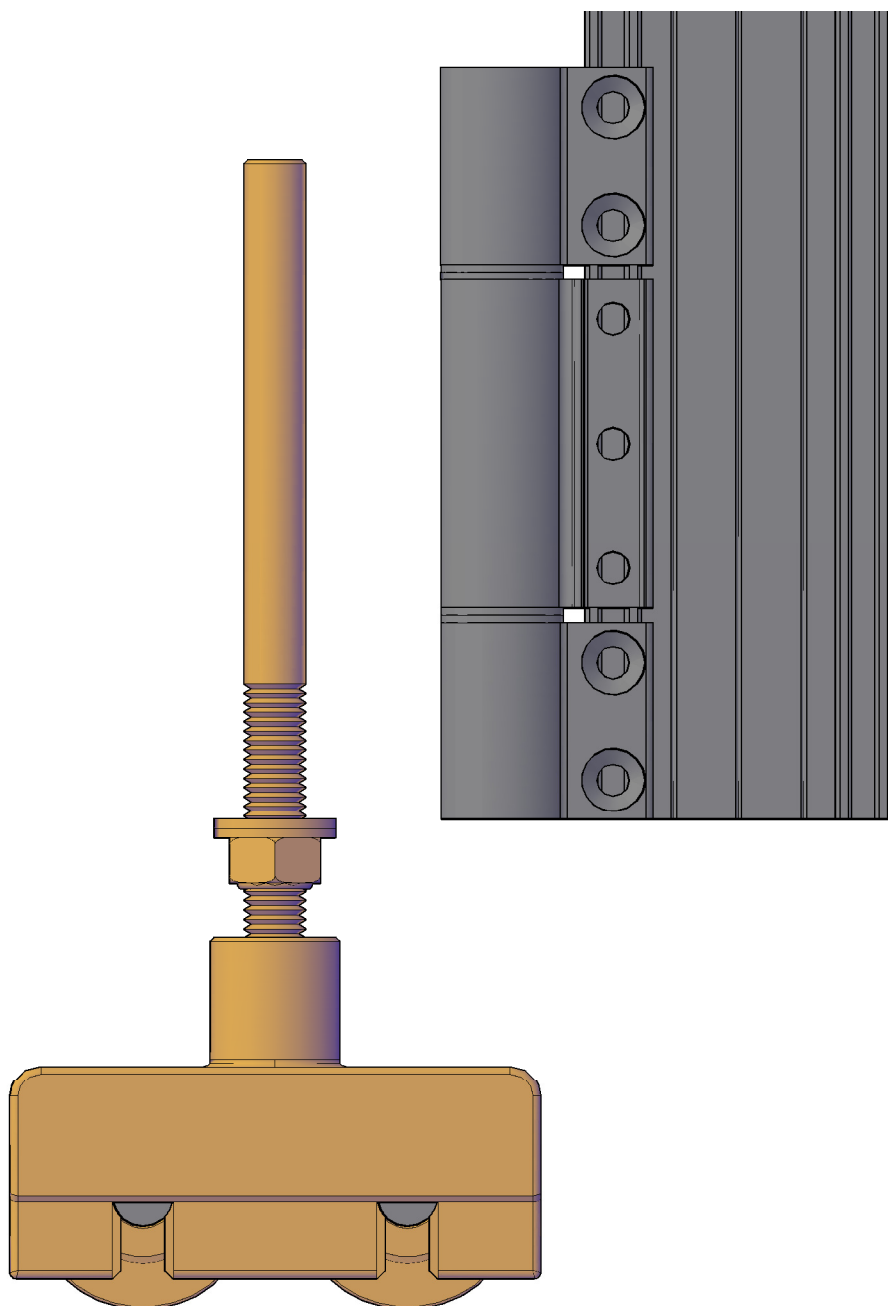
Step 1
Remove panel from frame.



Step 2
Remove faulty AS472, AS477, AS478 double roller gear.
This slides out from the bottom.
Similar with AS475, AS476 single roller gear.



Step 3
Fit new gear BF912 double roller gear. 75kg gear recommended.
Similar with BF920 single roller gear. 75kg gear recommended.



Step 4
Re hang door panel, adjust to suit.

