

Optimum 2-Point Mortice Lock

INTERLOCK™
ASSA ABLOY

ASSA ABLOY, the global leader
in door opening solutions.



The Optimum Mortice Lock offers a new and improved locking system with enhanced furniture options available. When deadlocked, the Optimum 2-Point provides increased security with two points of locking. Made specifically for the New Zealand environment, this is an ideal locking solution.

Features

- Upgraded furniture option (Palladium Xtra) features LockAlert indicator which shows at a glance if the door has been deadlocked
- Upgraded furniture also comes with safety snib for at home security, enabling easy exit if required
- Features 2 points of locking including the latch and deadbolt
- The handing of the lockset is adjusted by reversing the orientation of the latch bolt
- Standard kits are supplied with furniture and keyed cylinder
- Can be keyed alike to other ASSA ABLOY CYL4™ 5-Pin locks for one key convenience
- Stainless steel forend plate
- Adjustable latch projection
- Achieves Australian Standards AS4145: 1993 (Part 2) Security Level S2 and Durability Level D2
- New Zealand made

Options

- Available with 30mm, 40mm or 50mm backset
- Short Throw 2-Point
- Long Throw 2-Point
- Available with standard Verona and Palladium furniture or upgrade to Palladium Xtra with LockAlert and safety snib (pictured)
- Double cylinder, cylinder and turnknob, half cylinder or half turnknob

* Palladium Xtra furniture shown

Optimum

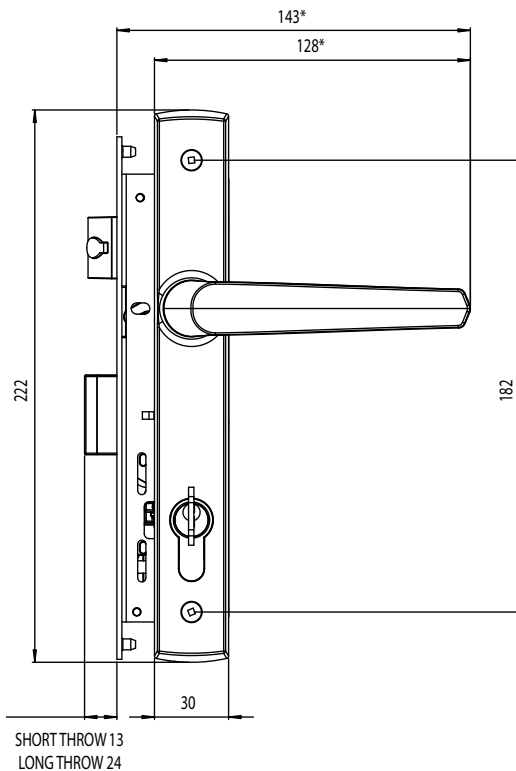
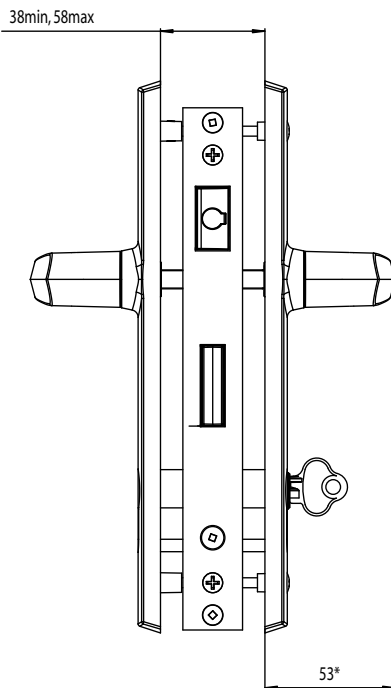
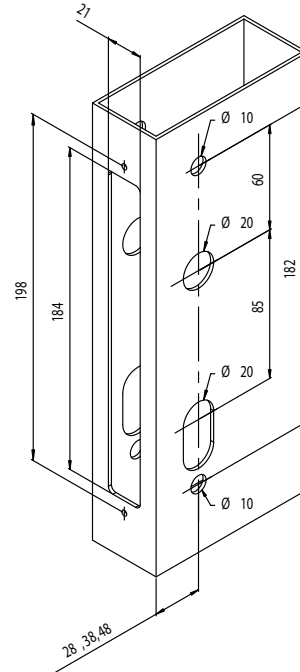
2-Point Mortice Lock

INTERLOCK™

ASSA ABLOY



Palladium
Xtra Furniture
pictured



* Dimensions shown are specific to Aria lever. Other styles may vary.

ASSA ABLOY New Zealand Ltd.
PO Box 100407, North Shore
North Shore City 0745

6 Armstrong Road, Albany
North Shore City 0632
New Zealand

Within New Zealand:
Tel +64 9 415 8031
Fax 0800 478 297
www.assaabloy.co.nz

Outside New Zealand:
Tel +64 9 921 7630
Fax +64 9 921 6504
www.assaabloy.co.nz

ASSA ABLOY, the global leader
in door opening solutions.

EXP-FY-012-0410NZ